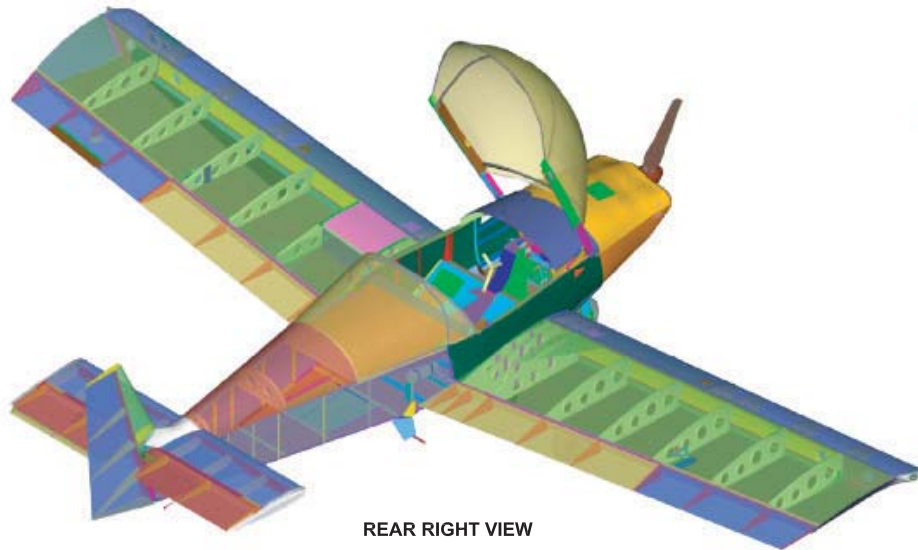


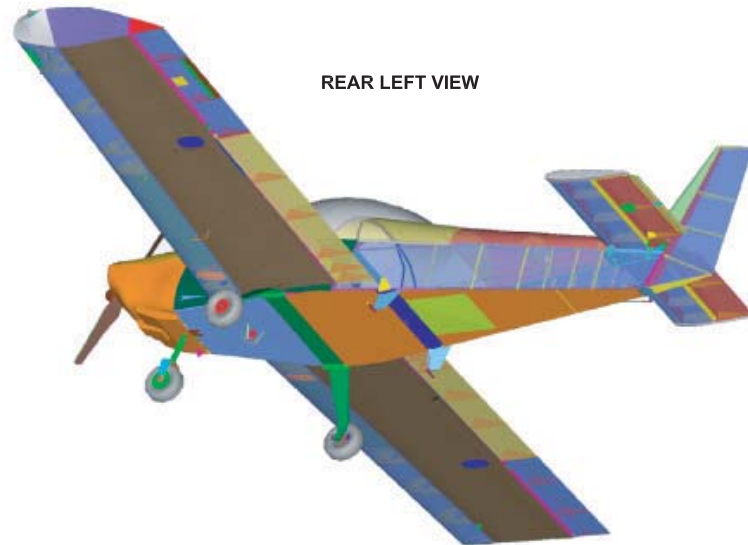
FRONT RIGHT VIEW



REAR RIGHT VIEW

ZODIAC XL Illustrated Parts Catalog

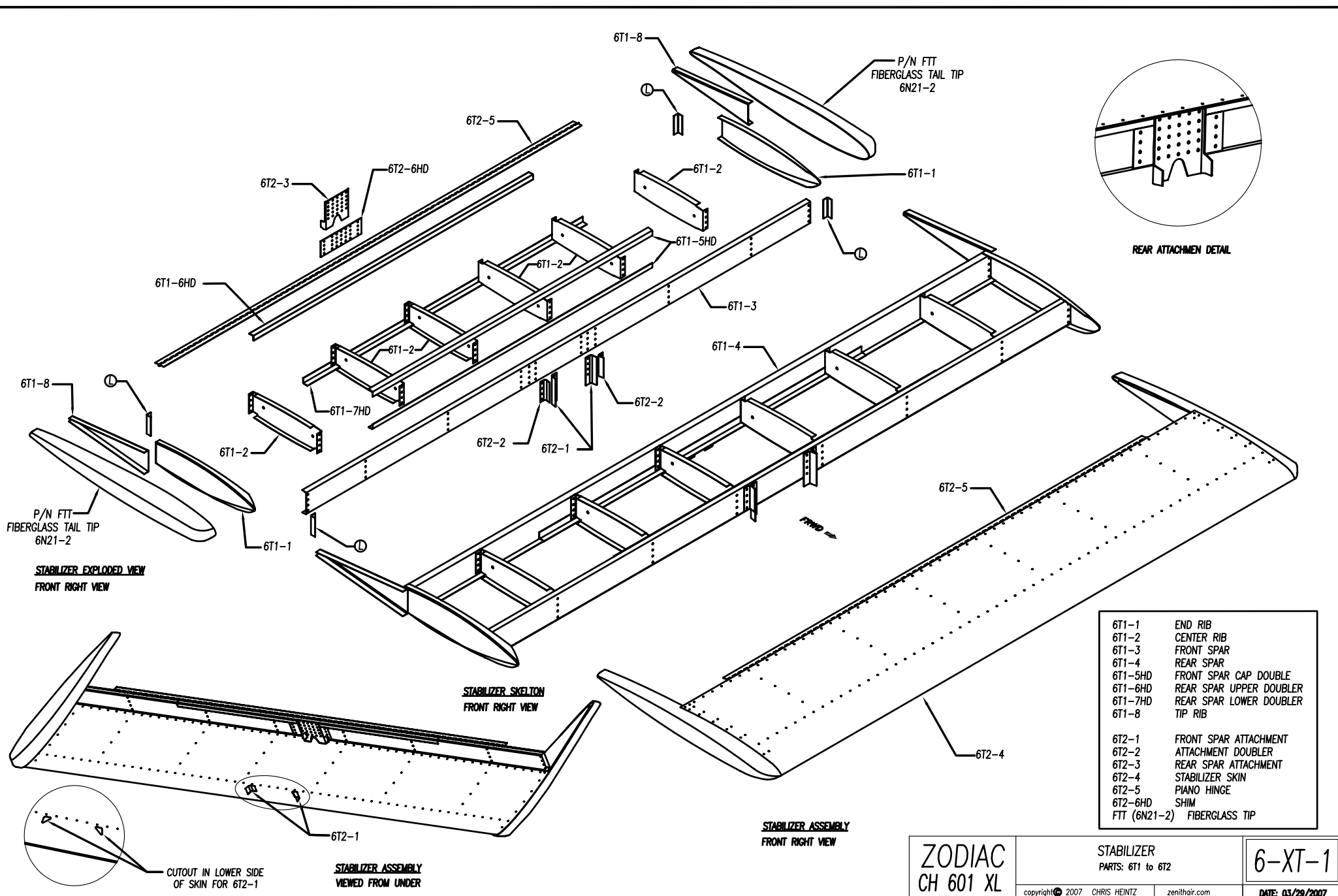
To purchase individual parts, see:
www.zenithair.com/kit/601



REAR LEFT VIEW

This Parts Catalog is a draft version, and is not a replacement of the Drawings and Manuals
All parts, assemblies, and descriptions are subject to change without notice.

ZODIAC CH 601 XL	ZODIAC XL Illustrated Parts Catalog	6-XL
	copyright© 2007 CHRIS HEINTZ zenithair.com	DATE: 03/29/2007



**STABILIZER EXPLODED VIEW
FRONT RIGHT VIEW**

**STABILIZER SKELETON
FRONT RIGHT VIEW**

**STABILIZER ASSEMBLY
VIEWED FROM UNDER**

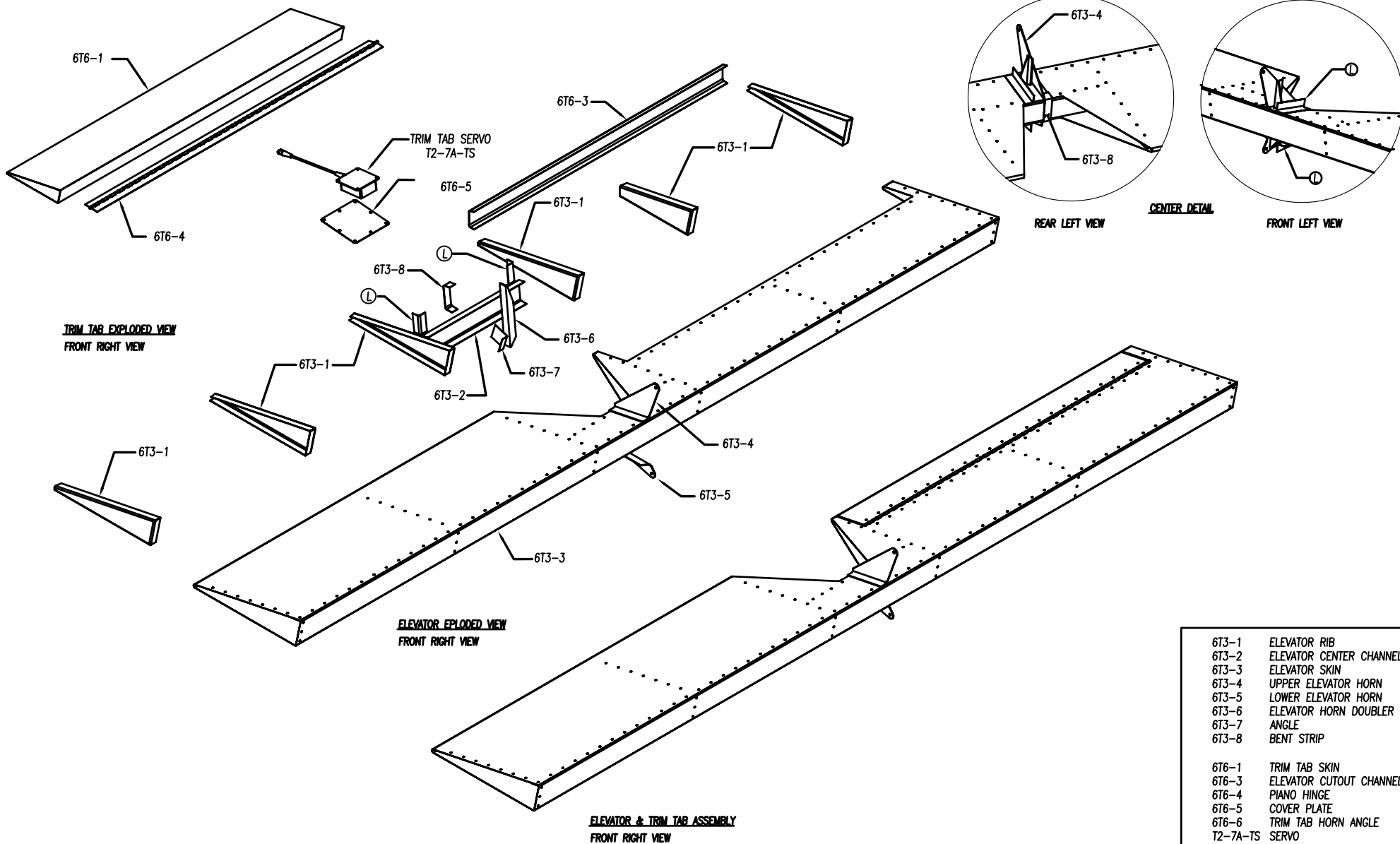
**STABILIZER ASSEMBLY
FRONT RIGHT VIEW**

6T1-1	END RIB
6T1-2	CENTER RIB
6T1-3	FRONT SPAR
6T1-4	REAR SPAR
6T1-5HD	FRONT SPAR CAP DOUBLE
6T1-6HD	REAR SPAR UPPER DOUBLER
6T1-7HD	REAR SPAR LOWER DOUBLER
6T1-8	TIP RIB
6T2-1	FRONT SPAR ATTACHMENT
6T2-2	ATTACHMENT DOUBLER
6T2-3	REAR SPAR ATTACHMENT
6T2-4	STABILIZER SKIN
6T2-5	PIANO HINGE
6T2-6HD	SHIM
FTT (6N21-2)	FIBERGLASS TIP

**ZODIAC
CH 601 XL**

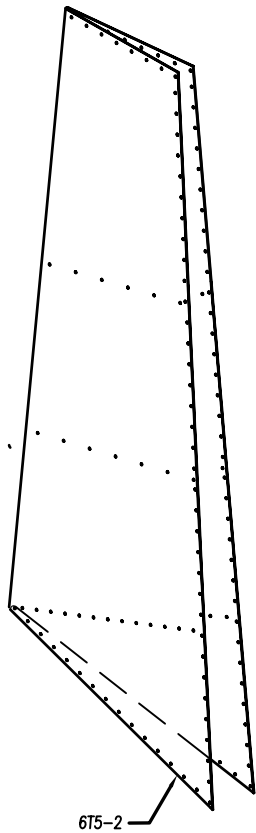
STABILIZER
PARTS: 6T1 to 6T2

6-XT-1

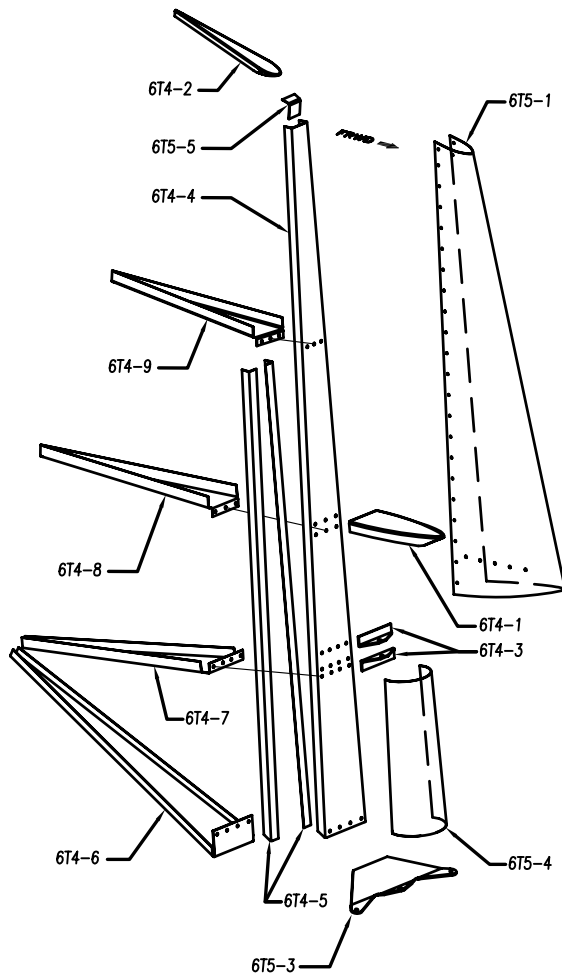


6T3-1	ELEVATOR RIB
6T3-2	ELEVATOR CENTER CHANNEL
6T3-3	ELEVATOR SKIN
6T3-4	UPPER ELEVATOR HORN
6T3-5	LOWER ELEVATOR HORN
6T3-6	ELEVATOR HORN DOUBLER
6T3-7	ANGLE
6T3-8	BENT STRIP
6T6-1	TRIM TAB SKIN
6T6-3	ELEVATOR CUTOUT CHANNEL
6T6-4	PIANO HINGE
6T6-5	COVER PLATE
6T6-6	TRIM TAB HORN ANGLE
T2-7A-TS	SERVO

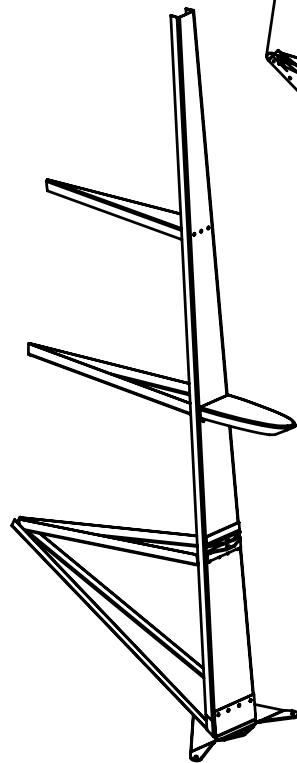
ZODIAC CH 601 XL	ELEVATOR PARTS: 6T3	6-XT-2
	<small>copyright © 2007 CHRIS HEINTZ zenithair.com</small>	



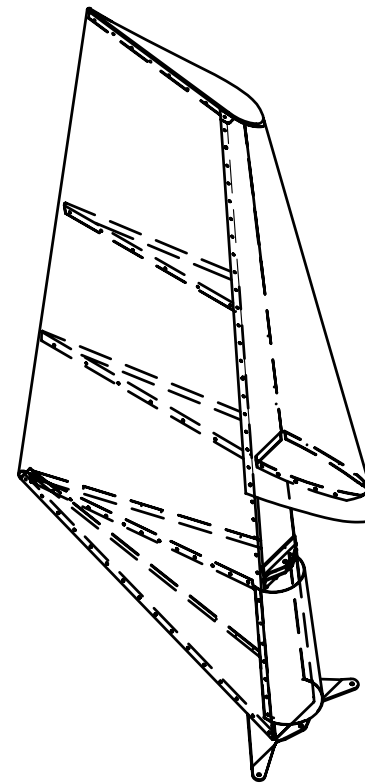
6T5-2



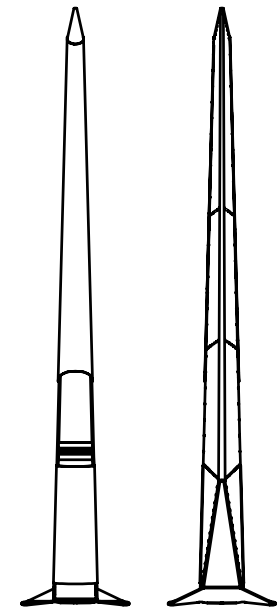
EXPLODED VIEW
FRONT RIGHT VIEW



RUDDER SKELETON
FRONT LEFT VIEW



FRONT RIGHT VIEW



FRONT VIEW

REAR VIEW

6T4-1	NOSE RIB
6T4-2	TIP RIB
6T4-3	UPPER BEARING
6T4-4	VERTICAL TAIL SPAR
6T4-5	DOUBLER ANGLE
6T4-6	REAR RIB #1
6T4-7	REAR RIB #2
6T4-8	REAR RIB #3
6T4-9	REAR RIB #4
6T5-1	LEADING EDGE SKIN
6T5-2	TRAILING EDGE SKIN
6T5-3	VERTICAL TAIL HORN
6T5-4	FAIRING
6T5-5	BENT STRIP

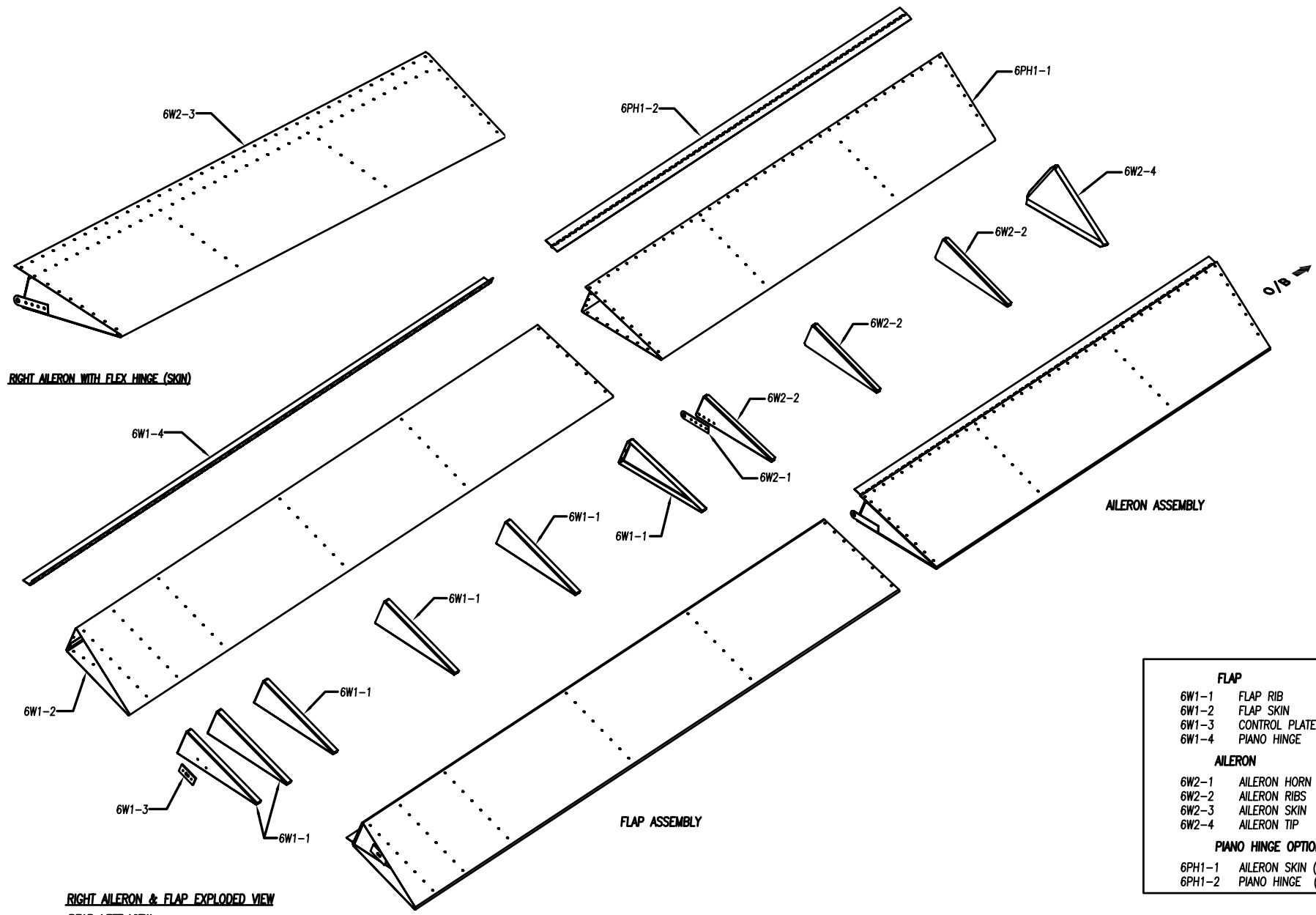
ZODIAC
CH 601 XL

RUDDER
PARTS: 6T4 to 6T6 (SEE 6XT-2)

6-XT-3

copyright © 2007 CHRIS HEINTZ zenithair.com

DATE: 03/29/2007



RIGHT AILERON WITH FLEX HINGE (SKIN)

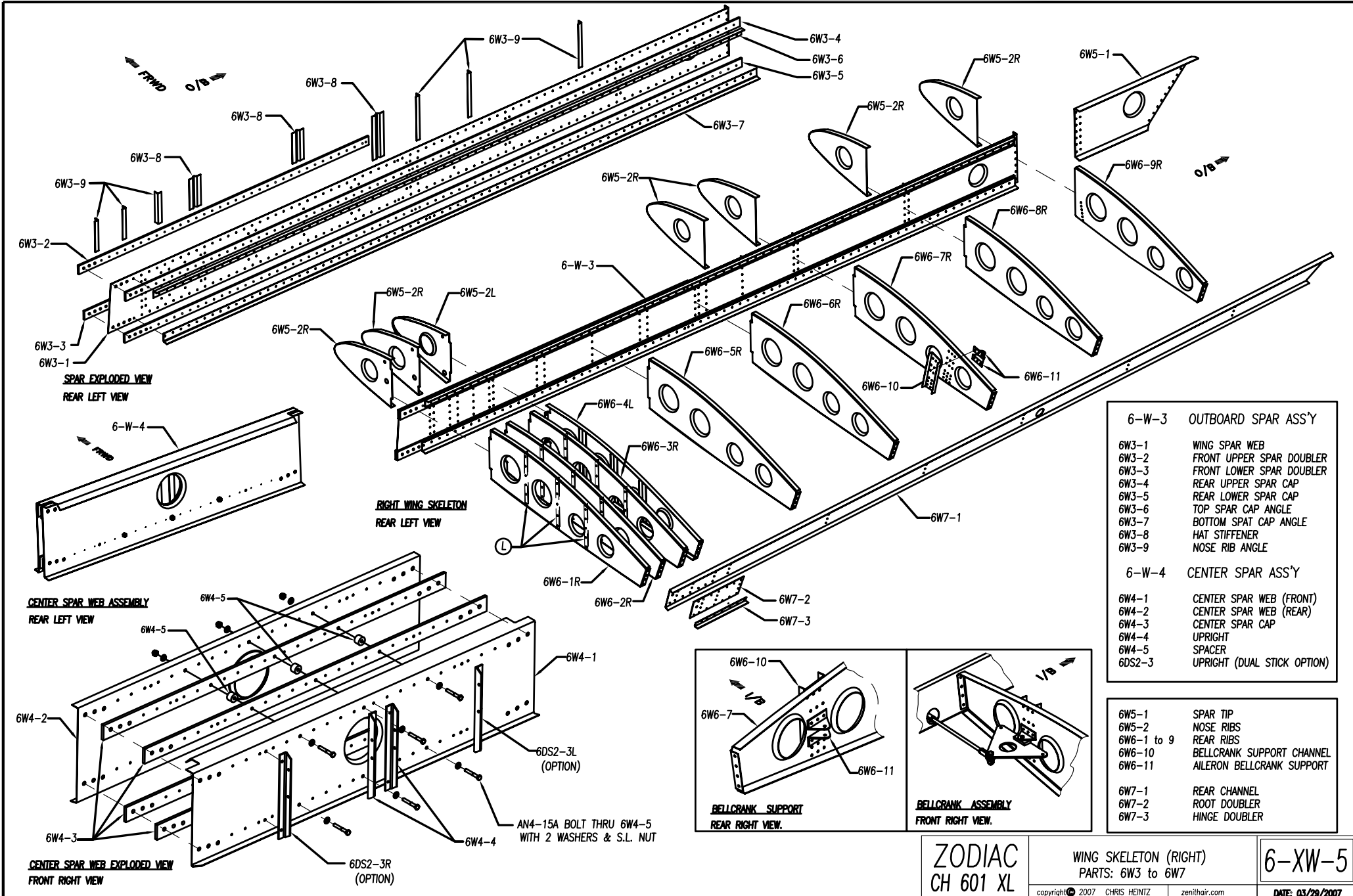
AILERON ASSEMBLY

FLAP ASSEMBLY

**RIGHT AILERON & FLAP EXPLODED VIEW
REAR LEFT VIEW**

FLAP	
6W1-1	FLAP RIB
6W1-2	FLAP SKIN
6W1-3	CONTROL PLATE
6W1-4	PIANO HINGE
AILERON	
6W2-1	AILERON HORN
6W2-2	AILERON RIBS
6W2-3	AILERON SKIN
6W2-4	AILERON TIP
PIANO HINGE OPTION	
6PH1-1	AILERON SKIN (OPTION)
6PH1-2	PIANO HINGE (OPTION)

ZODIAC CH 601 XL	FLAP & AILERON PARTS: 6W1 to 6W2	6-XW-4
	copyright © 2007 CHRIS HEINTZ zenithair.com	DATE: 03/29/2007



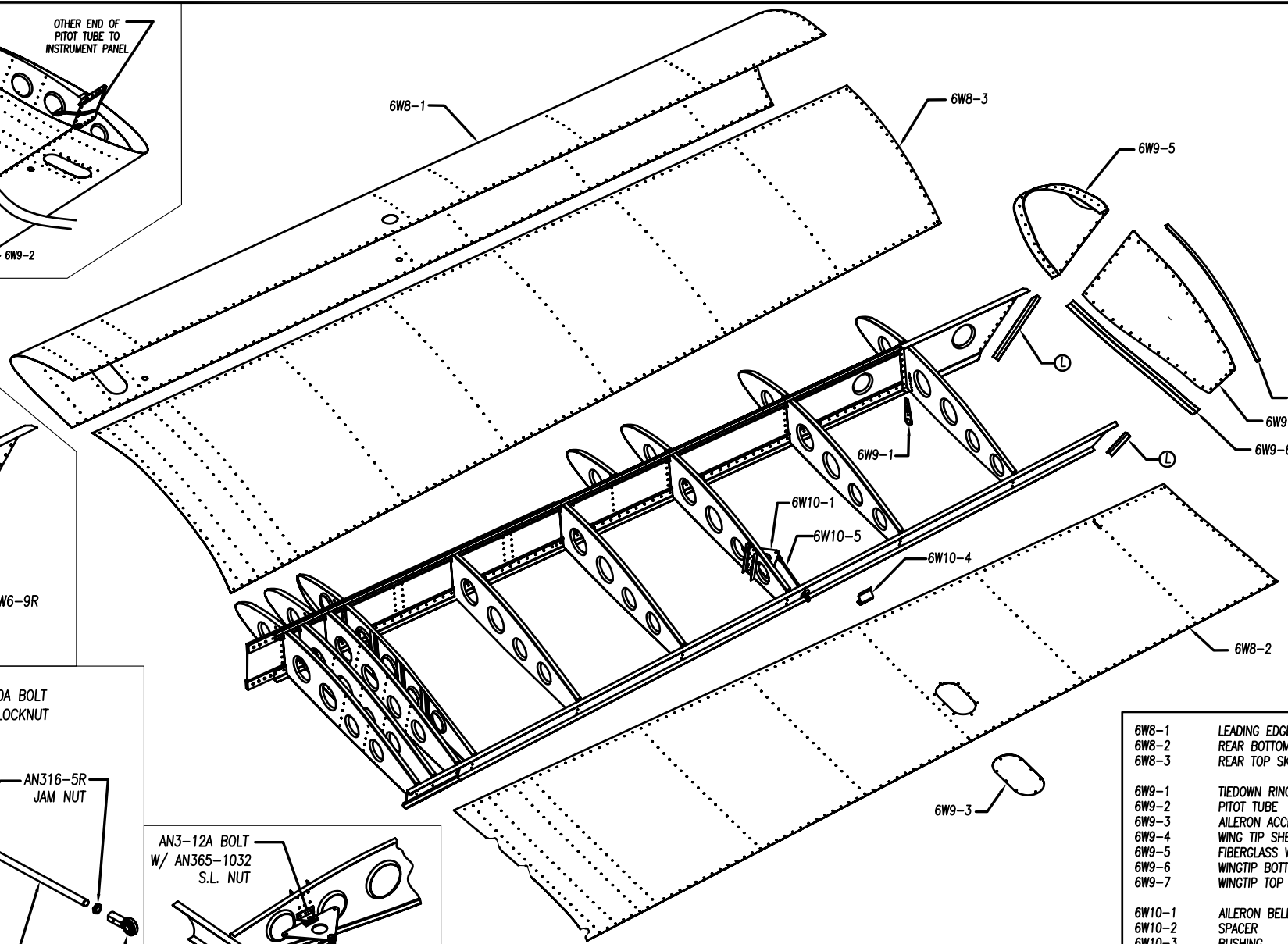
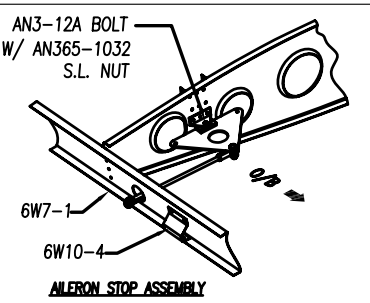
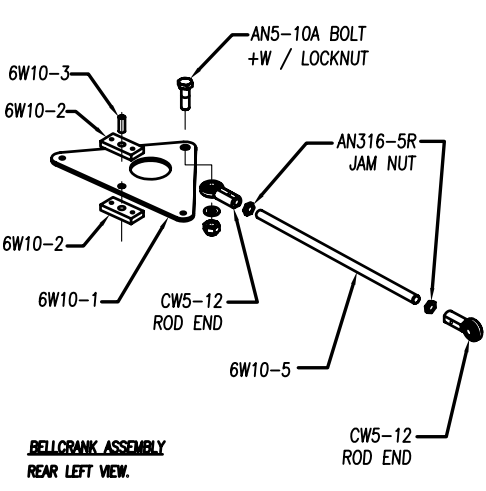
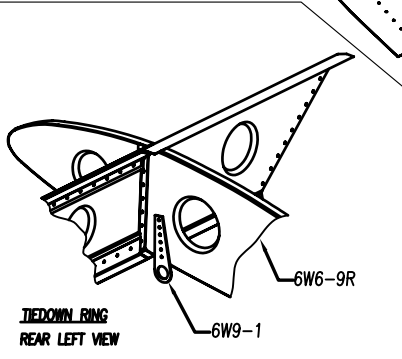
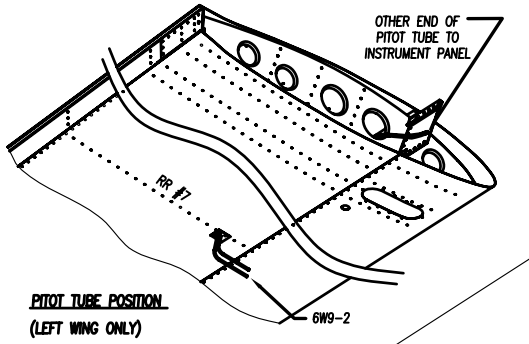
- | | |
|--------|-----------------------------|
| 6-W-3 | OUTBOARD SPAR ASS'Y |
| 6W3-1 | WING SPAR WEB |
| 6W3-2 | FRONT UPPER SPAR DOUBLER |
| 6W3-3 | FRONT LOWER SPAR DOUBLER |
| 6W3-4 | REAR UPPER SPAR CAP |
| 6W3-5 | REAR LOWER SPAR CAP |
| 6W3-6 | TOP SPAR CAP ANGLE |
| 6W3-7 | BOTTOM SPAR CAP ANGLE |
| 6W3-8 | HAT STIFFENER |
| 6W3-9 | NOSE RIB ANGLE |
| 6-W-4 | CENTER SPAR ASS'Y |
| 6W4-1 | CENTER SPAR WEB (FRONT) |
| 6W4-2 | CENTER SPAR WEB (REAR) |
| 6W4-3 | CENTER SPAR CAP |
| 6W4-4 | UPRICHT |
| 6W4-5 | SPACER |
| 6DS2-3 | UPRICHT (DUAL STICK OPTION) |

- | | |
|------------|---------------------------|
| 6W5-1 | SPAR TIP |
| 6W5-2 | NOSE RIBS |
| 6W6-1 to 9 | REAR RIBS |
| 6W6-10 | BELLCRANK SUPPORT CHANNEL |
| 6W6-11 | AILERON BELLCRANK SUPPORT |
| 6W7-1 | REAR CHANNEL |
| 6W7-2 | ROOT DOUBLER |
| 6W7-3 | HINGE DOUBLER |

ZODIAC
CH 601 XL

WING SKELETON (RIGHT)
PARTS: 6W3 to 6W7

6-XW-5

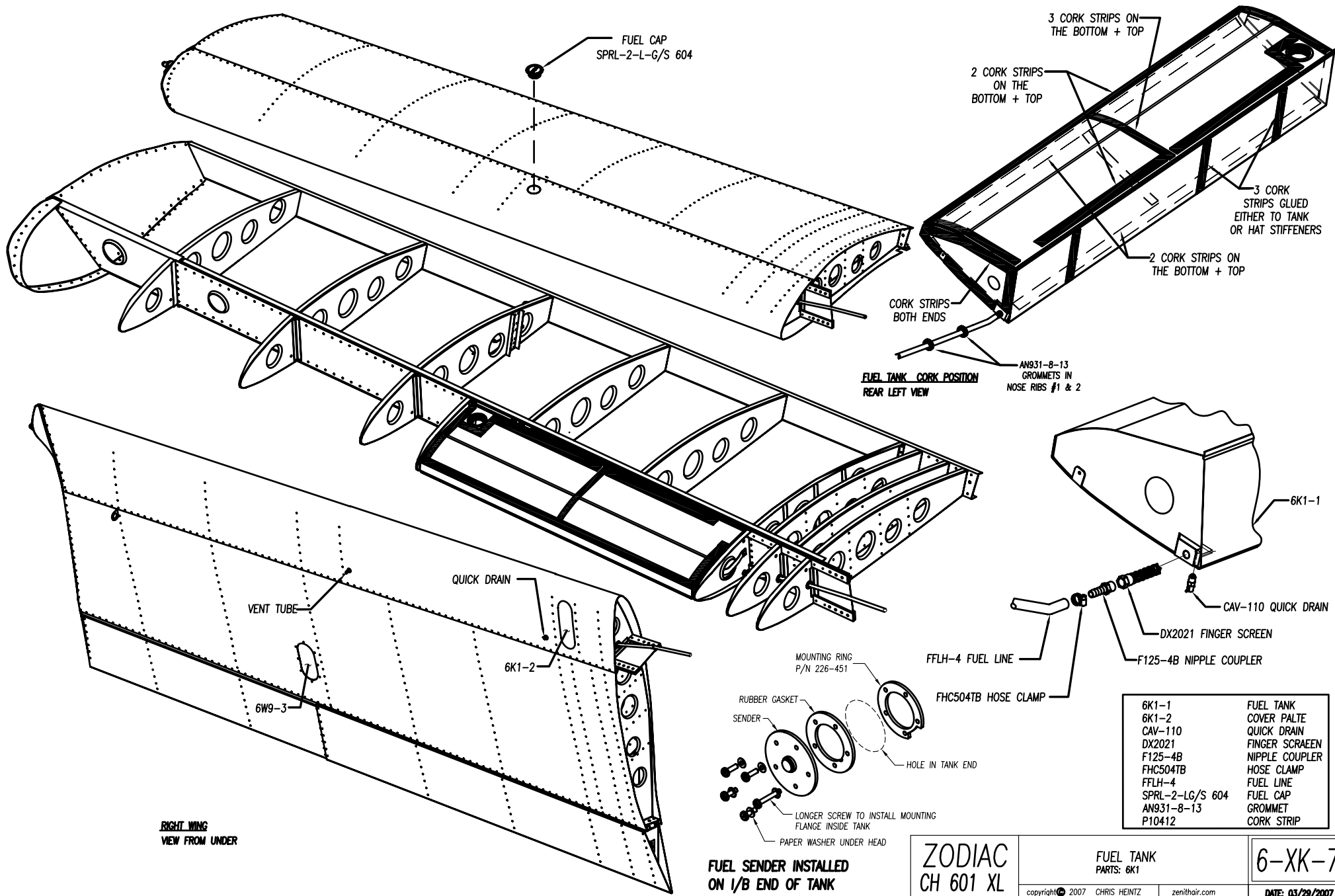


RIGHT WING EXPLODED VIEW
REAR LEFT VIEW

6W8-1	LEADING EDGE SKIN
6W8-2	REAR BOTTOM SKIN
6W8-3	REAR TOP SKIN
6W9-1	TIEDOWN RING
6W9-2	PITOT TUBE
6W9-3	AILERON ACCESS COVER
6W9-4	WING TIP SHEET
6W9-5	FIBERGLASS WING TIP
6W9-6	WINGTIP BOTTOM ANGLE
6W9-7	WINGTIP TOP ANGLE
6W10-1	AILERON BELLCRANK
6W10-2	SPACER
6W10-3	BUSHING
6W10-4	AILERON STOP
6W10-5	THREADED STEEL ROD

ZODIAC
CH 601 XL

WING SKINS		6-XW-6
PARTS: 6W8 to 6W10		
copyright © 2007 CHRIS HEINTZ	zenithair.com	DATE: 03/29/2007



FUEL CAP
SPRL-2-L-G/S 604

3 CORK STRIPS ON
THE BOTTOM + TOP

2 CORK STRIPS
ON THE
BOTTOM + TOP

3 CORK
STRIPS GLUED
EITHER TO TANK
OR HAT STIFFENERS

2 CORK STRIPS ON
THE BOTTOM + TOP

CORK STRIPS
BOTH ENDS

FUEL TANK CORK POSITION
REAR LEFT VIEW

AN931-8-13
GROMMETS IN
NOSE RIBS #1 & 2

6K1-1

QUICK DRAIN

VENT TUBE

6K1-2

6W9-3

MOUNTING RING
P/N 226-451

FFLH-4 FUEL LINE

CAV-110 QUICK DRAIN

DX2021 FINGER SCREEN

F125-4B NIPPLE COUPLER

FHC504TB HOSE CLAMP

RUBBER GASKET

SENDER

HOLE IN TANK END

LONGER SCREW TO INSTALL MOUNTING
FLANGE INSIDE TANK

PAPER WASHER UNDER HEAD

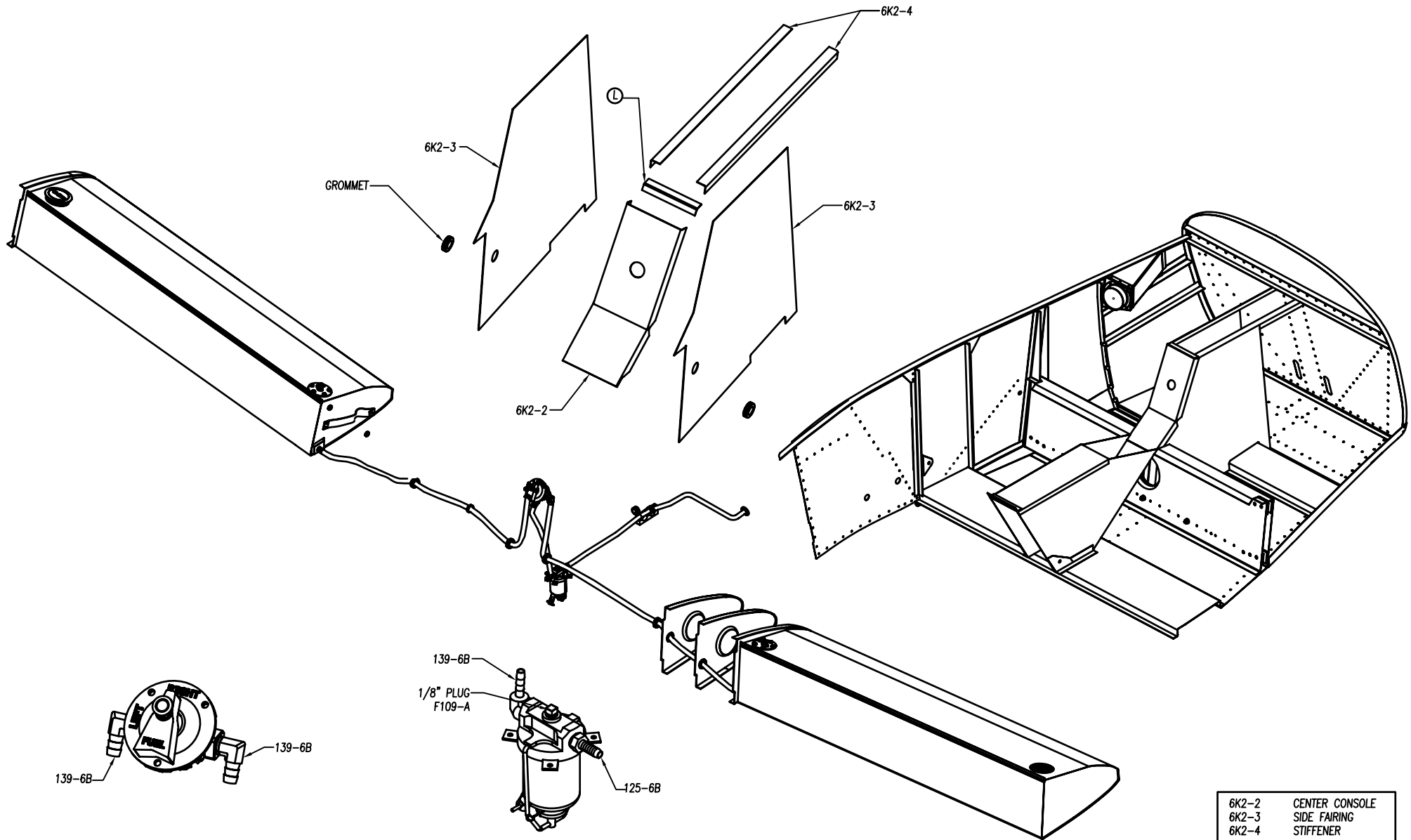
6K1-1	FUEL TANK COVER PALTE
6K1-2	COVER PALTE
CAV-110	QUICK DRAIN
DX2021	FINGER SCRAEEN
F125-4B	NIPPLE COUPLER
FHC504TB	HOSE CLAMP
FFLH-4	FUEL LINE
SPRL-2-LG/S 604	FUEL CAP
AN931-8-13	GROMMET
P10412	CORK STRIP

RIGHT WING
VIEW FROM UNDER

FUEL SENDER
ON 1/8 END OF TANK

ZODIAC
CH 601 XL

FUEL TANK PARTS: 6K1	6-XK-7
copyright © 2007 CHRIS HEINTZ zenithair.com	DATE: 03/29/2007



6K2-2	CENTER CONSOLE
6K2-3	SIDE FAIRING
6K2-4	STIFFENER

3 WAY FUEL SELECTOR
FS20X2-F

GASCOLAOR
P/N: A1058-T

ZODIAC
CH 601 XL

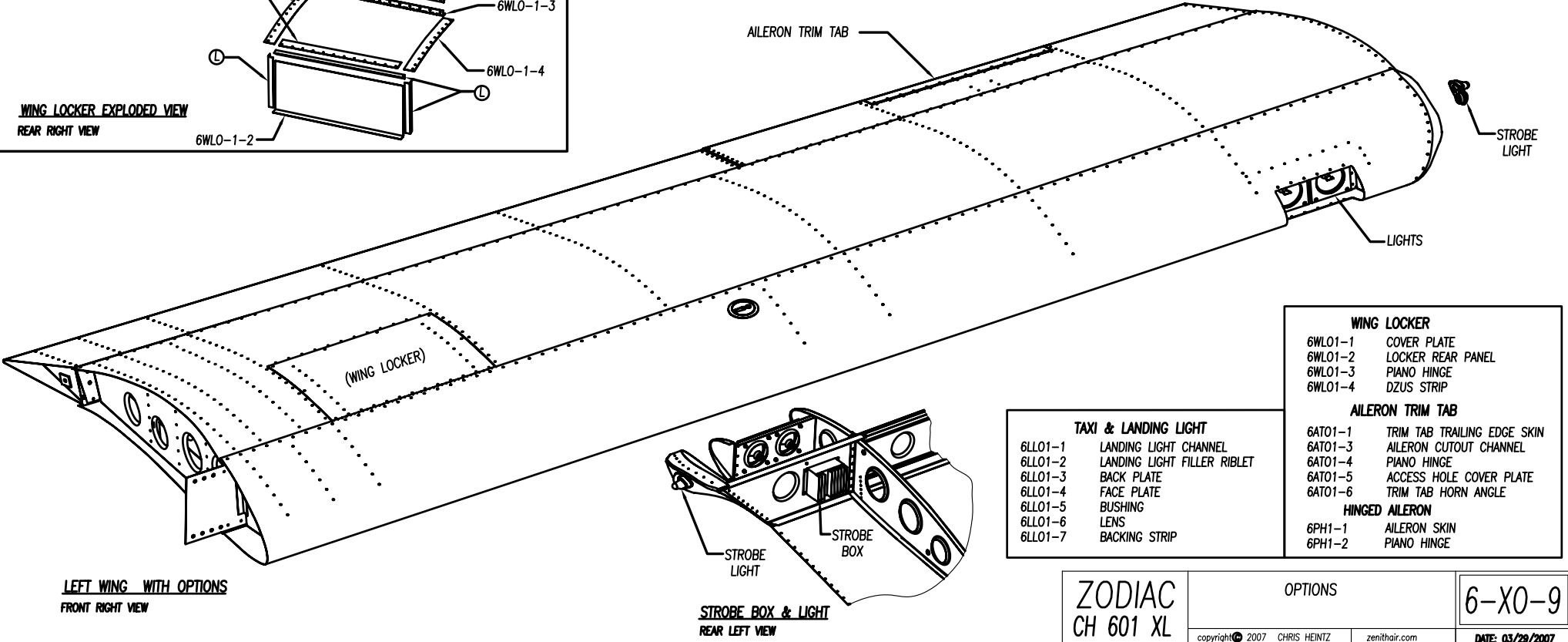
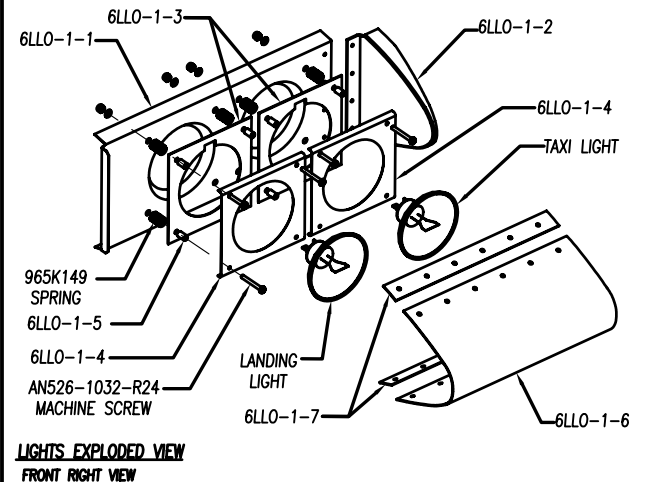
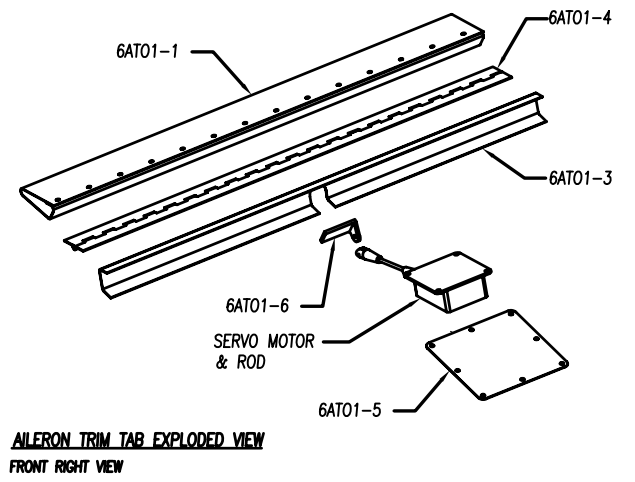
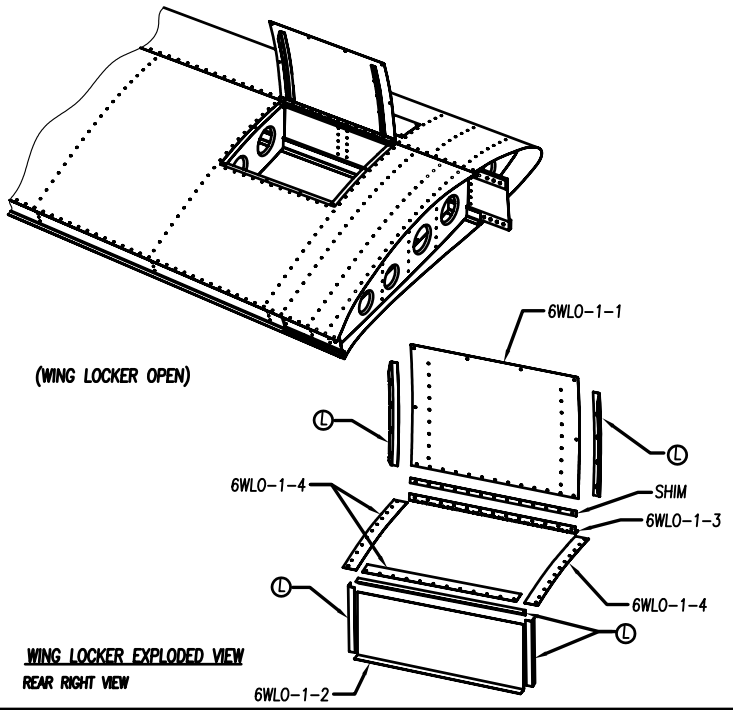
FUEL LINE SYSTEM

PARTS: 6K2

copyright © 2007 CHRIS HEINTZ zenithair.com

6-XK-8

DATE: 03/29/2007

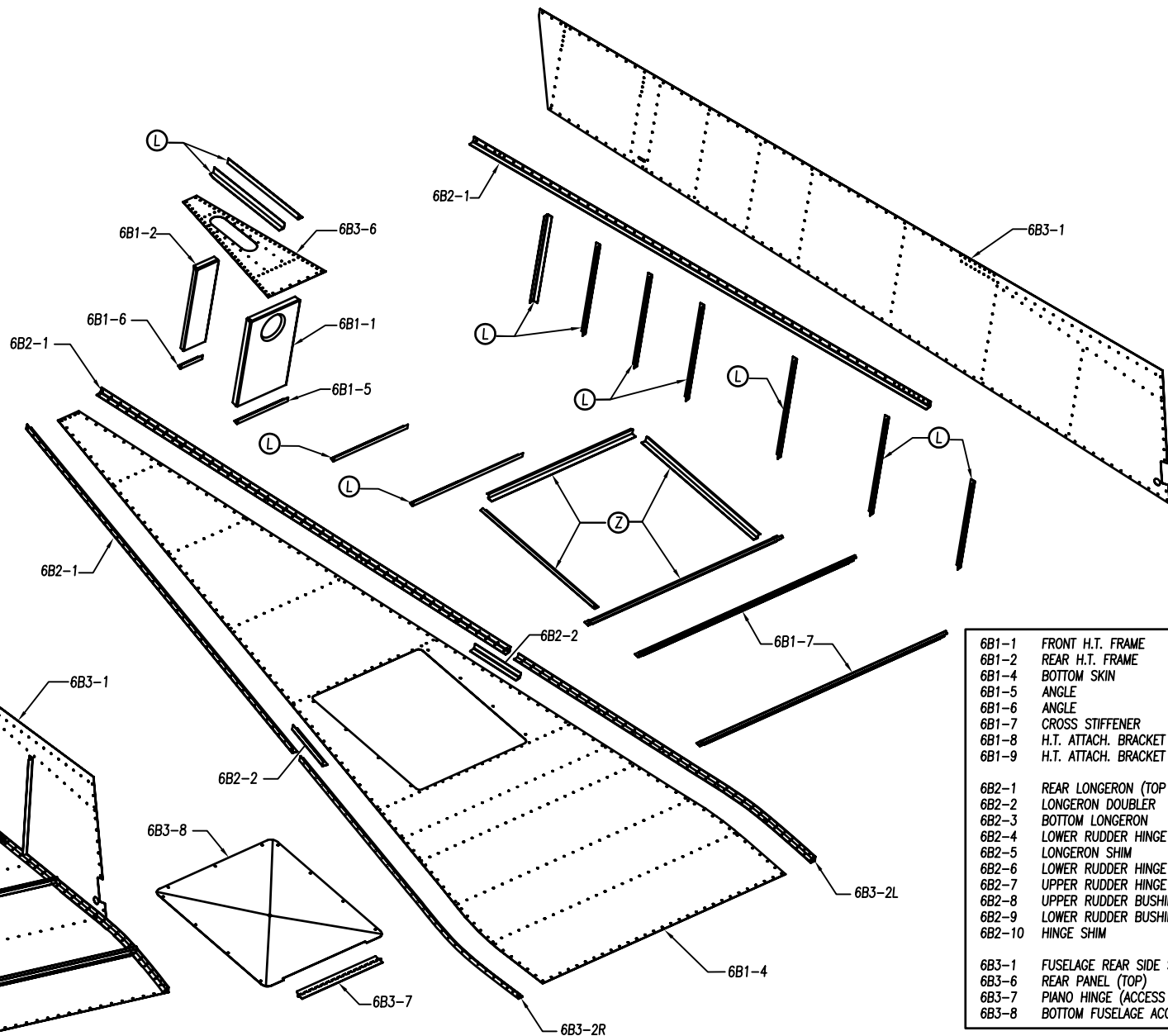
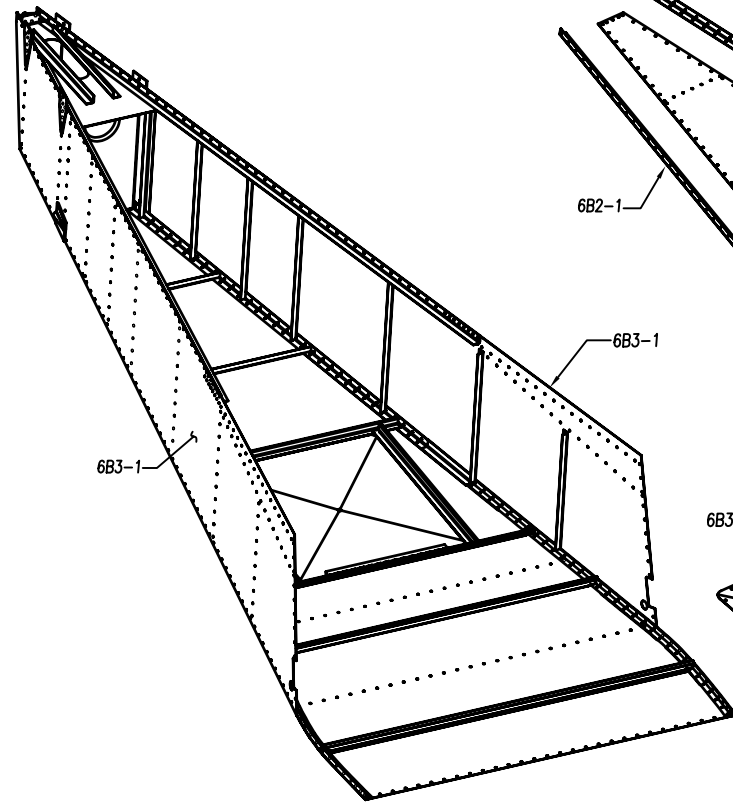
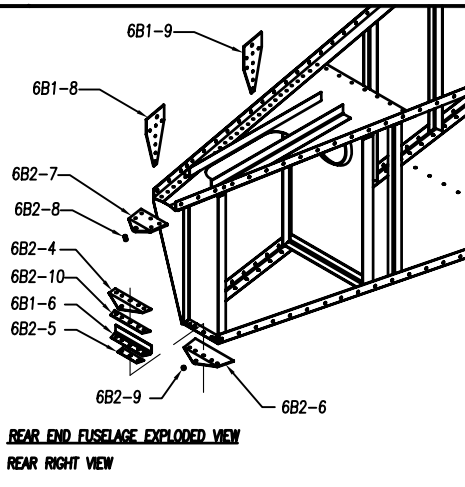


TAXI & LANDING LIGHT	
6LLO1-1	LANDING LIGHT CHANNEL
6LLO1-2	LANDING LIGHT FILLER RIBLET
6LLO1-3	BACK PLATE
6LLO1-4	FACE PLATE
6LLO1-5	BUSHING
6LLO1-6	LENS
6LLO1-7	BACKING STRIP

WING LOCKER	
6WLO1-1	COVER PLATE
6WLO1-2	LOCKER REAR PANEL
6WLO1-3	PIANO HINGE
6WLO1-4	DZUS STRIP
AILERON TRIM TAB	
6ATO1-1	TRIM TAB TRAILING EDGE SKIN
6ATO1-3	AILERON CUTOUT CHANNEL
6ATO1-4	PIANO HINGE
6ATO1-5	ACCESS HOLE COVER PLATE
6ATO1-6	TRIM TAB HORN ANGLE
HINGED AILERON	
6PH1-1	AILERON SKIN
6PH1-2	PIANO HINGE

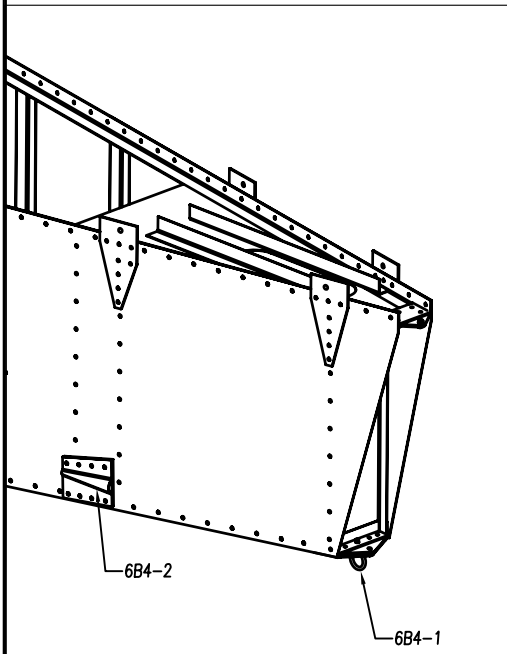
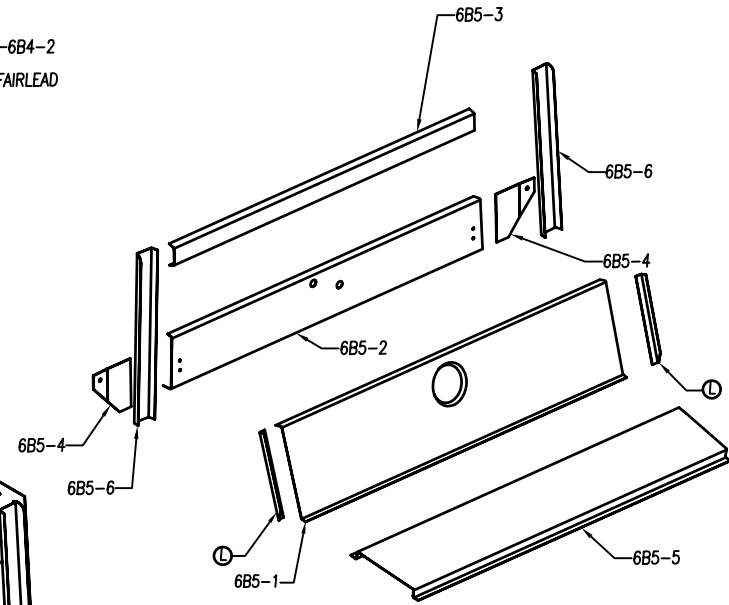
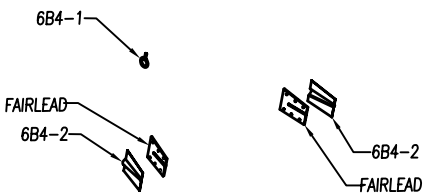
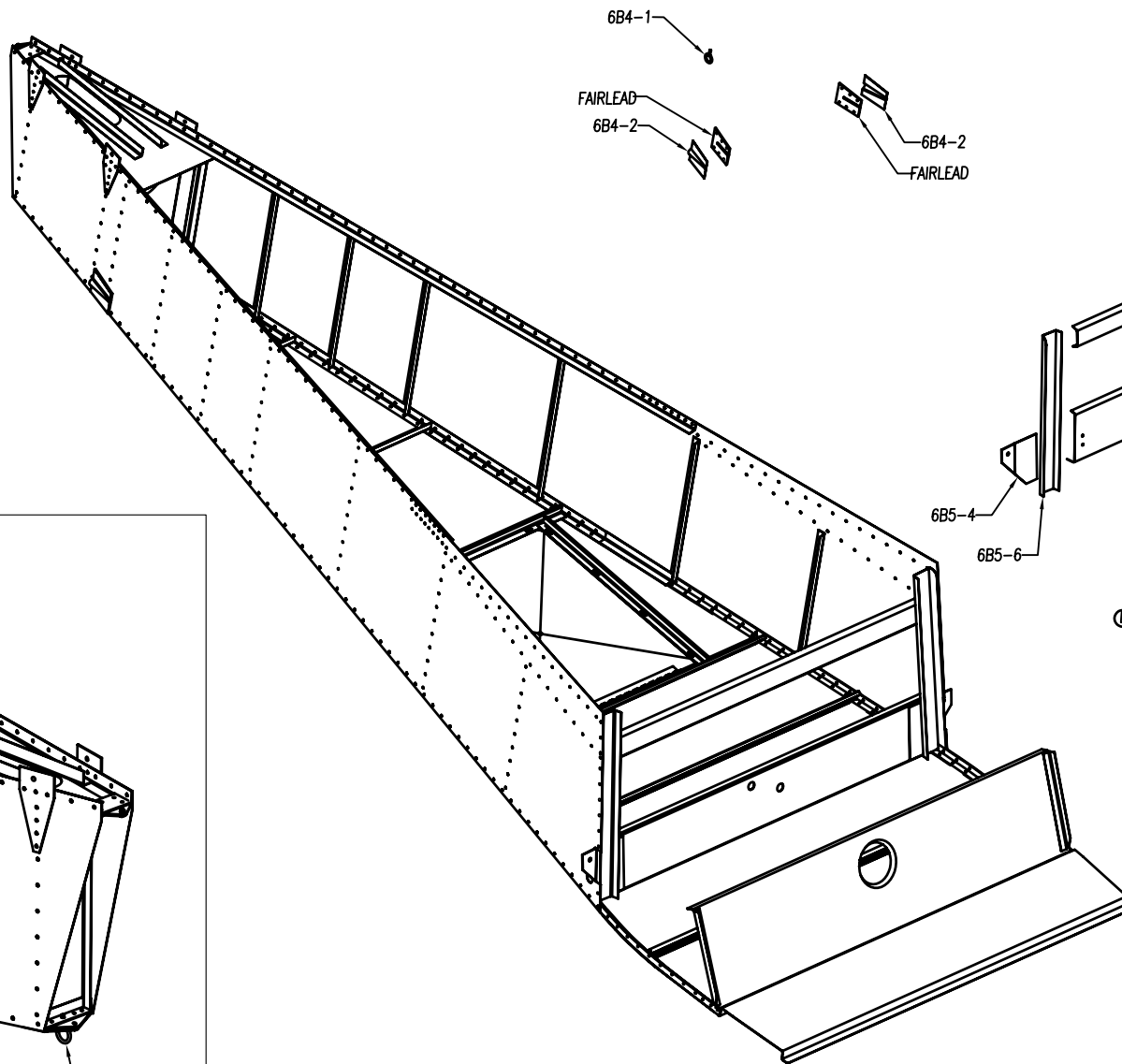
ZODIAC CH 601 XL	OPTIONS	6-X0-9
	copyright © 2007 CHRIS HEINTZ zenithair.com	

DATE: 03/29/2007



6B1-1	FRONT H.T. FRAME
6B1-2	REAR H.T. FRAME
6B1-4	BOTTOM SKIN
6B1-5	ANGLE
6B1-6	ANGLE
6B1-7	CROSS STIFFENER
6B1-8	H.T. ATTACH. BRACKET (REAR)
6B1-9	H.T. ATTACH. BRACKET (FRONT)
6B2-1	REAR LONGERON (TOP & BOTTOM)
6B2-2	LONGERON DOUBLER
6B2-3	BOTTOM LONGERON
6B2-4	LOWER RUDDER HINGE (TOP)
6B2-5	LONGERON SHIM
6B2-6	LOWER RUDDER HINGE (BOTTOM)
6B2-7	UPPER RUDDER HINGE
6B2-8	UPPER RUDDER BUSHING
6B2-9	LOWER RUDDER BUSHING
6B2-10	HINGE SHIM
6B3-1	FUSELAGE REAR SIDE SKIN
6B3-6	REAR PANEL (TOP)
6B3-7	PIANO HINGE (ACCESS DOOR)
6B3-8	BOTTOM FUSELAGE ACCESS DOOR

ZODIAC CH 601 XL	REAR FUSELAGE PARTS: 6B1 to 6B3	6-XB-11
	<small>copyright © 2007 CHRIS HEINTZ zenithair.com</small>	

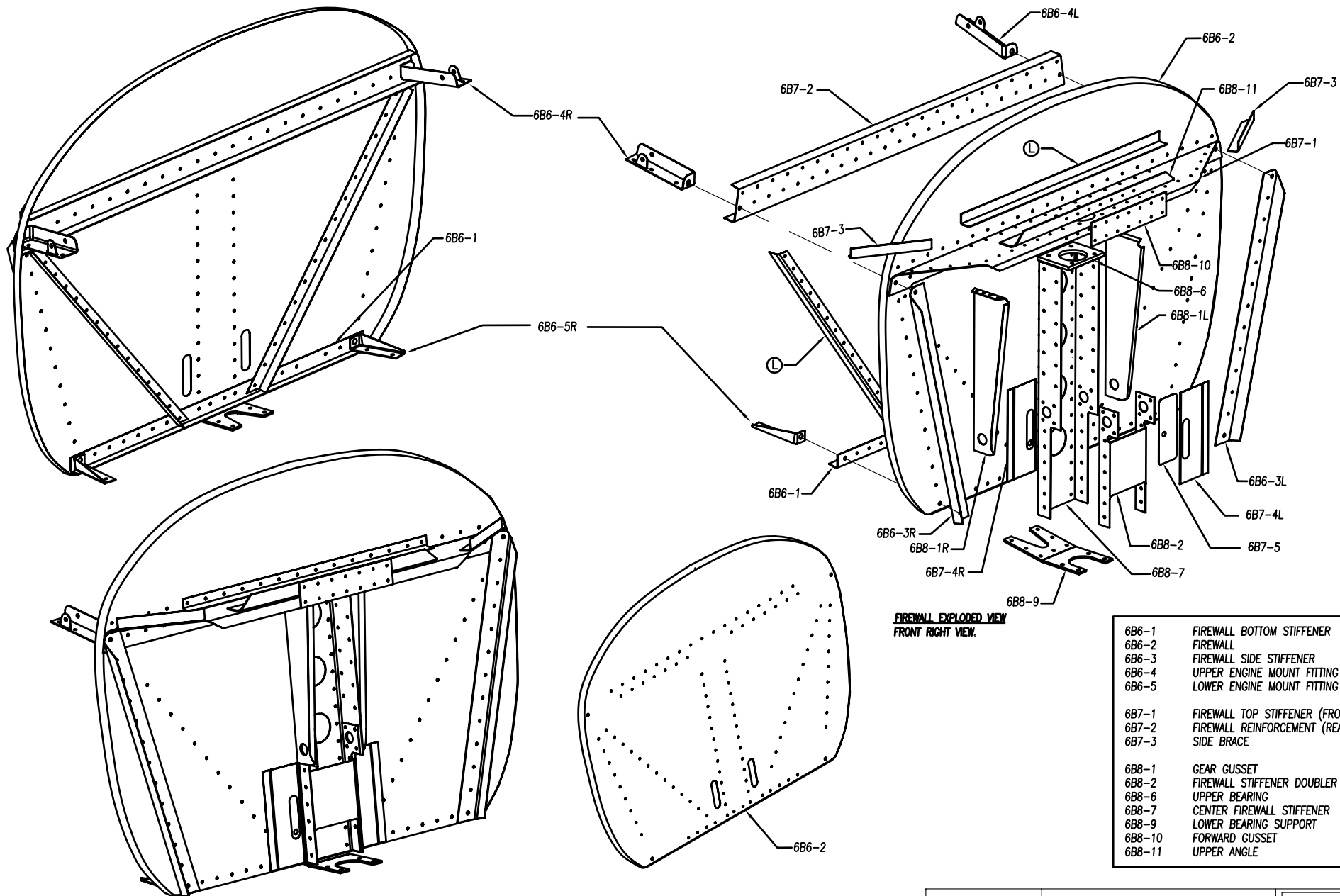


REAR FUSELAGE ASSEMBLY
FRONT RIGHT VIEW

REAR END FUSELAGE ASSEMBLY
REAR LEFT VIEW

6B4-1	TIEDOWN RING
6B4-2	CABLE OUTLET FAIRING
6B5-1	REAR SEAT PANEL
6B5-2	REAR FRAME CHANNEL
6B5-3	UPPER CHANNEL
6B5-4	ATTACH PLATE
6B5-5	GEAR CHANNEL
6B5-6	UPRIGHT CHANNEL

ZODIAC CH 601 XL	REAR FUSELAGE PARTS: 6B4 to 6B5	6-XB-12
	<small>copyright © 2007 CHRIS HEINTZ zenithair.com</small>	



FIREWALL ASSEMBLY
FRONT RIGHT VIEW.

PREDRILLED FIREWALL
FRONT RIGHT VIEW.

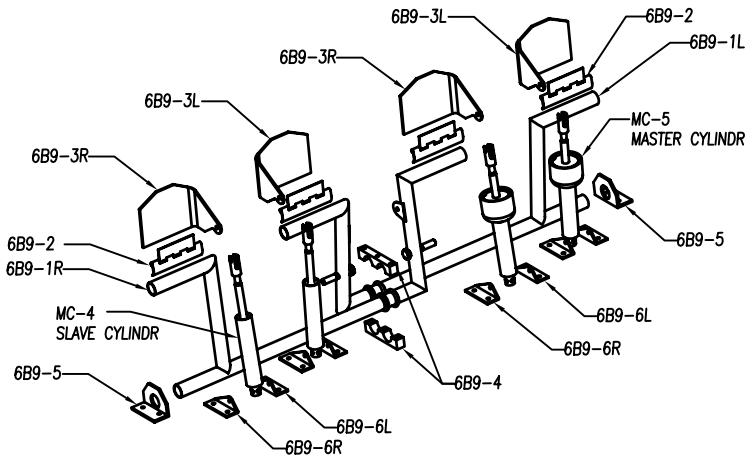
FIREWALL EXPLODED VIEW
FRONT RIGHT VIEW.

- | | |
|--------|--------------------------------|
| 6B6-1 | FIREWALL BOTTOM STIFFENER |
| 6B6-2 | FIREWALL |
| 6B6-3 | FIREWALL SIDE STIFFENER |
| 6B6-4 | UPPER ENGINE MOUNT FITTING |
| 6B6-5 | LOWER ENGINE MOUNT FITTING |
| 6B7-1 | FIREWALL TOP STIFFENER (FRONT) |
| 6B7-2 | FIREWALL REINFORCEMENT (REAR) |
| 6B7-3 | SIDE BRACE |
| 6B8-1 | GEAR GUSSET |
| 6B8-2 | FIREWALL STIFFENER DOUBLER |
| 6B8-6 | UPPER BEARING |
| 6B8-7 | CENTER FIREWALL STIFFENER |
| 6B8-9 | LOWER BEARING SUPPORT |
| 6B8-10 | FORWARD GUSSET |
| 6B8-11 | UPPER ANGLE |

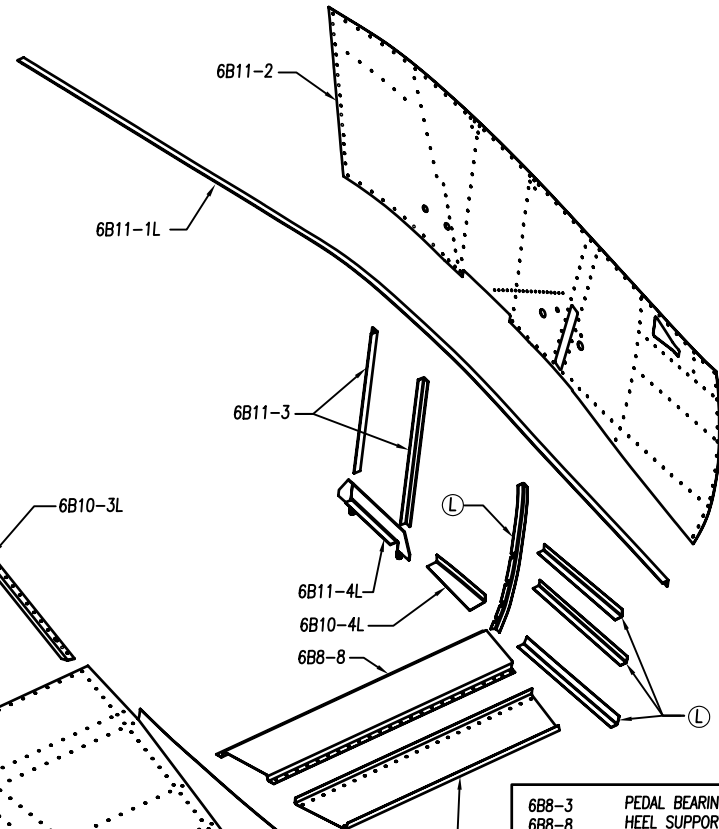
ZODIAC
CH 601 XL

FIREWALL
PARTS: 6B6 to 6B8

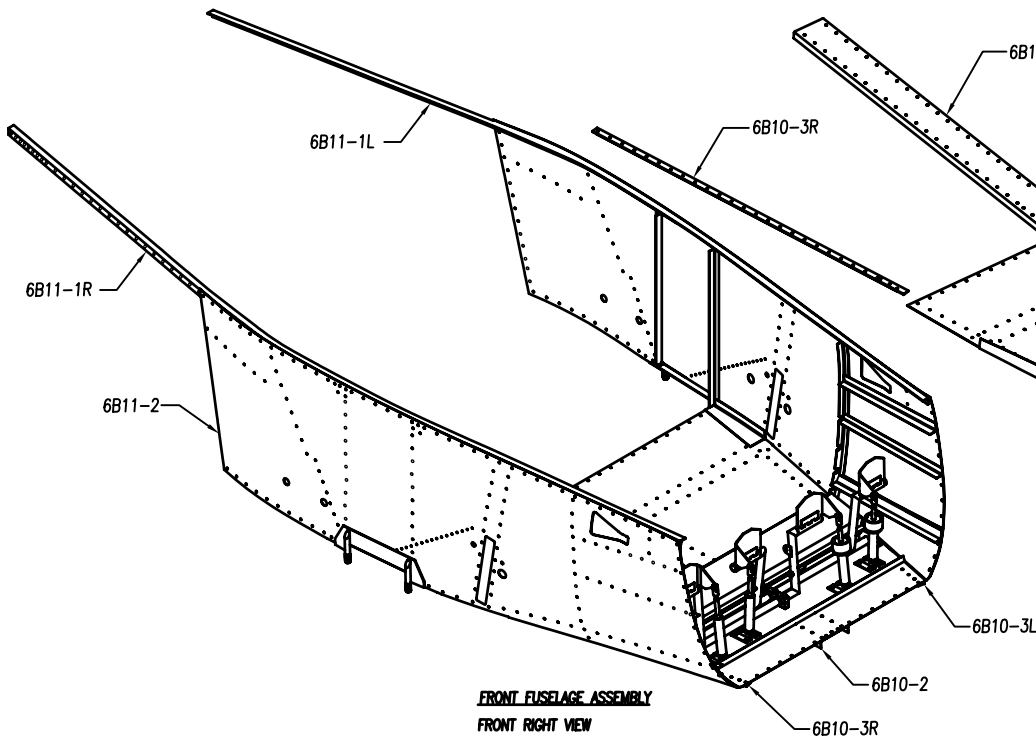
6-XB-13



FRONT FUSELAGE ASSEMBLY
FRONT RIGHT VIEW



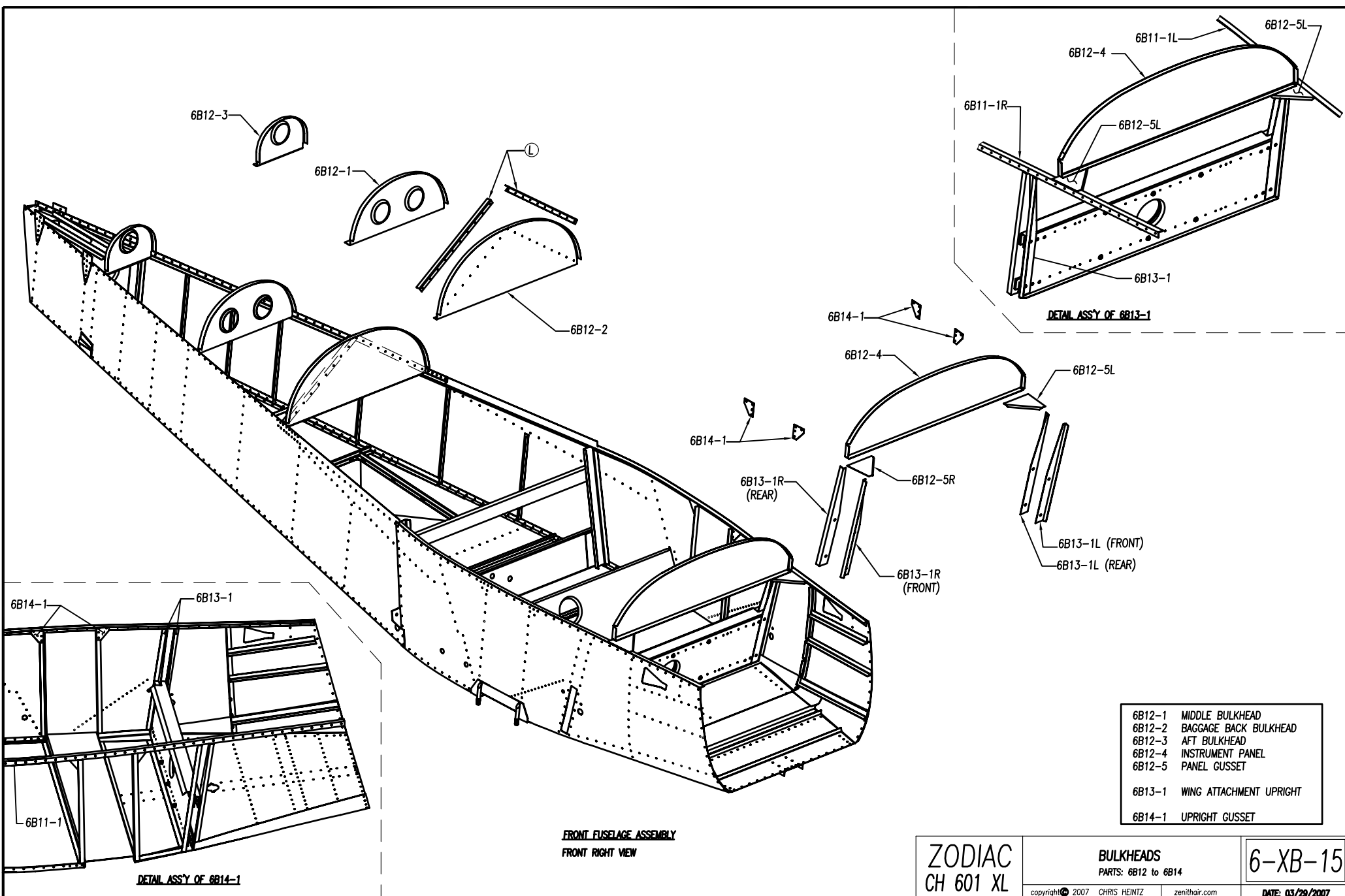
FRONT FUSELAGE EXPLODED VIEW
FRONT RIGHT VIEW



FRONT FUSELAGE ASSEMBLY
FRONT RIGHT VIEW

6B8-3	PEDAL BEARING CHANNEL
6B8-8	HEEL SUPPORT
6B9-1	RUDDER PEDALS
6B9-2	S.S. PIANO HINGE
6B9-3	TOE BRAKE PEDALS
6B9-4	CENTER PEDAL BEARING
6B9-5	LATERAL PEDAL BEARING
6B9-6	BRAKE CYLINDER SUPPORTS
6B10-1	CABIN FLOOR
6B10-2	FLOOR STIFFENER
6B10-3	LOWER FRONT LONGERON
6B10-4	GUSSET
6B11-1	UPPER FRONT LONGERON
6B11-2	FORWARD SIDE SKINS
6B11-3	GEAR UPRIGHT
6B11-4	MAIN GEAR ATTACHMENT

ZODIAC CH 601 XL	CABIN FLOOR AND SIDES PARTS: 6B9 to 6B11	6-XB-14
	<small>copyright © 2007 CHRIS HEINTZ zenithair.com</small>	



6B12-3

6B12-1

6B12-2

6B11-1L
6B12-4
6B12-5L
6B11-1R
6B13-1

DETAIL ASS'Y OF 6B13-1

6B14-1

6B12-4

6B12-5L

6B14-1

6B13-1R (REAR)

6B12-5R

6B13-1L (FRONT)

6B13-1L (REAR)

6B13-1R (FRONT)

6B14-1
6B13-1

6B11-1

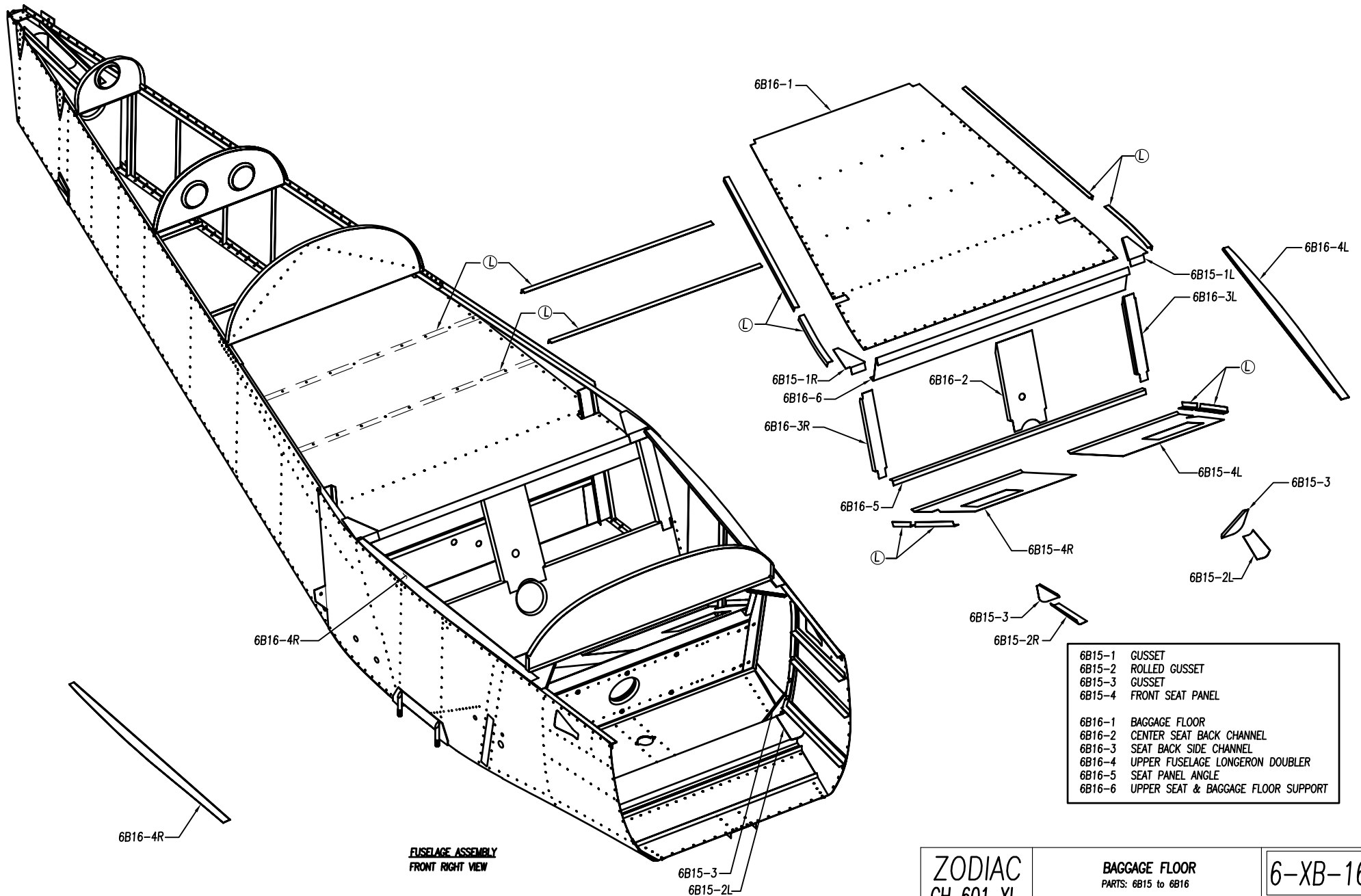
DETAIL ASS'Y OF 6B14-1

FRONT FUSELAGE ASSEMBLY
FRONT RIGHT VIEW

- 6B12-1 MIDDLE BULKHEAD
- 6B12-2 BAGGAGE BACK BULKHEAD
- 6B12-3 AFT BULKHEAD
- 6B12-4 INSTRUMENT PANEL
- 6B12-5 PANEL GUSSET
- 6B13-1 WING ATTACHMENT UPRIGHT
- 6B14-1 UPRIGHT GUSSET

ZODIAC
CH 601 XL

BULKHEADS		6-XB-15
PARTS: 6B12 to 6B14		
copyright © 2007	CHRIS HEINTZ	zenithair.com
		DATE: 03/29/2007

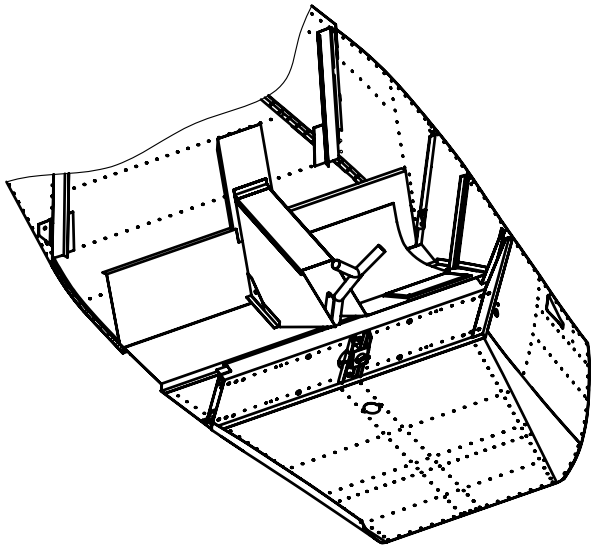


ZODIAC
CH 601 XL

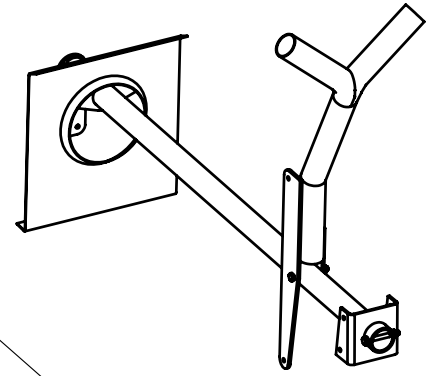
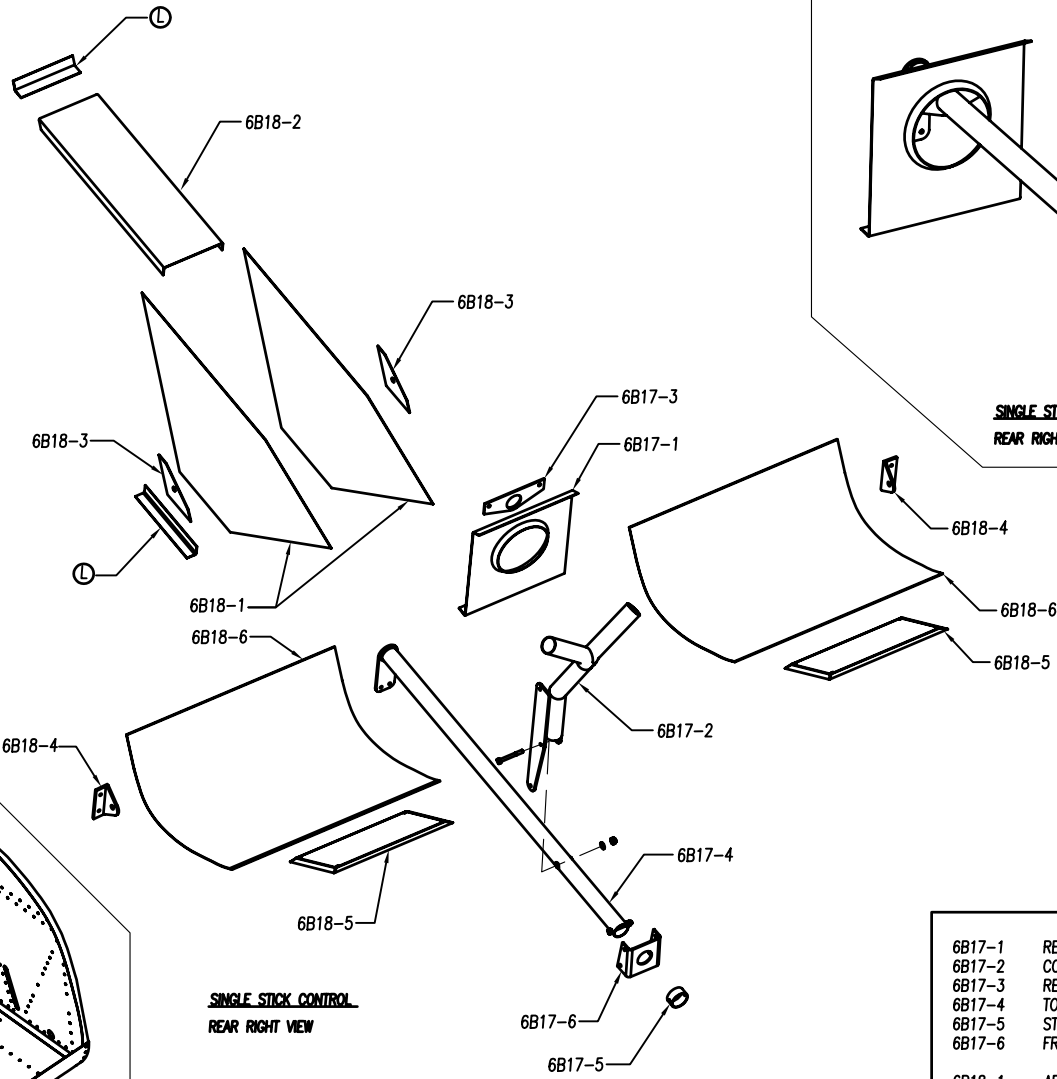
BAGGAGE FLOOR
PARTS: 6B15 to 6B16

6-XB-16

copyright © 2007 CHRIS HEINTZ zenithair.com DATE: 03/29/2007

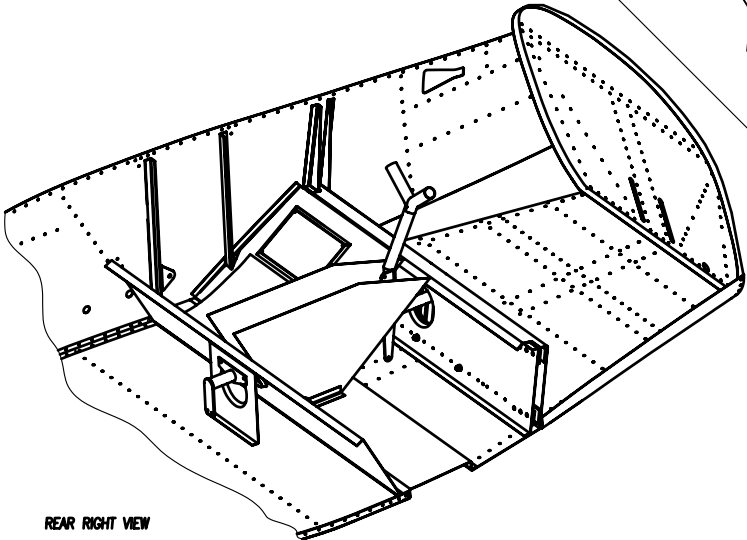


FRONT RIGHT VIEW



SINGLE STICK CONTROL
REAR RIGHT VIEW

SINGLE STICK CONTROL
REAR RIGHT VIEW



REAR RIGHT VIEW

6B17-1	REAR TORQUE TUBE BEARING SUPPORT
6B17-2	CONTROL COLUMN
6B17-3	REAR TORQUE TUBE BEARING
6B17-4	TORQUE TUBE
6B17-5	STOP RING
6B17-6	FRWD. TORQUE TUBE BEARING
6B18-1	ARM REST SIDE
6B18-2	ARM REST COVER
6B18-3	SEAT BELT ATTACHMENT DOUBLER PLATE
6B18-4	SEAT BELT ATTACHMENT
6B18-5	SPAR ACCESS COVER
6B18-6	SEAT BOTTOM

ZODIAC
CH 601 XL

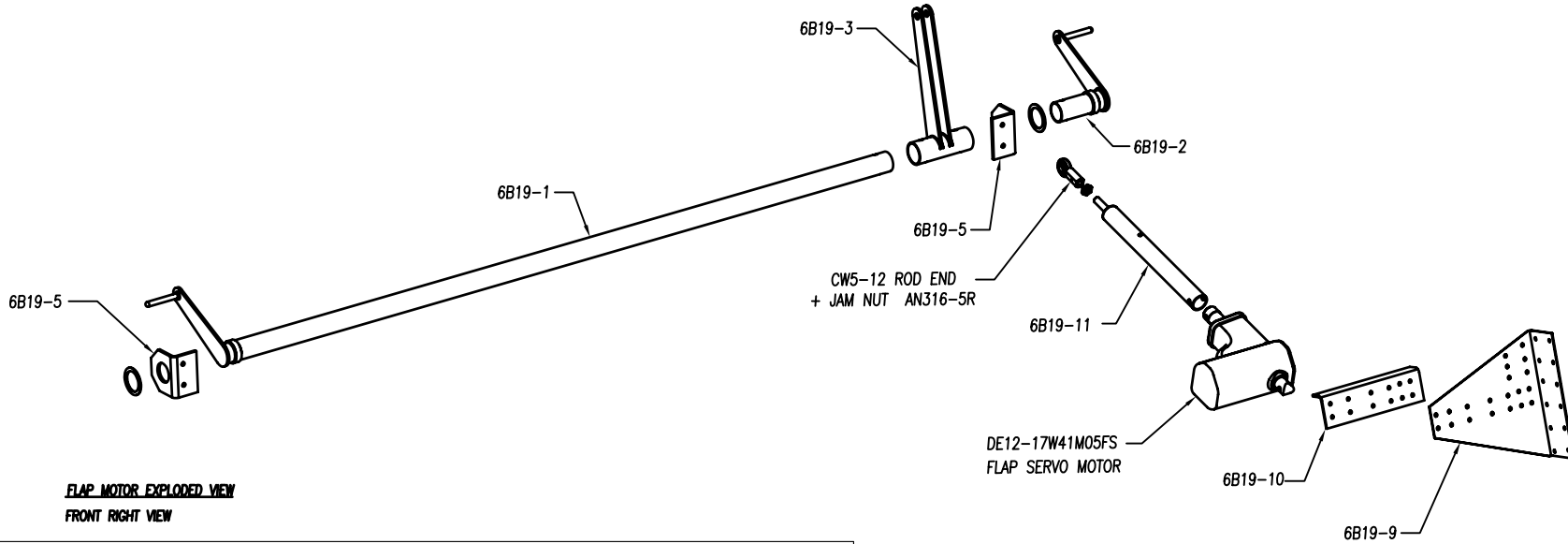
CONTROL COLUMN & COVERS
PARTS: 6B17 to 6B18

6-XB-17

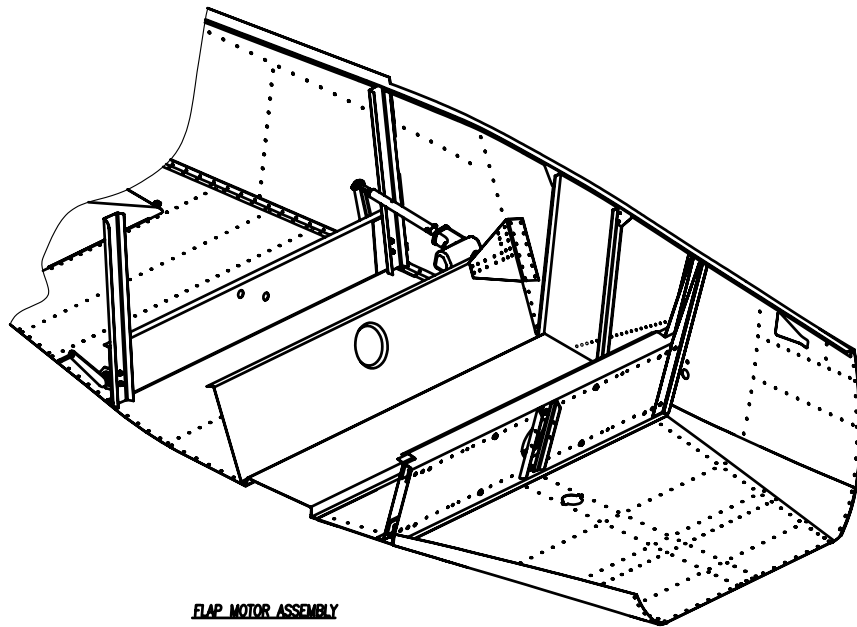
copyright © 2007 CHRIS HEINTZ

zenithair.com

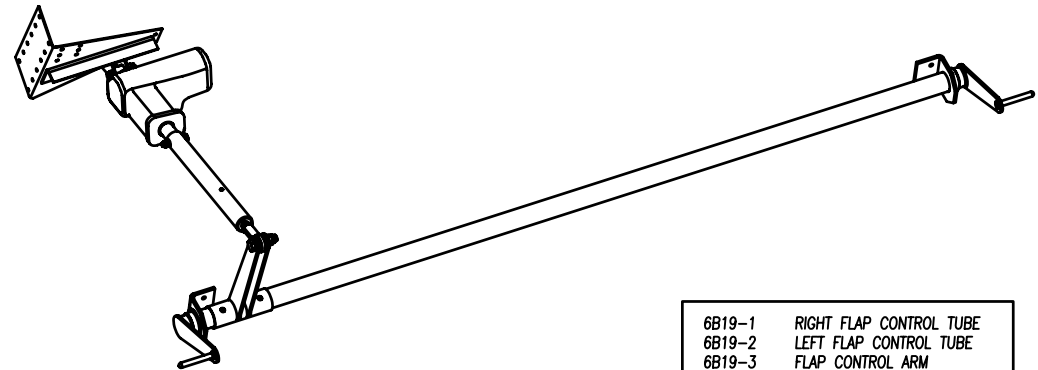
DATE: 03/29/2007



FLAP MOTOR EXPLODED VIEW
FRONT RIGHT VIEW



FLAP MOTOR ASSEMBLY
FRONT RIGHT VIEW



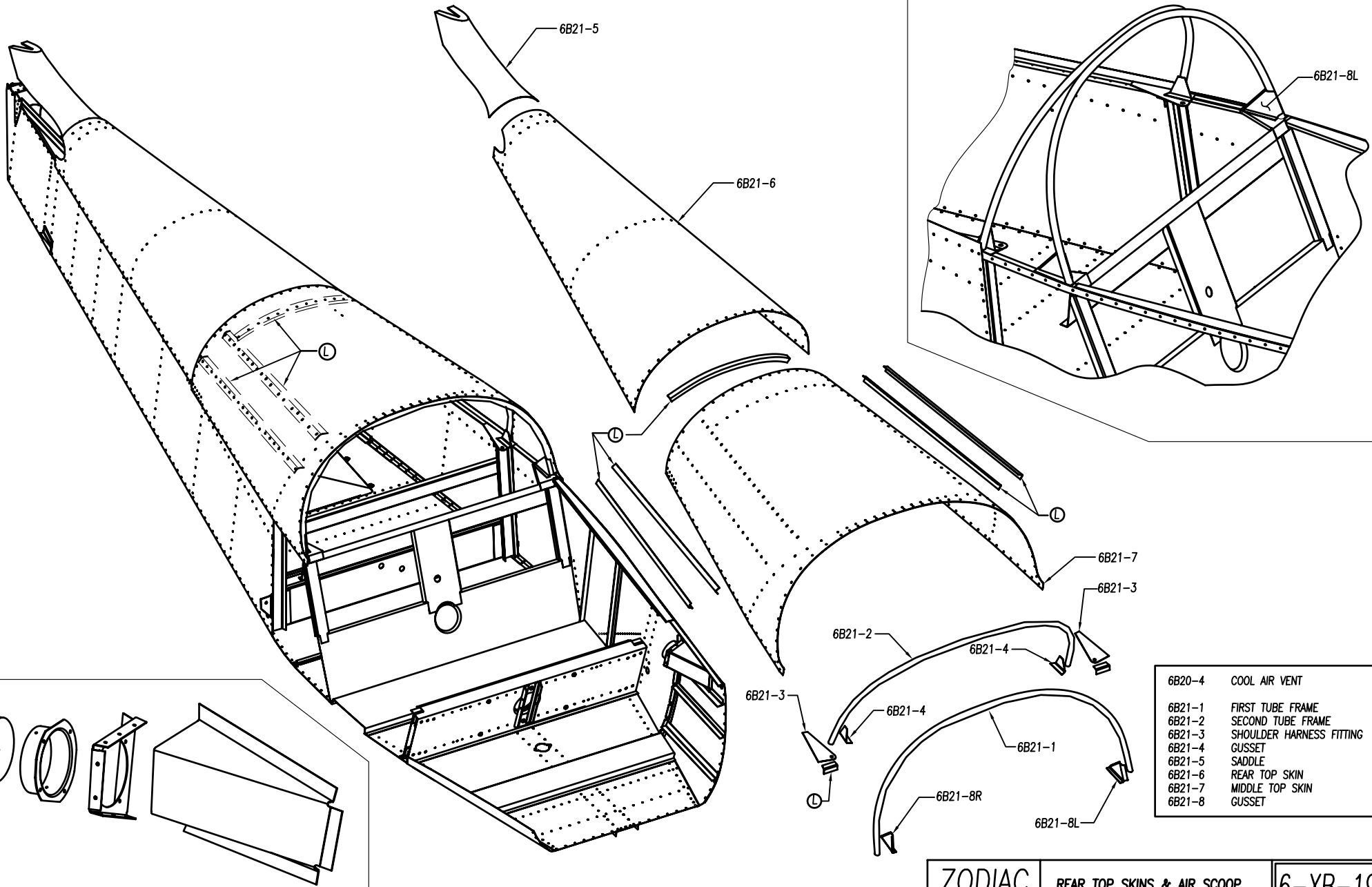
FLAP MOTOR EXPLODED VIEW
REAR LEFT VIEW

- | | |
|---------|-------------------------|
| 6B19-1 | RIGHT FLAP CONTROL TUBE |
| 6B19-2 | LEFT FLAP CONTROL TUBE |
| 6B19-3 | FLAP CONTROL ARM |
| 6B19-5 | FLAP CONTROL BEARING |
| 6B19-9 | FLAP MOUNT GUSSET |
| 6B19-10 | FLAP ACTUATOR MOUNT |
| 6B19-11 | FLAP ACTUATOR ROD |

ZODIAC
CH 601 XL

FLAP CONTROL
PARTS: 6B19 & 6N24

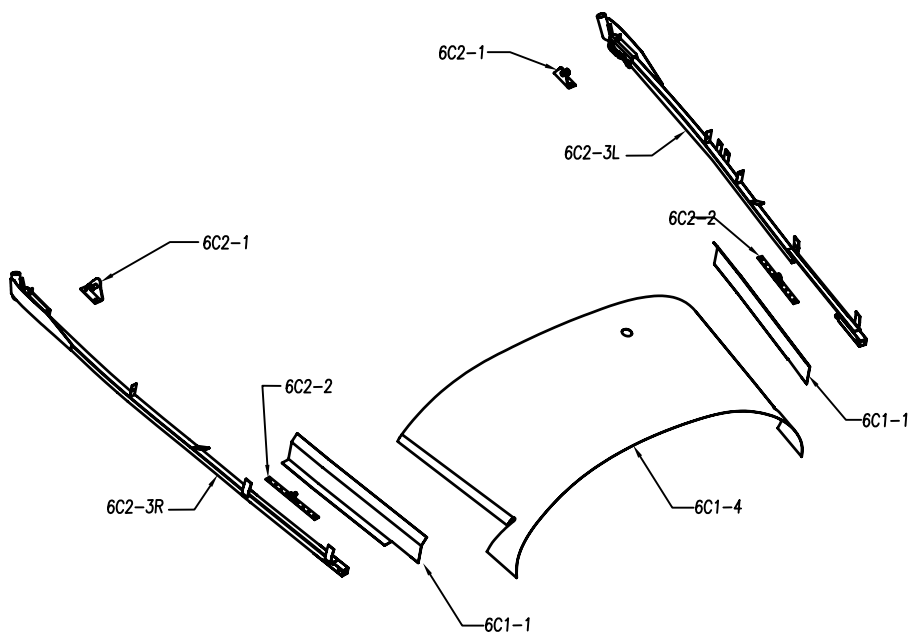
6-XB-18



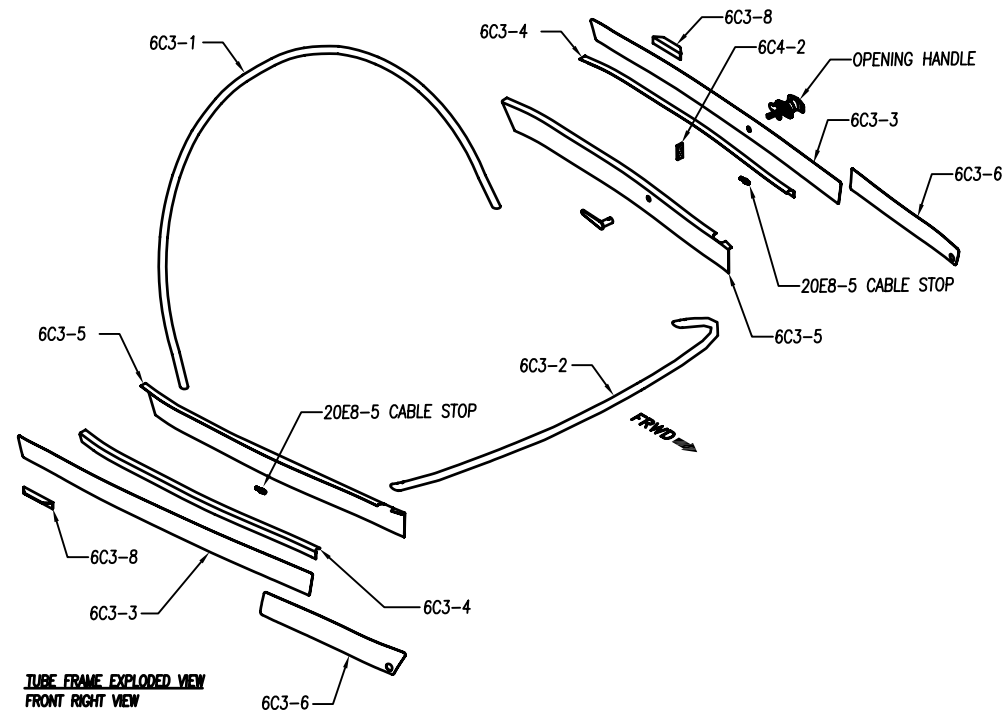
- | | |
|--------|--------------------------|
| 6B20-4 | COOL AIR VENT |
| 6B21-1 | FIRST TUBE FRAME |
| 6B21-2 | SECOND TUBE FRAME |
| 6B21-3 | SHOULDER HARNESS FITTING |
| 6B21-4 | GUSSET |
| 6B21-5 | SADDLE |
| 6B21-6 | REAR TOP SKIN |
| 6B21-7 | MIDDLE TOP SKIN |
| 6B21-8 | GUSSET |

6B20-4 AIR SCOOP

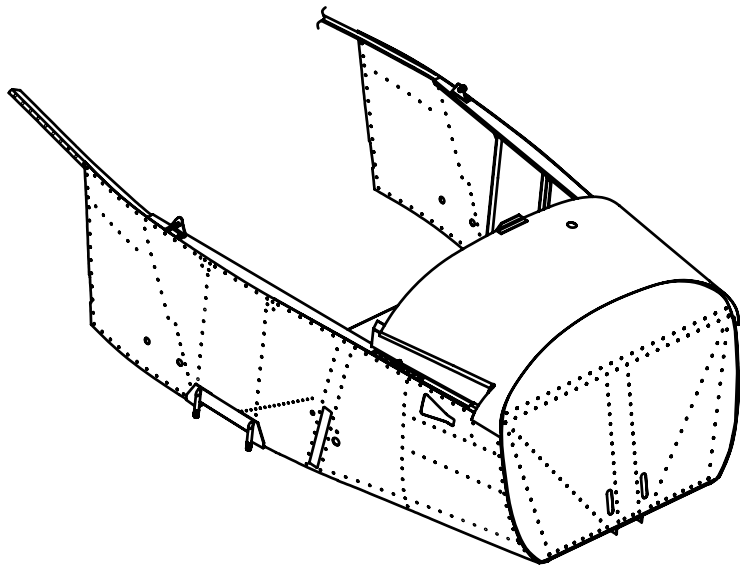
ZODIAC CH 601 XL	REAR TOP SKINS & AIR SCOOP PARTS: 6B19 to 6B21	6-XB-19
	<small>copyright © 2007 CHRIS HEINTZ zenithair.com</small>	<small>DATE: 03/28/2007</small>



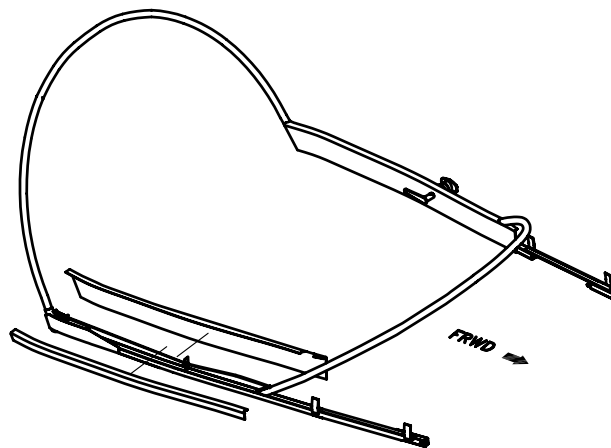
**CANOPY HINGE EXPLODED VIEW
FRONT RIGHT VIEW**



**TUBE FRAME EXPLODED VIEW
FRONT RIGHT VIEW**



**CANOPY TUBE FRAME
REAR RIGHT VIEW**

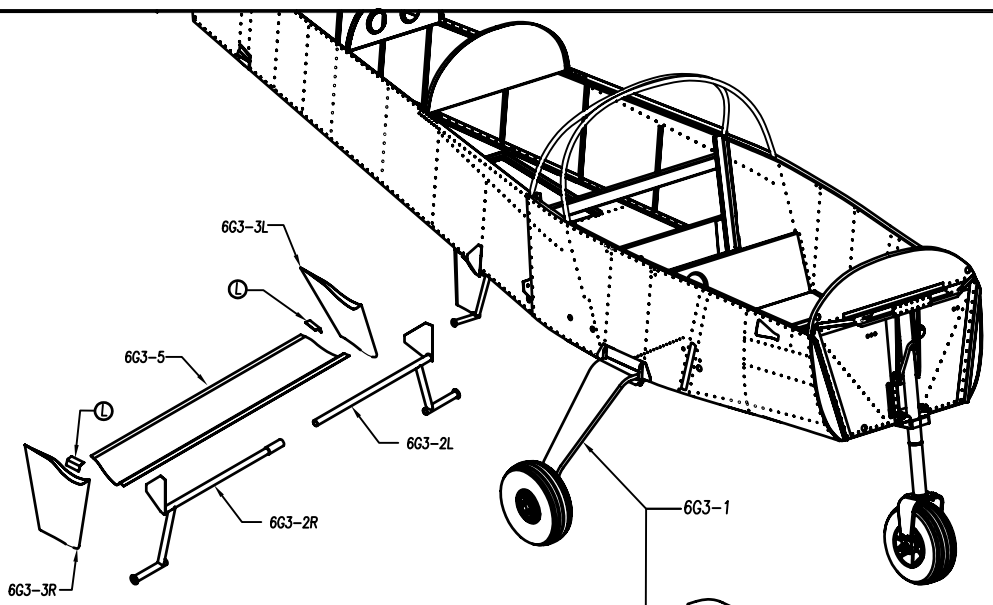


6C1-1	PANEL SIDE ANGLE
6C1-4	FORWARD TOP SKIN
6C2-1	STRIKER STUD
6C2-2	BOTTOM BRACKET
6C2-3	CANOPY SIDE FRAME W/LATCH
6C3-1	REAR CANOPY FRAME
6C3-2	FRONT CANOPY FRAME
6C3-3	OUTSIDE FLASHING
6C3-4	INSIDE ANGLE
6C3-5	INSIDE FLASHING
6C3-6	SIDE COVER
6C3-8	EXTRUSION HANDLE
6C4-2	CANOPY CABLE SUPPORT FAIRLEAD

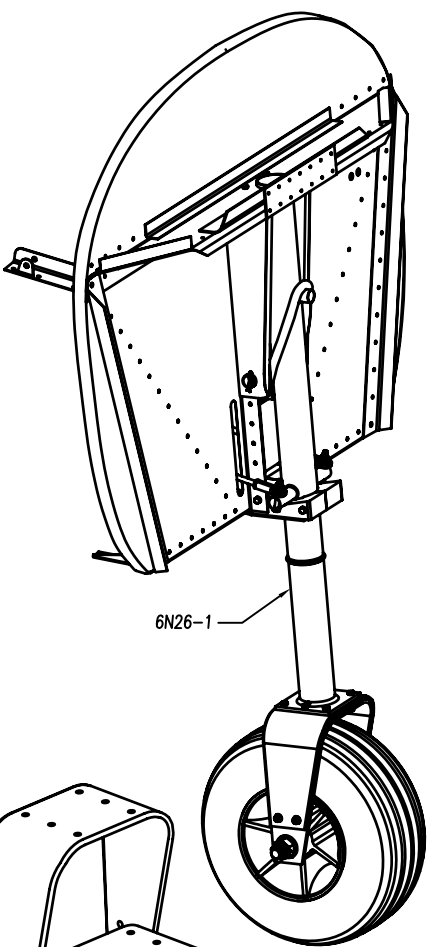
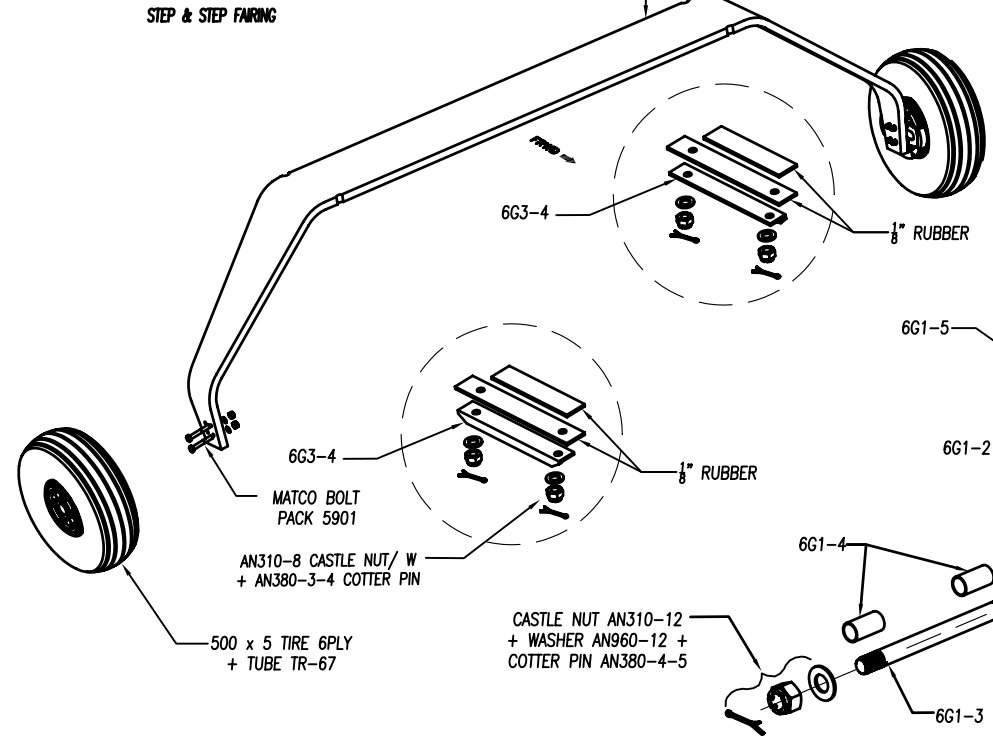
**ZODIAC
CH 601 XL**

**FORWARD CANOPY HINGE
PARTS: 6C1 to 6C2**

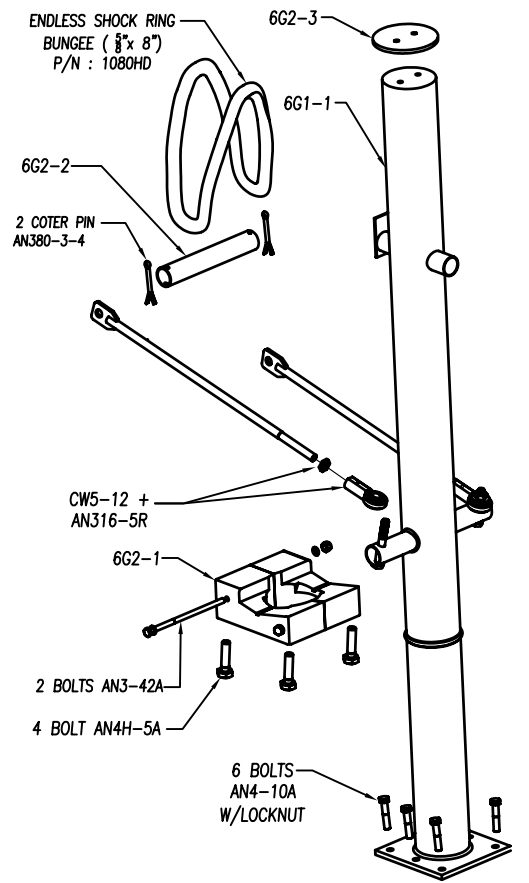
6-XC-21



STEP & STEP FAIRING



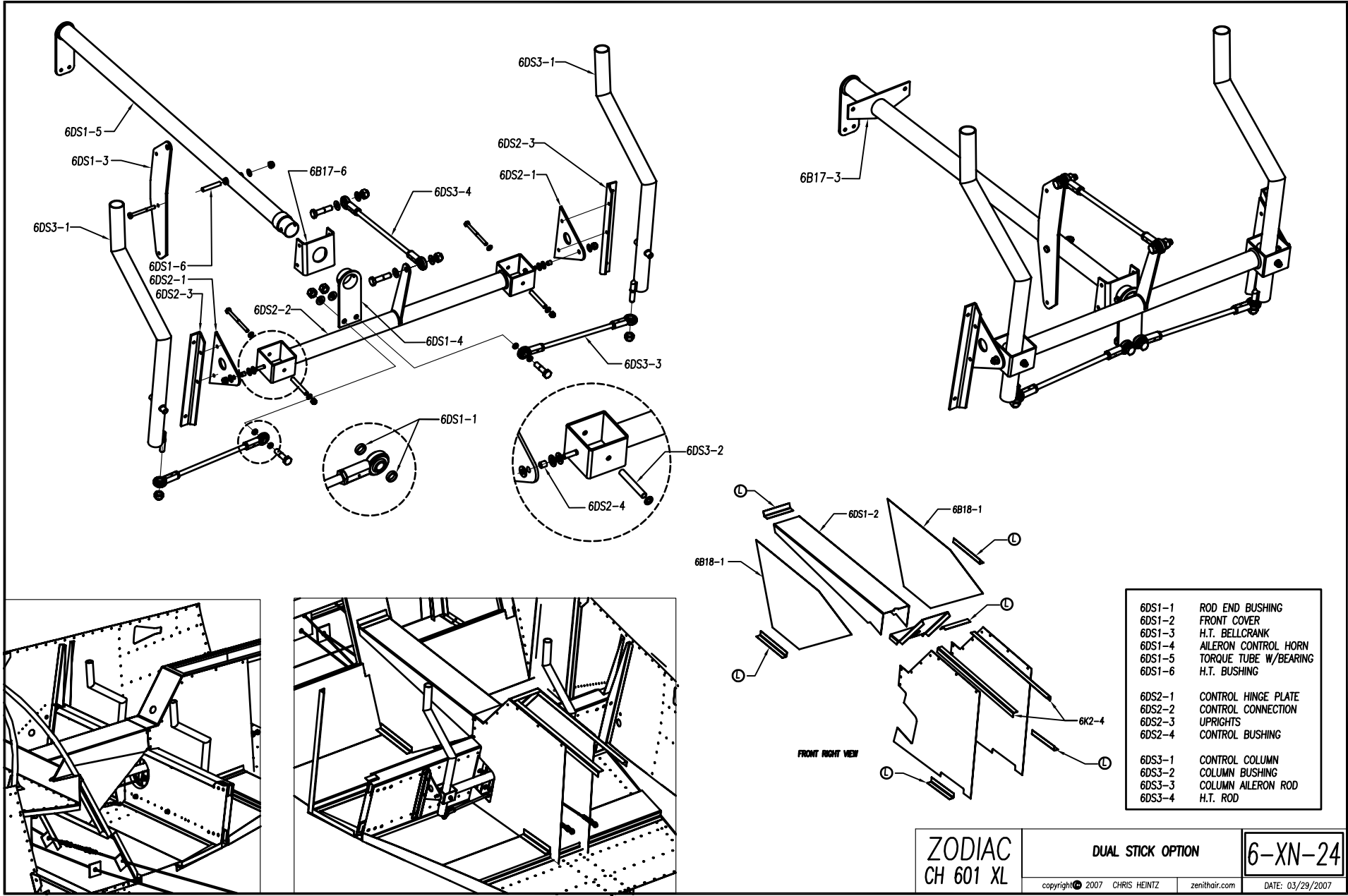
NOSE GEAR ASSY & EXPLODED VIEW
FRONT RIGHT VIEW



STEERING ROD

6G1-1	NOSE GEAR LEG
6G1-2	WHEEL FORK
6G1-3	NOSE WHEEL AXLE
6G1-4	AXLE SPACER
6G1-5	FORK DOUBLER
6G2-1	NOSE GEAR BOTTOM BEARING PIN
6G2-2	STOP PLATE
6G2-3	STEERING ROD
6G2-4	JAM NUT (AN316-5R)
6G3-1	SPRING GEAR
6G3-2	CABIN ACCESS STEP
6G3-3	STEP FAIRING
6G3-4	MAIN GEAR SUPPORT
6G3-5	FUSELAGE STEP FAIRING

ZODIAC CH 601 XL	MAIN LANDING & NOSE GEAR PARTS: 6G1 to 6G3	6-XG-23
	copyright © 2007 CHRIS HEINTZ zenithair.com	



6DS1-1	ROD END BUSHING
6DS1-2	FRONT COVER
6DS1-3	H.T. BELLCRANK
6DS1-4	AILERON CONTROL HORN
6DS1-5	TORQUE TUBE W/BEARING
6DS1-6	H.T. BUSHING
6DS2-1	CONTROL HINGE PLATE
6DS2-2	CONTROL CONNECTION
6DS2-3	UPRIGHTS
6DS2-4	CONTROL BUSHING
6DS3-1	CONTROL COLUMN
6DS3-2	COLUMN BUSHING
6DS3-3	COLUMN AILERON ROD
6DS3-4	H.T. ROD

ZODIAC
CH 601 XL

DUAL STICK OPTION
copyright © 2007 CHRIS HEINTZ zenithair.com

6-XN-24
DATE: 03/29/2007