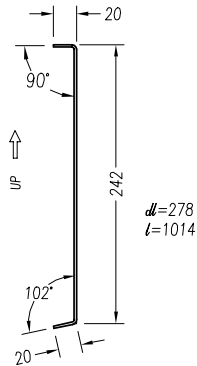
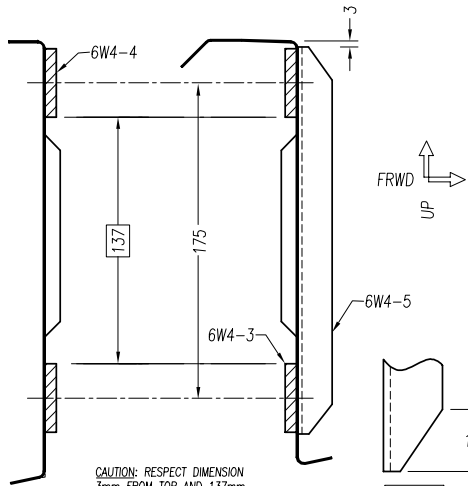
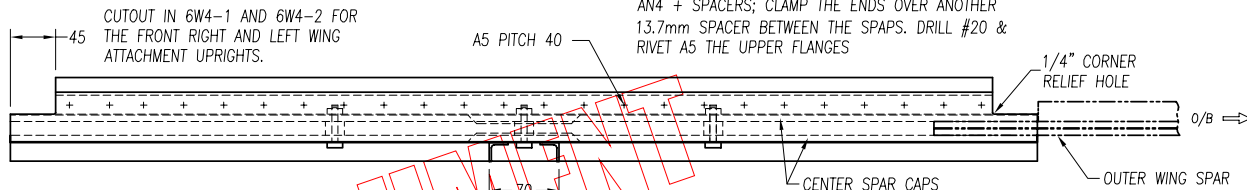
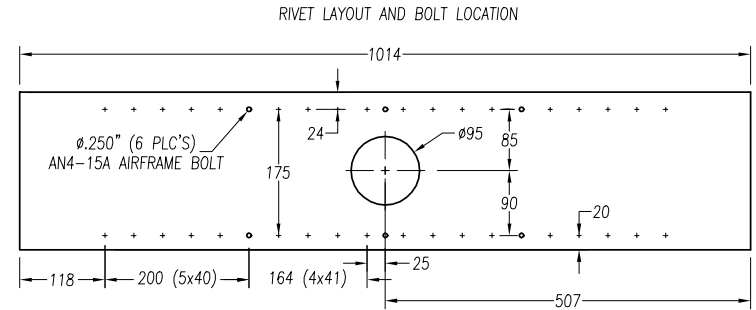
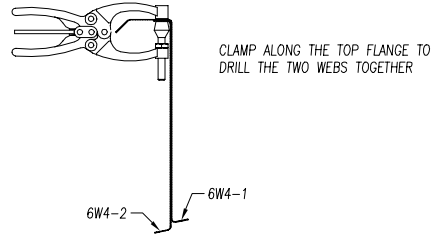


**1 CENTER SPAR WEB (FRONT)**  
t=.032" (1 REQ'D)

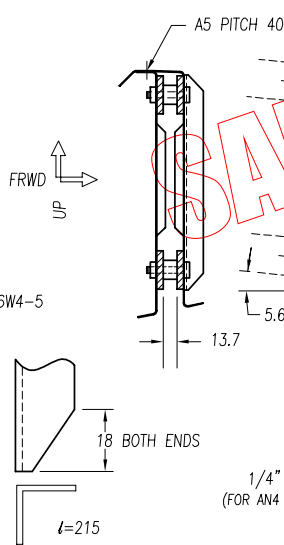


**2 CENTER SPAR WEB (REAR)**  
t=.032" (1 REQ'D)

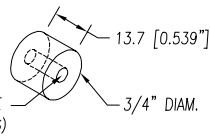
LAYOUT AND DRILL WITH #30 PILOT HOLES THE RIVET PATTERN AND BOLT LOCATION ON FRONT SPAR WEB. CLAMP THE REAR WEB 6W4-2 TO THE TOP FLANGE OF THE FRONT WEB 6W4-1 BACK DRILL THROUGH THE PILOT HOLES.



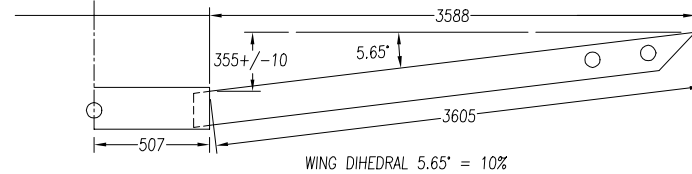
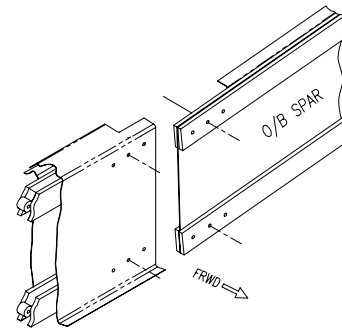
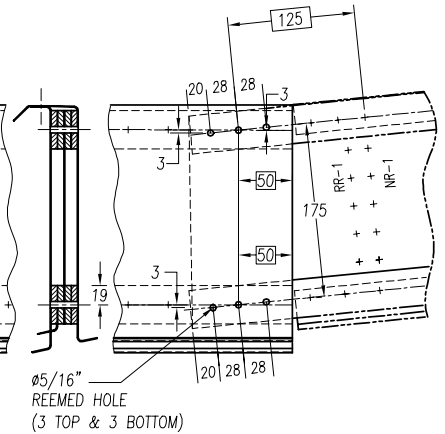
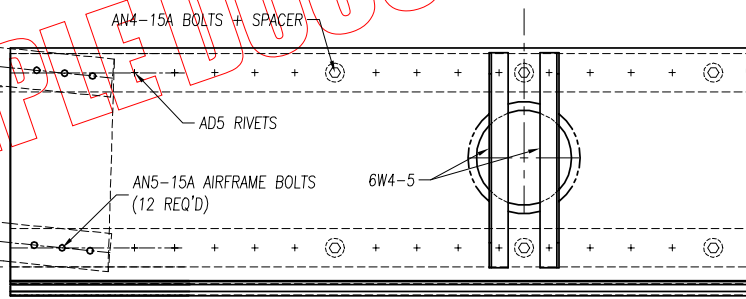
**3 CENTER SPAR CAP**  
1-1/2" x 1/4" (4 REQ'D)  
l=1014



**4 UPRIGHTS**  
EXT. 3/4" x 3/4" x .090"  
(2 REQ'D)



**5 SPACER**  
0.750" O.D. x 0.250" I.D.  
6061-T6 ROD or 2011-T3 ROD  
(6 REQ'D)



ZODIAC  
CH 601 XL

CENTER WING SPAR/  
WING DIHEDRAL

copyright© 2000 Zenith Aircraft Co. zenithair.com  
EDITION 1st 01/01

6-W-4