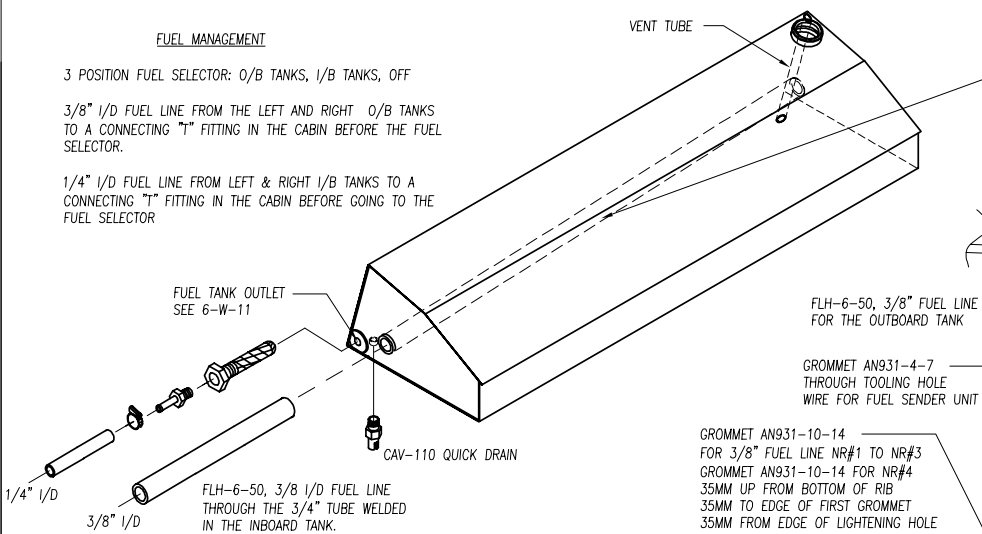


**FUEL MANAGEMENT**

3 POSITION FUEL SELECTOR: O/B TANKS, I/B TANKS, OFF

3/8" I/D FUEL LINE FROM THE LEFT AND RIGHT O/B TANKS TO A CONNECTING "T" FITTING IN THE CABIN BEFORE THE FUEL SELECTOR.

1/4" I/D FUEL LINE FROM LEFT & RIGHT I/B TANKS TO A CONNECTING "T" FITTING IN THE CABIN BEFORE GOING TO THE FUEL SELECTOR



**1 INBOARD LE TANK**  
t=.032" (1L + 1R REQ'D)

GROMMET AN931-10-14 FOR 3/8" FUEL LINE NR#1 TO NR#3  
GROMMET AN931-10-14 FOR NR#4 35MM UP FROM BOTTOM OF RIB 35MM TO EDGE OF FIRST GROMMET 35MM FROM EDGE OF LIGHTENING HOLE

GROMMET AN931-8-13 FOR 1/4" I/D FUEL LINE NR#1 TO NR#3 CENTERED ON PILOT HOLE

3/4" DIAMETER x .035" WALL x LENGTH=1010 TUBE WELDED AT EACH END OF THE INBOARD LE TANK.

6W13-1 INBOARD LE TANK BETWEEN NR#4 AND NR#5

GROMMET AN931-10-14 (CENTERED ON PILOT "C")

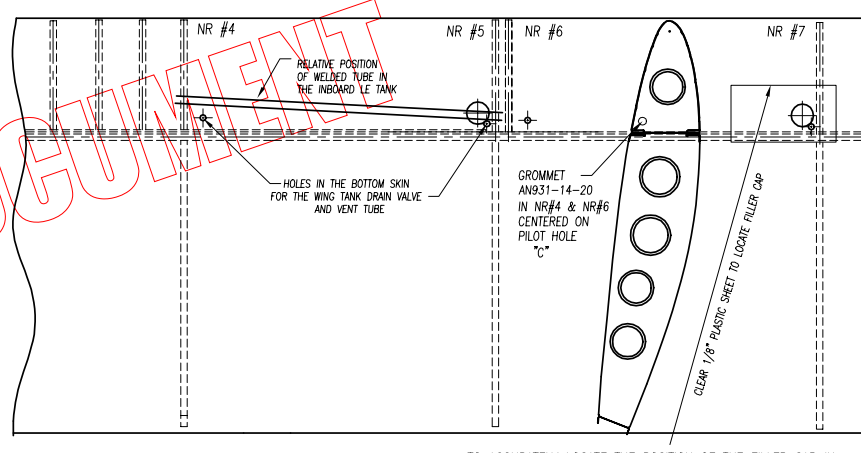
BUILT UP LAYERS OF CORK BETWEEN THE ENDS OF THE TANK AND THE NOSE RIBS

6W11-1 OUTBOARD LE TANK BETWEEN NR#6 AND NR#7

TANK OUTLET 3/8" NPT WELDED FLANGE DX2021 3/8"NPT FINGER SCREEN F125-6B NIPPLE COUPLER 3/8" HOSE 1/4" NPT

SIDE VIEW CROSS SECTION OF O/B TANK OUTLET CONNECTION

F62606, 7/8" HOSE CLAMP



NON VENTED FUEL CAP

SIDE VIEW OF OUTBOARD END OF THE I/B AND O/B LE TANK

VENT TUBE WELDED AT BOTTOM

NOTE: DEPENDING ON THE FILLER CAP, THE TANK IS EITHER VENTED THROUGH THE CAP OR BY A VENT LINE UNDERNEATH THE WING.

NOTE: DIFFERENCE BETWEEN THE I/B AND O/B TANK IS THE WELDED TUBE THROUGH THE I/B TANK. REFER TO 6W11-1 FOR DIMENSIONS.

TO ACCURATELY LOCATE THE POSITION OF THE FILLER CAP IN THE LEADING EDGE SKIN:

- 1) CLAMP THE AFT EDGE A CLEAR PLASTIC SHEET APPROX 200X200mm (1/8" PLEXIGASS) FLUSH WITH THE AFT EDGE OF THE LEADING EDGE SKIN . BACK DRILL THROUGH THE PRE-DRILLED HOLES IN THE LE SKIN; INCLUDING THE NOSE RIBS.
- 2) POSITION THE TANK IN THE WING AND CLAMP THE PLASTIC SHEET THROUGH THE CORRESPONDING HOLES IN THE SPAR AND NOSE RIBS
- 3) CHECK: THE FILLER NECK TOUCHES THE SHEET. IF NECESSARY SHIM UNDER THE TANK
- 4) WITH COMPASS AND PAPER, CUT A CIRCLE DIAMETER OF THE FILLER NECK.
- 5) POSITION THE CIRCLE ON THE PLEXIGASS AND DRILL A HOLE IN THE CENTER.
- 6) CLECO THE PLEXI SHEET ON THE SKIN THROUGH THE SPAR AND NOSE RIBS, DRILL THE CENTER HOLE ON THE SKIN.

APPROXIMATE LOCATION OF FUEL TANK SENDER

6W13-1

LEADING EDGE SKIN

REFER TO ABOVE DIAGRAM FOR FITTING DETAILS

ZODIAC  
CH 601 XL

AUXILIARY FUEL TANKS

6-W-13

copyright © 2000 Zenith Aircraft Co. zenithair.com

EDITION 1st 01/01