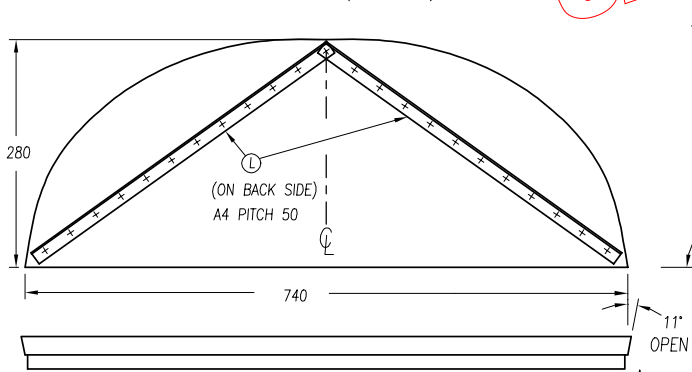
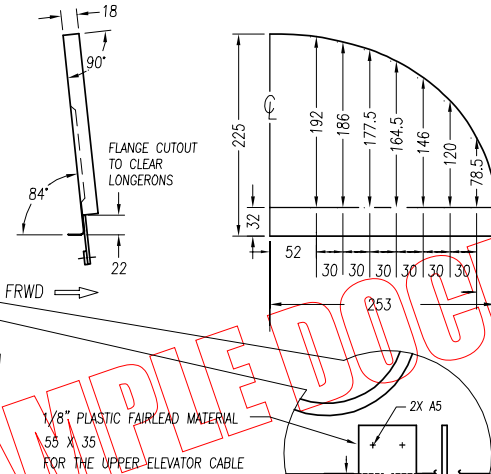


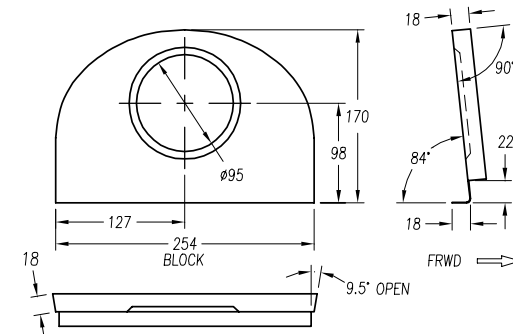
① **B5 MIDDLE BULKHEAD**
t=.025" (1 REQ'D)



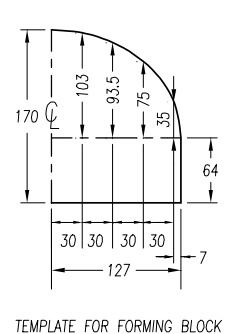
② **B4 BAGGAGE BACK BULKHEAD**
t=.025" (1 REQ'D)



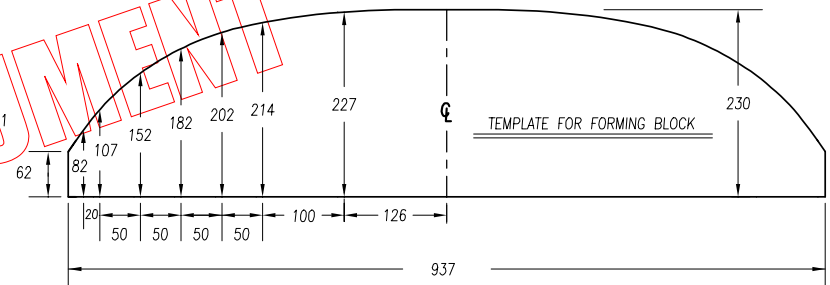
TEMPLATE FOR FORMING BLOCK



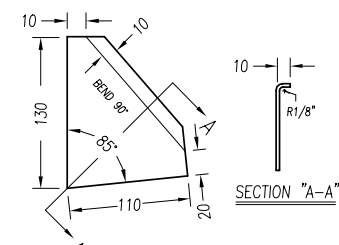
③ **B6 AFT BULKHEAD**
t=.025" (1 REQ'D)



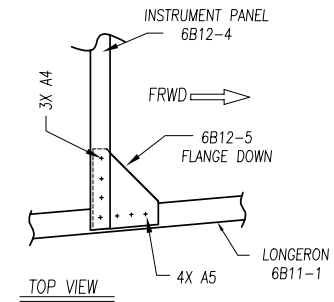
TEMPLATE FOR FORMING BLOCK



④ **B1 INSTRUMENT BULKHEAD**
t=.025" (1 REQ'D)

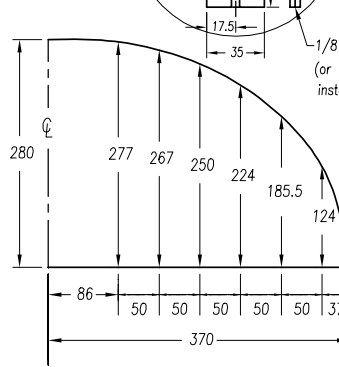


SECTION "A-A"



DETAIL OF GUSSET TO ATTACH THE INSTRUMENT PANEL ON TOP OF THE UPPER FRONT LONGERONS

⑤ **PANEL GUSSET**
t=.032" (1L + 1R REQ'D)



TEMPLATE FOR FORMING BLOCK

ZODIAC
CH 601 XL

FUSELAGE BULKHEADS

copyright © 2000 Zenith Aircraft Co. zenithair.com

EDITION 1st 01/01

6-B-12