

CH 650

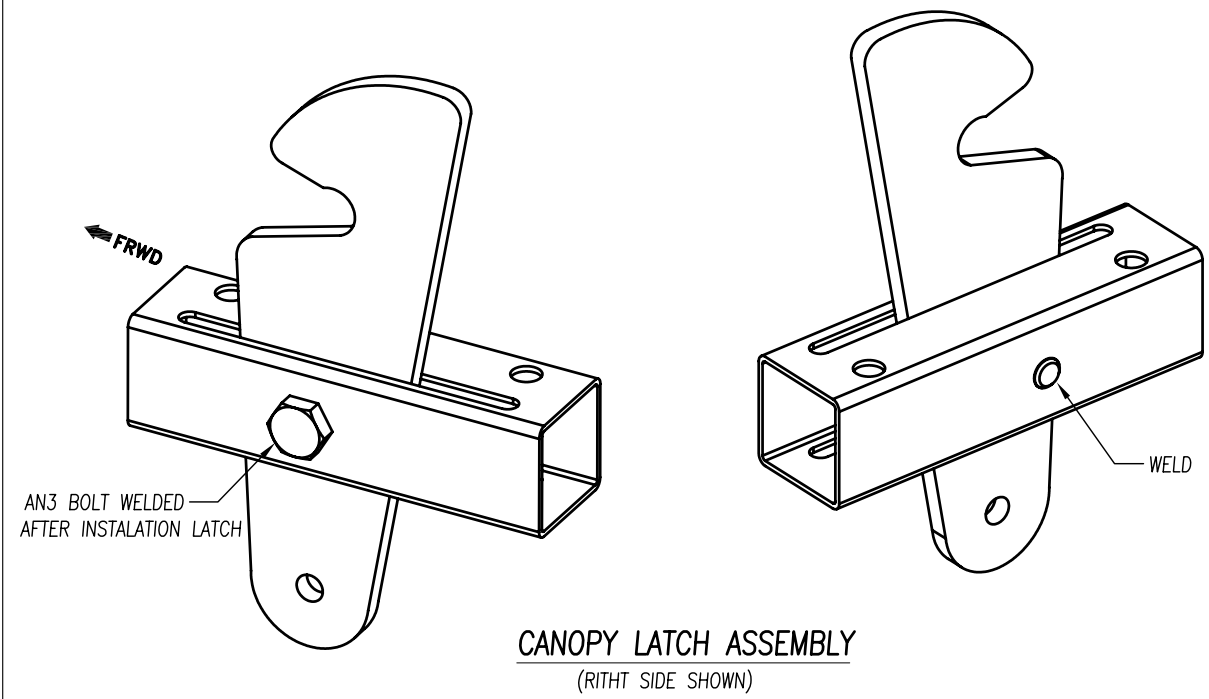
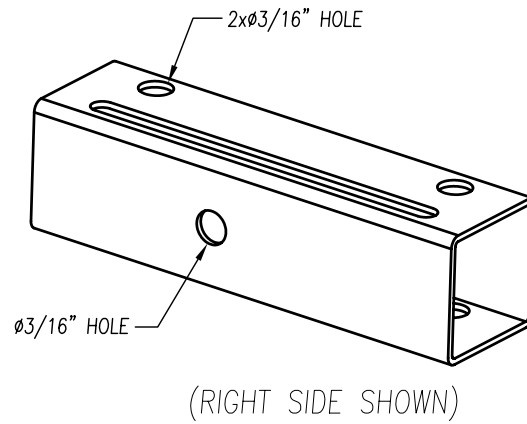
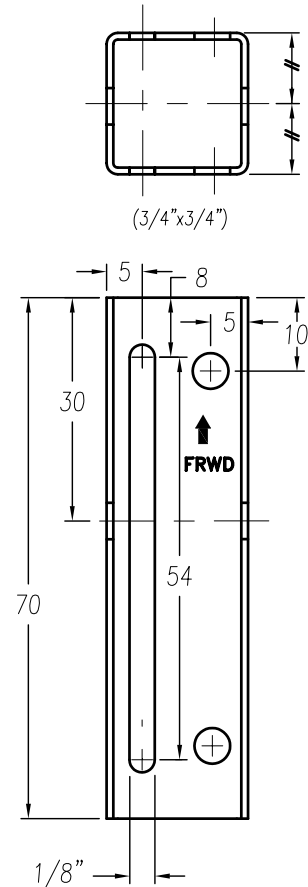
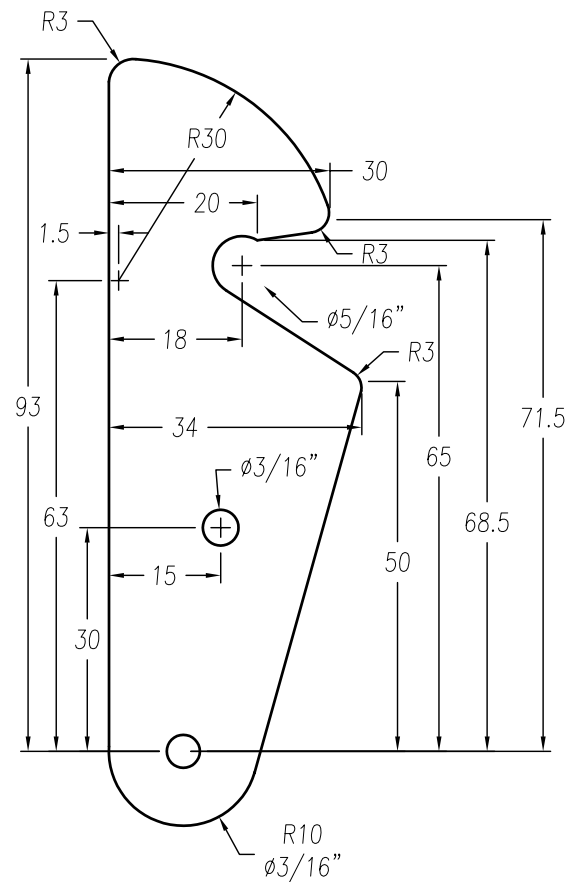
CH 650 CANOPY LATCH

PHOTOS

copyright 2007 CHRIS HEINTZ

Zenithair.com

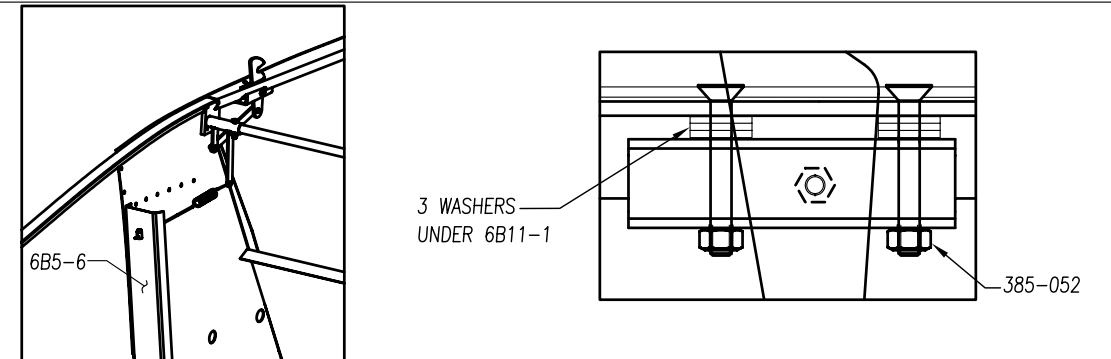
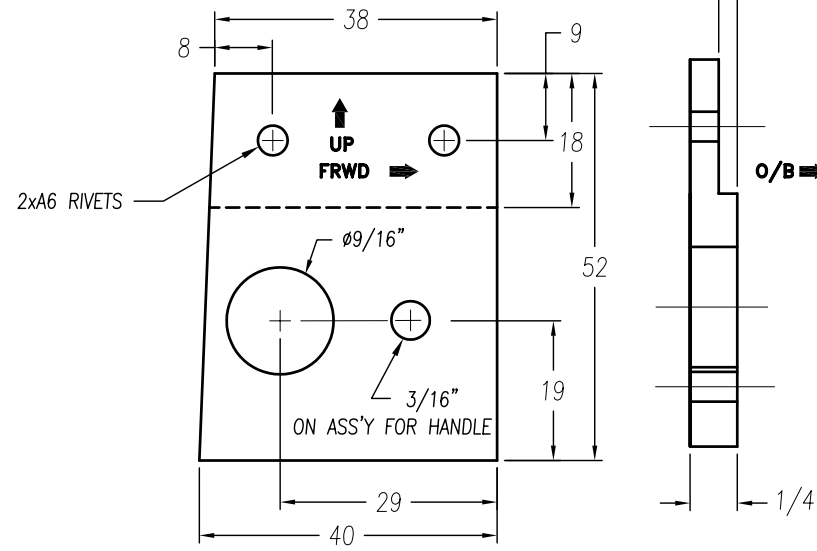
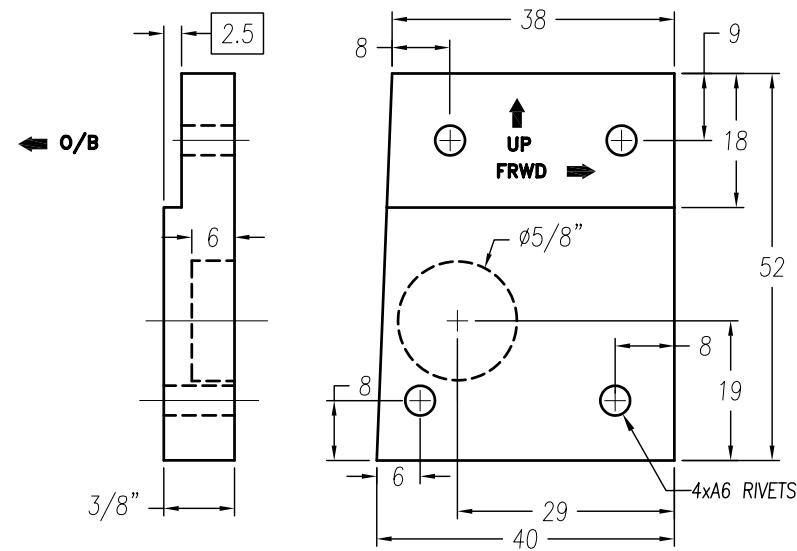
DATE: 08/2008



1 **△** CANOPY LATCH
STEEL t=.125" (2 REQ'D)

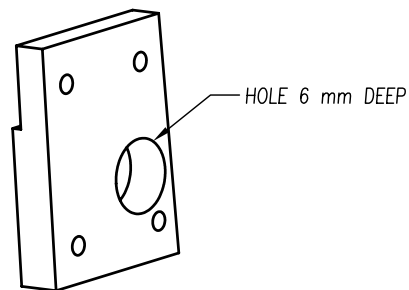
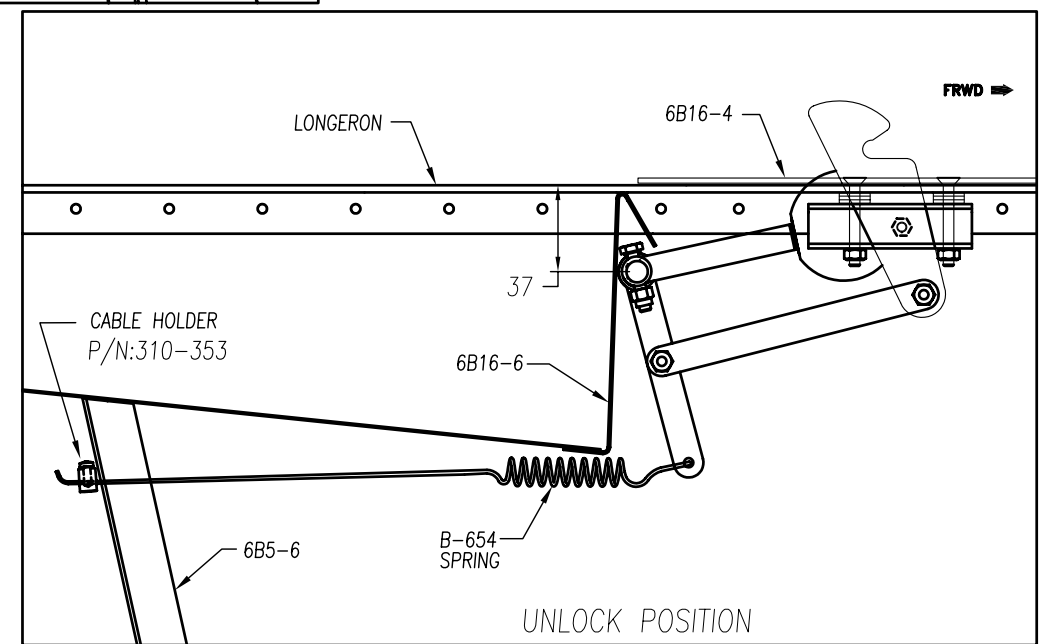
2 **△** EXTRUSION LATCH HINGE
STEEL EXT. 3/4"x 3/4"x .035" 4130N
(L+R REQ'D)

CANOPY LATCH ASSEMBLY
(RITHT SIDE SHOWN)



3 **△** ROD BEARING (RIGHT SIDE)
NYOIL t=3/8" (1 REQ'D)

4 **△** ROD BEARING (LEFT SIDE)
NYOIL t=1/4" (1 REQ'D)



CH 650

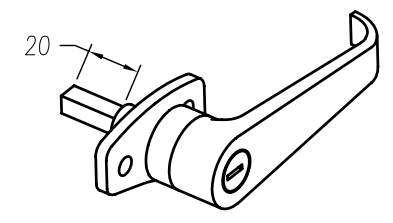
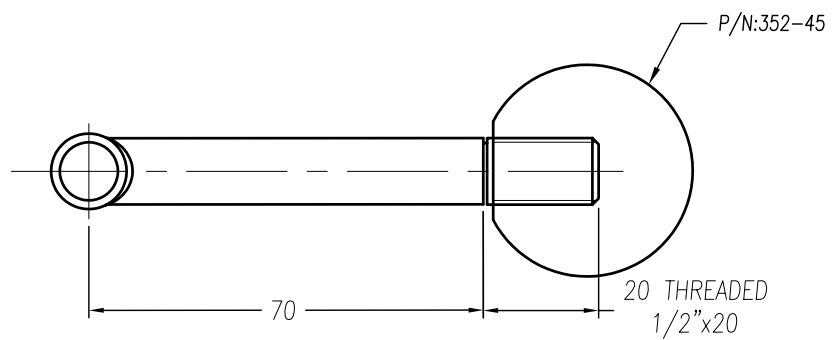
CH 650 CANOPY LATCH

65-C-1

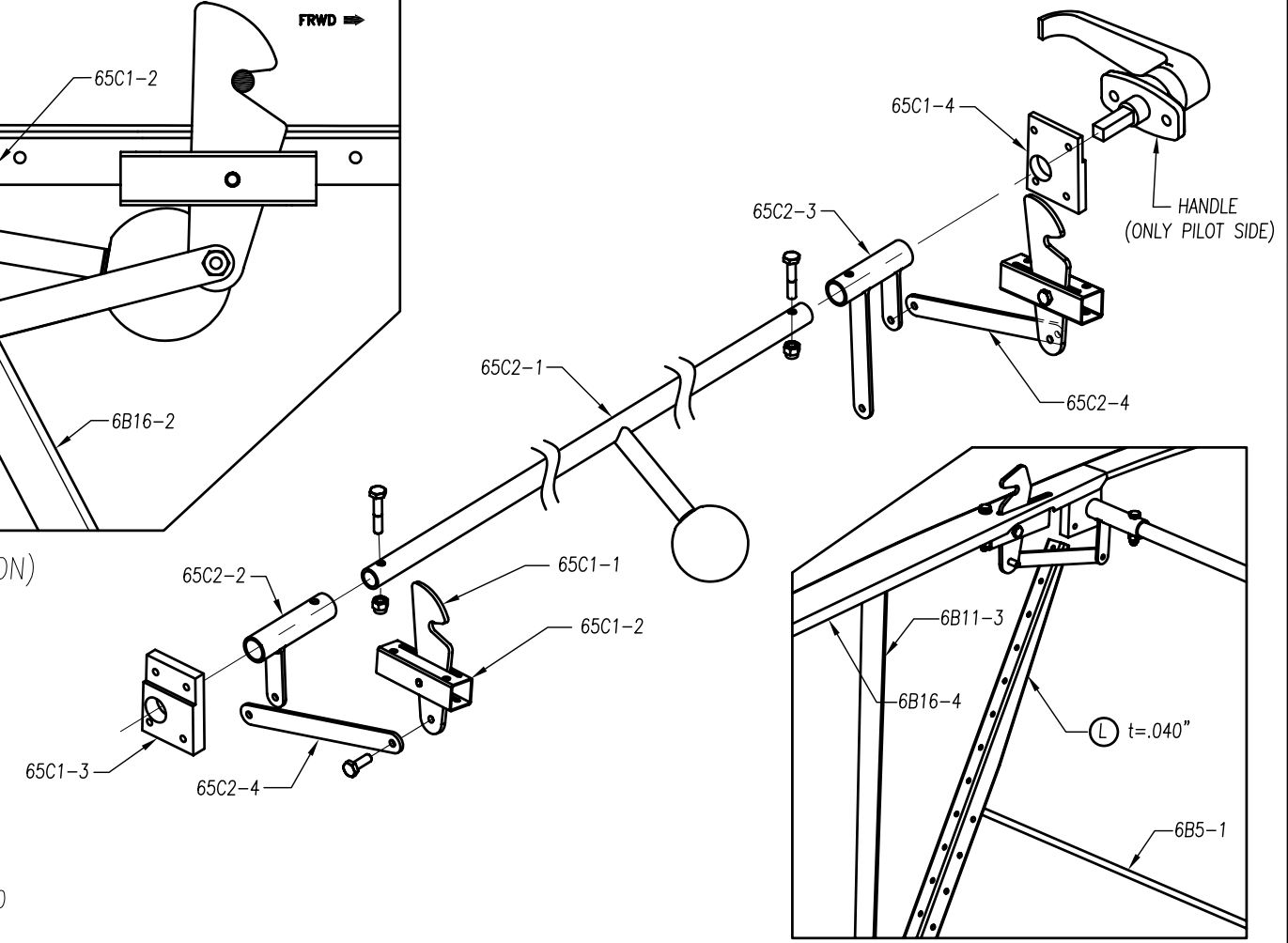
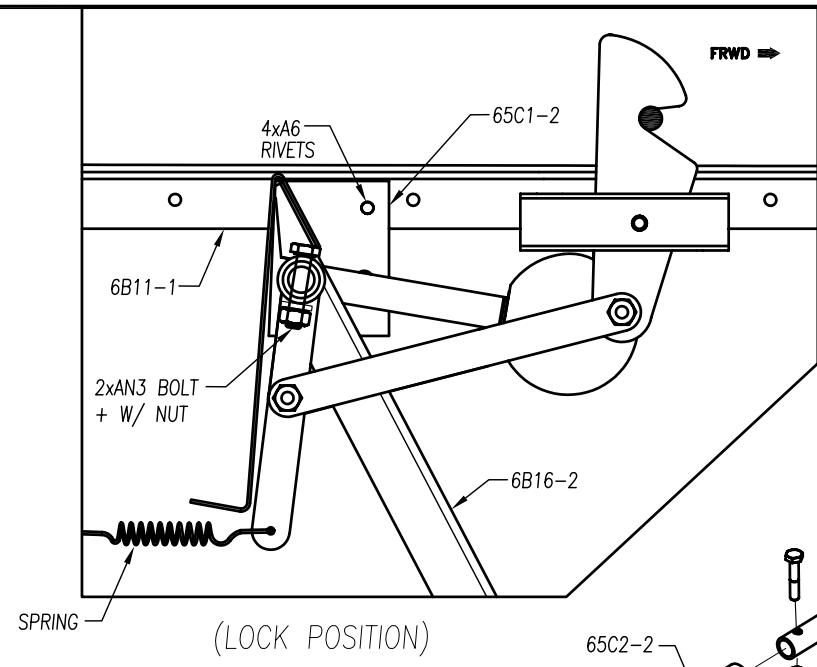
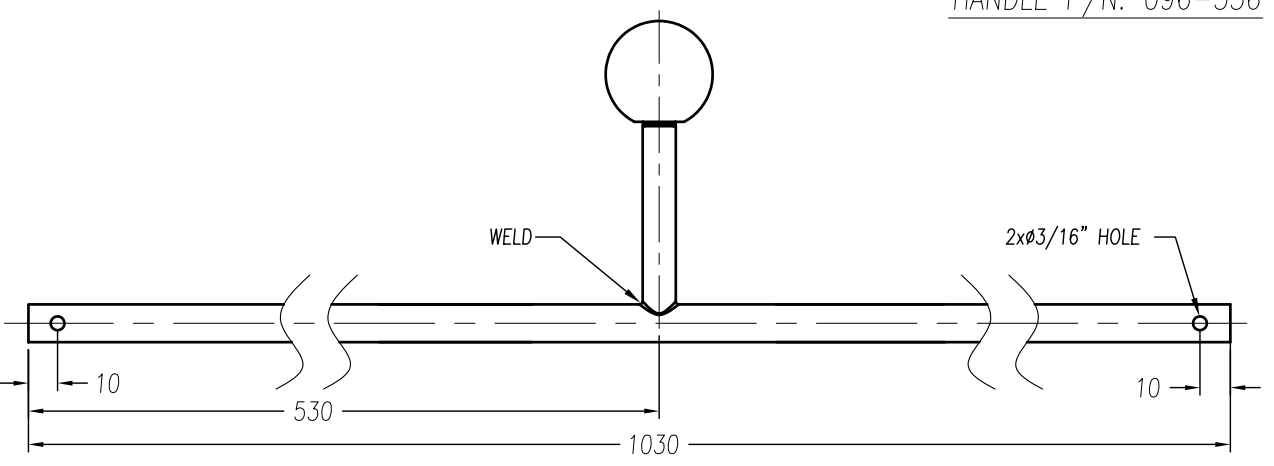
copyright 2007 CHRIS HEINTZ

Zenithair.com

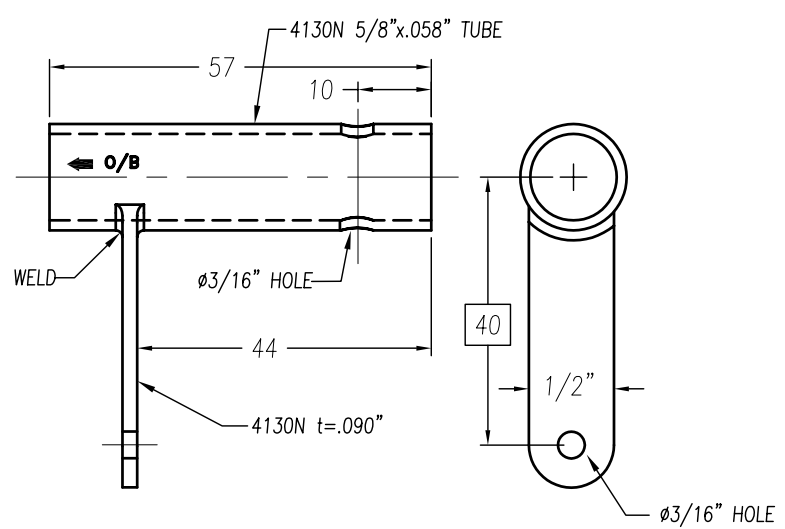
DATE: 08/2008



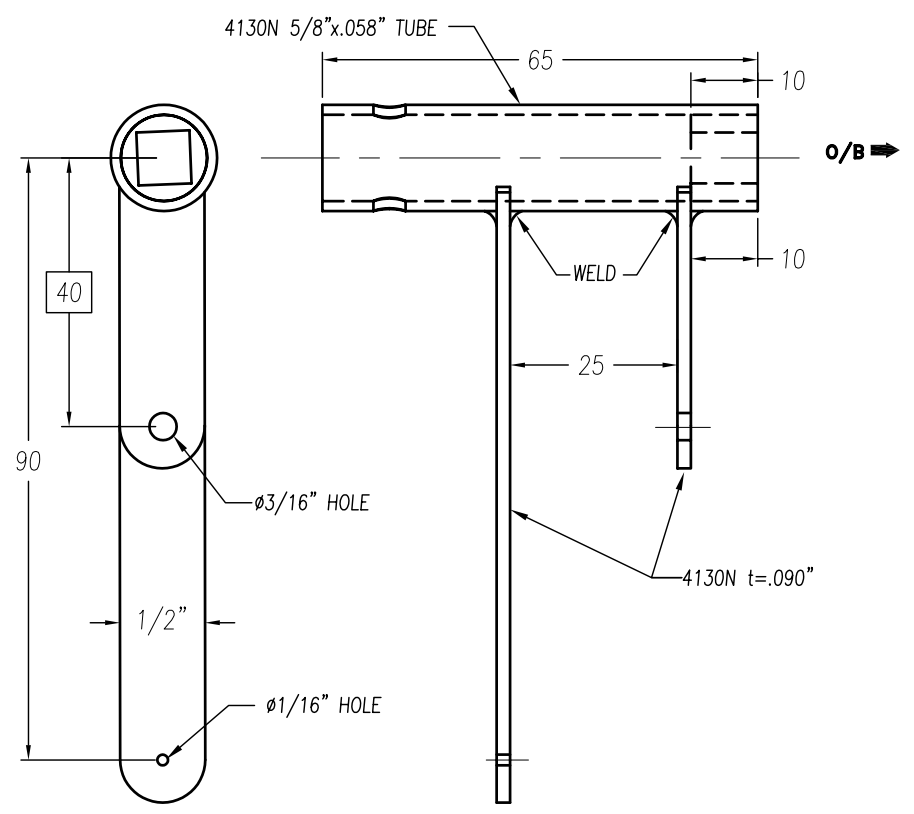
HANDLE P/N: 096-336



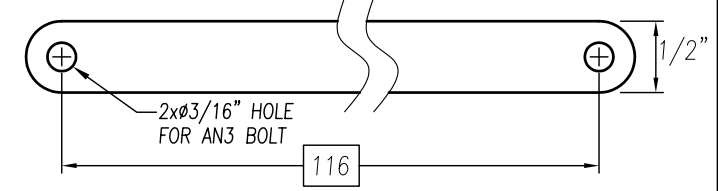
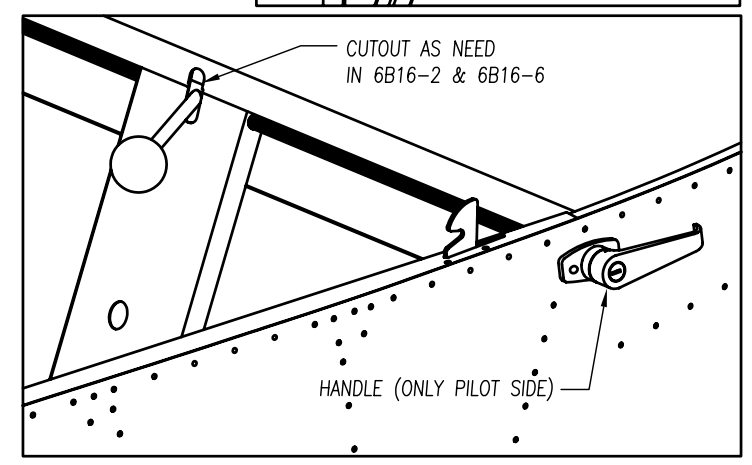
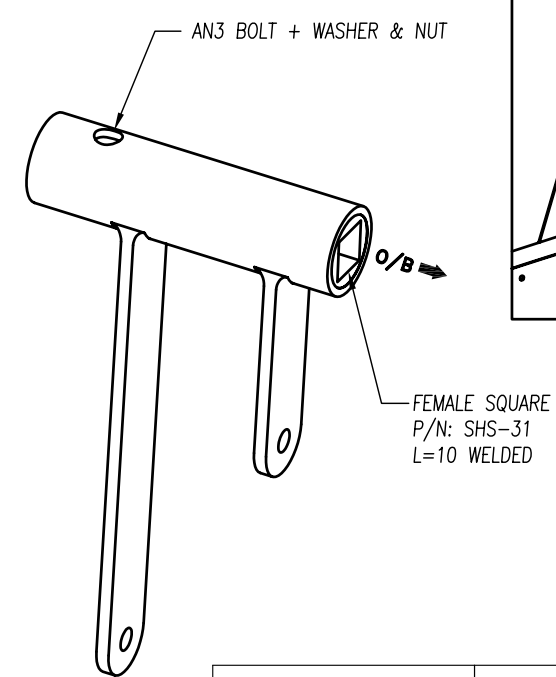
1 MIDDLE CANOPY LOCK TUBE
4130N TUBE 1/2"x .058" (1 REQ'D)



2 O/B TUBE (RIGHT SIDE)
WELDMENT (1 REQ'D)



3 O/B TUBE (PILOT SIDE)
WELDMENT ASSEMBLY (1 REQ'D)



4 ARM
4130 EXT. 1/2"x 1/8" (2 REQ'D)

CH 650	CH 650 CANOPY LATCH	65-C-2
	copyright 2007 CHRIS HEINTZ	Zenithair.com