



Quality aircraft since 1974

*ZENAIR LTD, HURONIA AIRPORT, MIDLAND, ONTARIO, CANADA L4R 4K8
TEL:(705) 526-2871 - FAX:(705)526-8022*

Service Bulletin - OCTOBER 11 2018

Issue Date

October 11 2018. Rev. 1

Subject/Purpose

Elevator Piano Hinge and Stabilizer update

Affected Models

CH 750 Cruzeiro

Compliance Time

Before further flight

Inspection Frequency

Part of the pre-flight inspection and Annual (on-going)

Background

CH 750 Cruzeiro owners reported significant dents and cracks occurred on the leading edge of the horizontal stabilizer near the tip.

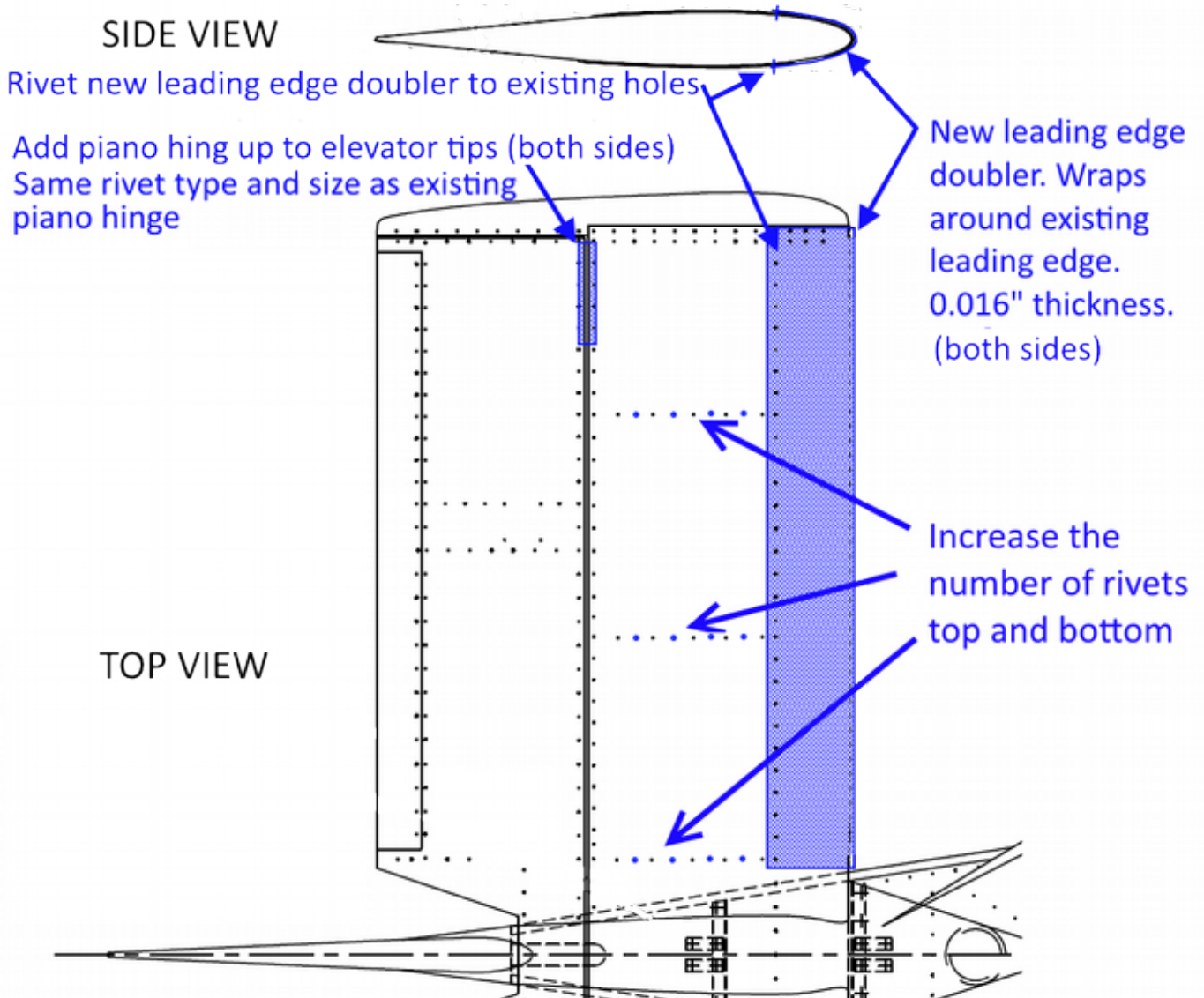
Inspection:

Ensure that the horizontal stabilizer attachment bracket inspection as detailed in the service bulletin dated [\(JAN, 2017\)](#) has been performed and any necessary repairs have been completed.

Action:

Step 1: Increase the length of the piano hinge to the full length of the elevator. This can be done by simply adding small piano hinge sections to the existing piano hinge.

Step 2: Add an aluminum leading edge strip (0.016" or greater) on top of the existing leading edge of the stabilizer over the full span. There is no need to remove the stabilizer from the aircraft. Note that another option is to replace the stabilizer skin with a 0.025".





Rivets have been doubled up in the above photo on ribs centre ribs C75T1-2 and C75T1-3.

Step 3: On Ribs C75T1-2, C75T1-3 the rivet spacing needs to be decreased from 60mm to about 30mm, which will increase the number of rivets between the front and rear spar. On those ribs there needs to be a total of 9 A4 rivets per side as shown in the above photo. Top and bottom.

Before riveting the new doubler leading skin and piano hinge, make sure to clean the inside out for the drilled out rivets. Use the aircraft Design Standards manual and FAR 43.13-1B & 2B if required.

Once complete, check all deflections and Elevator clearances to the Rudder and fuselage including the up-down elevator deflection stops. Check your control cables for proper tensions.

For parts, please contact Zenith Aircraft Co. www.zenithair.com

Please log onto www.newplane.com for continued airworthiness documentation or onto www.zenithair.com

For additional questions and documentation, please contact Zenair Ltd.