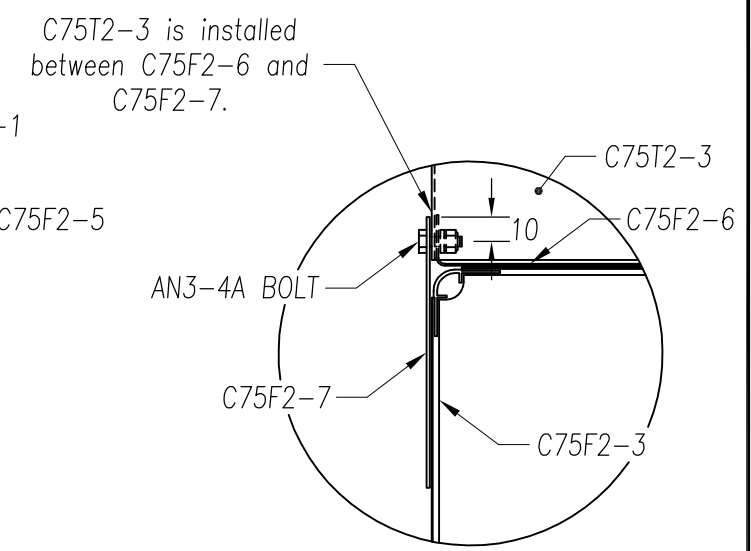


Rear View: Front H.T. Attachment Bracket

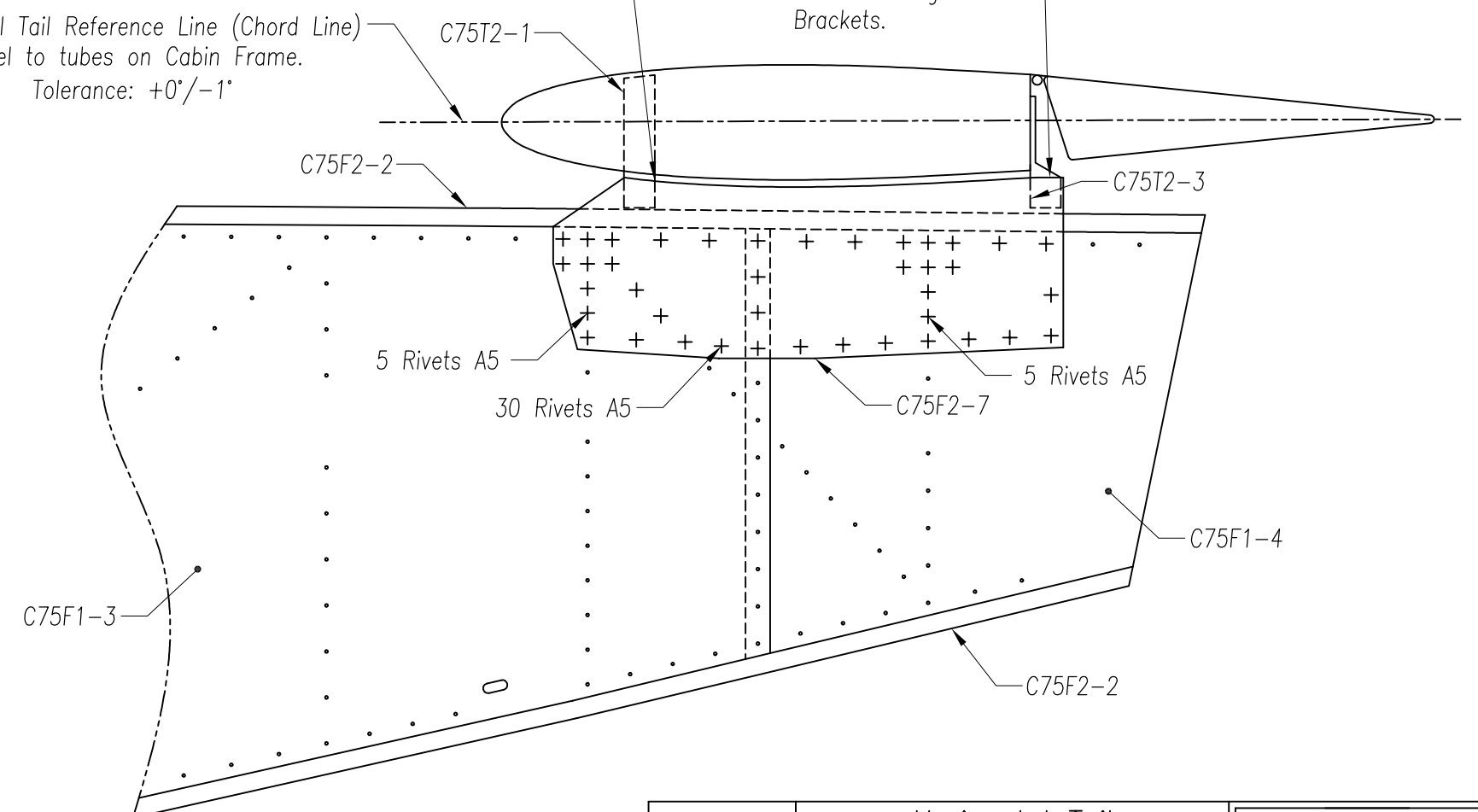
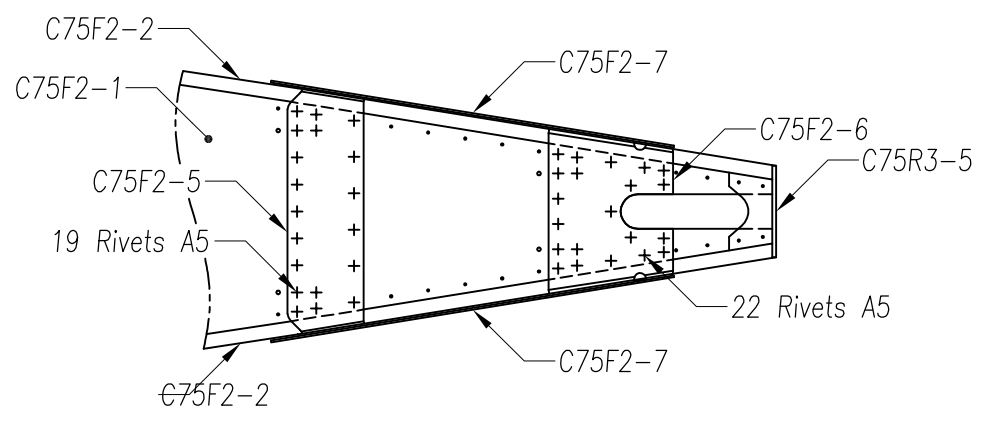


Rear View: Rear H.T. Attachment Bracket

Horizontal Tail leading edge is 90° to the aircraft center line. dL=dR ±20mm.

Horizontal Tail Reference Line (Chord Line)
Level to tubes on Cabin Frame.
Tolerance: +0°/-1°

Position H.T. against Attachment Bracket. All four points should make contact with Attachment Bracket without forcing the Brackets.



| | | | |
|------------------|-------------------------------|---------------|----------|
| Cruzer CH 750 | Horizontal Tail Mounting | | C75-ZA-1 |
| | copyright © 2014 CHRIS HEINTZ | zenithair.com | |