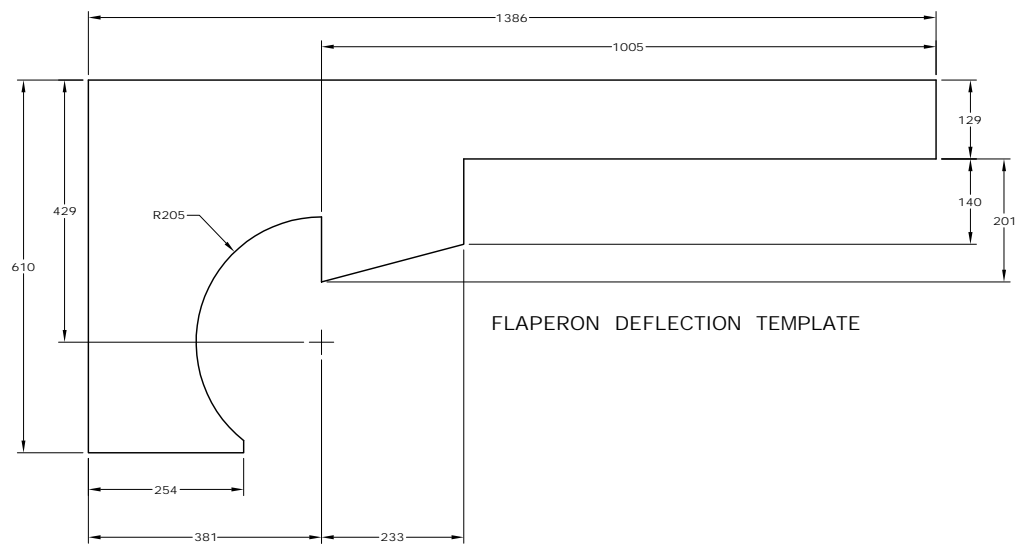


ELEVATOR DEFLECTION TEMPLATE



FLAPERON DEFLECTION TEMPLATE

STOL CH 801	ORIGINAL INFO MJM 09/15/00 REVISION INFO	DESCRIPTION	ASSY NO.
		ELEVATOR AND FLAPERON DEFLECTION TEMPLATES	8CN-3.2
		COPYRIGHT © 2000 ZENITH AIRCRAFT CO. WWW.ZENITHAIR.COM	