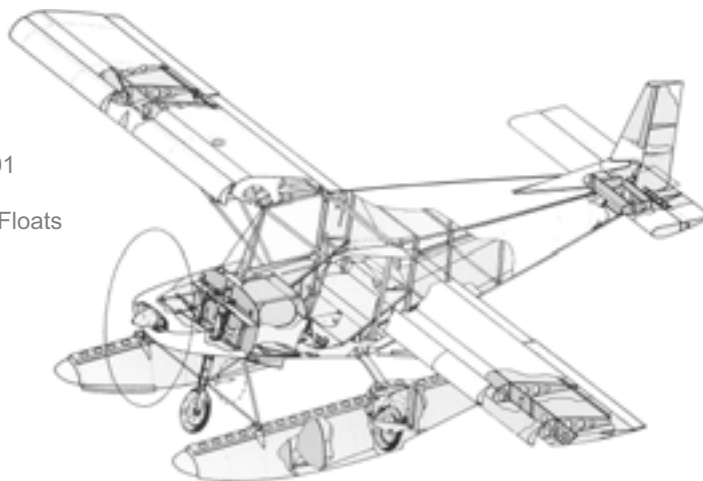


Zenith Aircraft Company

Photo Assembly Guides

STOL CH 701
shown with
Amphibious Floats



For a complete list of the latest available Photo Assembly Guides, see:

- <http://www.zenithair.com/stolch701/7up-manuals.html>
- The online versions of the Photos Guides are presented in low-resolution for quicker downloads.

The Photo Assembly Guides have been written and published strictly for informational purposes to aid and facilitate in the construction of your STOL CH 701 kit aircraft. The guides are to be used together with the STOL CH 701 Drawings (blueprints). The photos are used for general identification only, and are not to be taken to represent technical drawings. You should not consider the educational material in the photo guides to be the practice of general aviation nor is it intended for this guide to be a complete account of sheet metal aircraft technology: it is limited to the scope of the assembly of the STOL CH 701 kit aircraft.

The Photo Assembly Guides are published to supplement (and not replace) the Drawings. If a discrepancy arises between these photo assembly guides and the Drawings, the Drawings always take precedence. This guide is not intended to replace, substitute or supersede any technical information contained in the STOL CH 701 Drawings and Manuals, Newsletter Updates, or any Federal Aviation Administration regulations. Information contained in these photo assembly guides has been obtained by Zenith Aircraft Company from sources believed to be reliable, however, we cannot guarantee the accuracy or completeness of any information published herein and we shall not be responsible for any errors, omissions, or potential damages arising out of use of this information.

© Copyright Zenith Aircraft Company, 2004

Zenith Aircraft Company

Mexico Airport, Mexico, Missouri 65265-0650 USA

www.zenithair.com