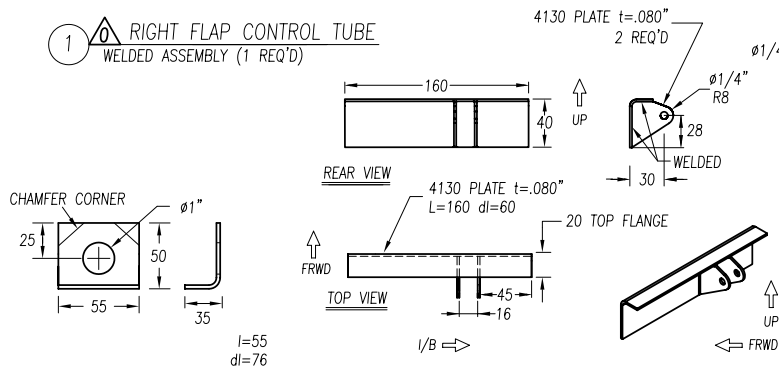
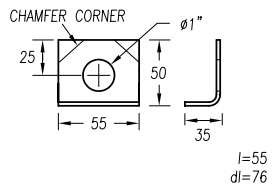


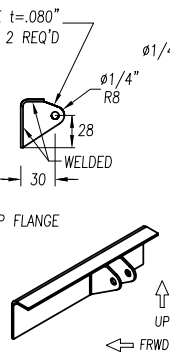
1 **RIGHT FLAP CONTROL TUBE**
WELDED ASSEMBLY (1 REQ'D)



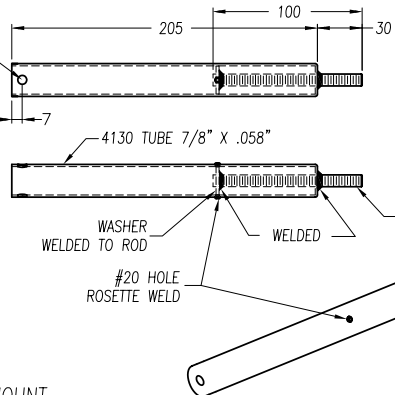
5 **FLAP CONTROL BEARING**
t=.125\"/>



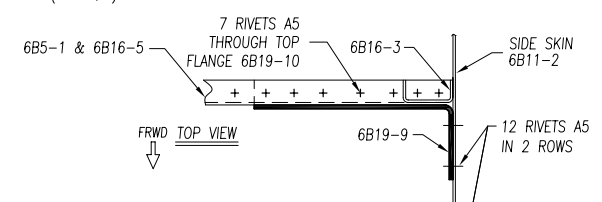
10 **LINEAR ACTUATOR MOUNT**
WELDED ASSEMBLY (1 REQ'D)



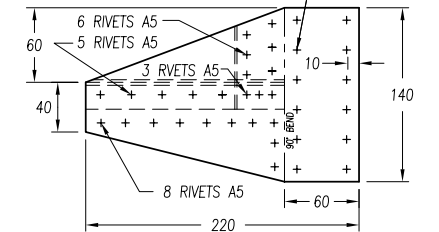
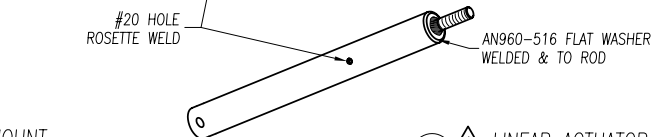
2 **LEFT FLAP CONTROL TUBE**
WELDED ASSEMBLY (1 REQ'D)



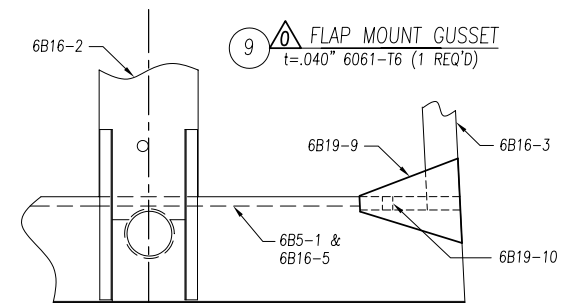
3 **FLAP CONTROL ARM**
WELDED ASSEMBLY (1 REQ'D)



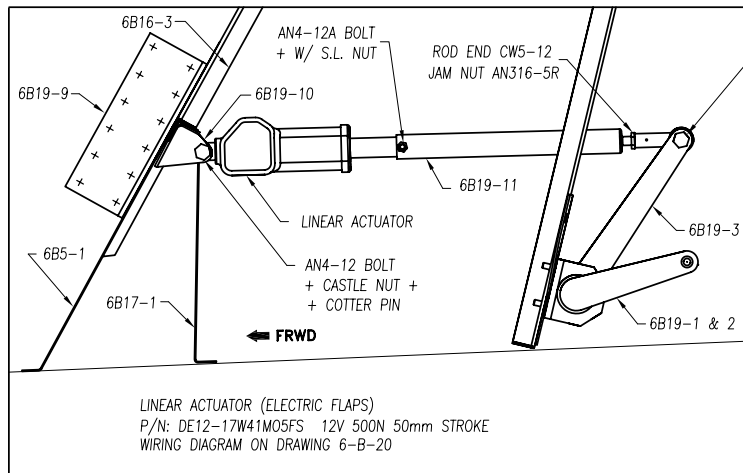
11 **LINEAR ACTUATOR ROD**
WELDED ASSEMBLY (1 REQ'D)



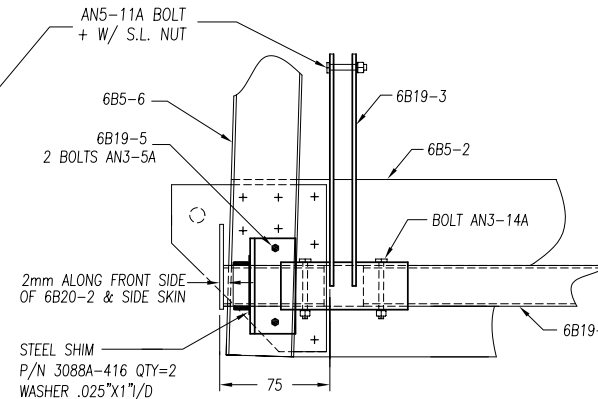
9 **FLAP MOUNT GUSSET**
t=.040\"/>



LEFT SIDE FRONT VIEW: GUSSET 6B19-9 INSTALLED ON FRONT SIDE OF SEAT PANEL 6B5-1, MOUNT 6B19-10 POSITIONED ON BACK SIDE OF ANGLE 6B16-5



LINEAR ACTUATOR (ELECTRIC FLAPS)
P/N: DE12-17W41M05FS 12V 500N 50mm STROKE
WIRING DIAGRAM ON DRAWING 6-B-20



LEFT SIDE REAR VIEW: BEARING 6B19-5 POSITIONED ON BACK SIDE OF CHANNEL 6B5-2 WITH 2 BOLTS THROUGH UPRIGHT 6B5-6 & PLATE 6B5-4

NOTE: CENTER OF CONTROL TUBE 6B19-1 AND 6B19-2 IS IN LINE WITH CENTER OF FLAP PIANO HINGE 6W1-4

ZODIAC
CH 601 XL

FLAP CONTROLS
(ELECTRIC FLAP ACTUATOR)

6-B-19

copyright© 2002 CHRIS HEINTZ zenithair.com DATE: 11/06