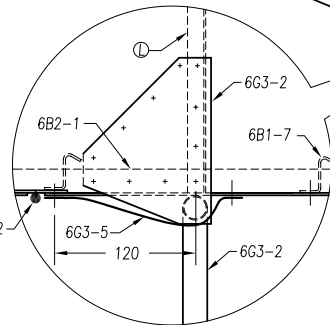
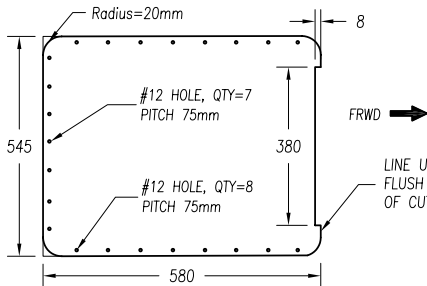


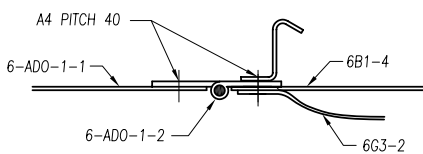
OVERLAP OF Z ANGLES AND LONGERONS



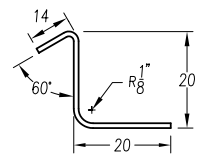
SIDE VIEW
STEP FAIRING DETAIL



1 ACCESS DOOR
t=.025" 6061-T6 (1 REQ'D)



2 ACCESS DOOR PIANO HINGE
1-1/2" OPEN, AN257-4 length=380mm



CUT TO FIT
l=1219 (4 FEET)
dl=50

Z STANDARD 'Z' ANGLE
t=.025" 6061-T6 (4 REQ'D)

ACCESS DOOR OPTION
FRAME CUTOUT WITH Z ANGLES:
REPLACE L AT 1535 WITH Z
CUT L AT 1135
ADD Z ANGLE AT 985
(RIVETED WITH 6G3-5)
ADD Z ALONG SIDES

ZODIAC
CH 601 XL

ACCESS DOOR OPTION
BOTTOM FUSELAGE

6-ADO-1