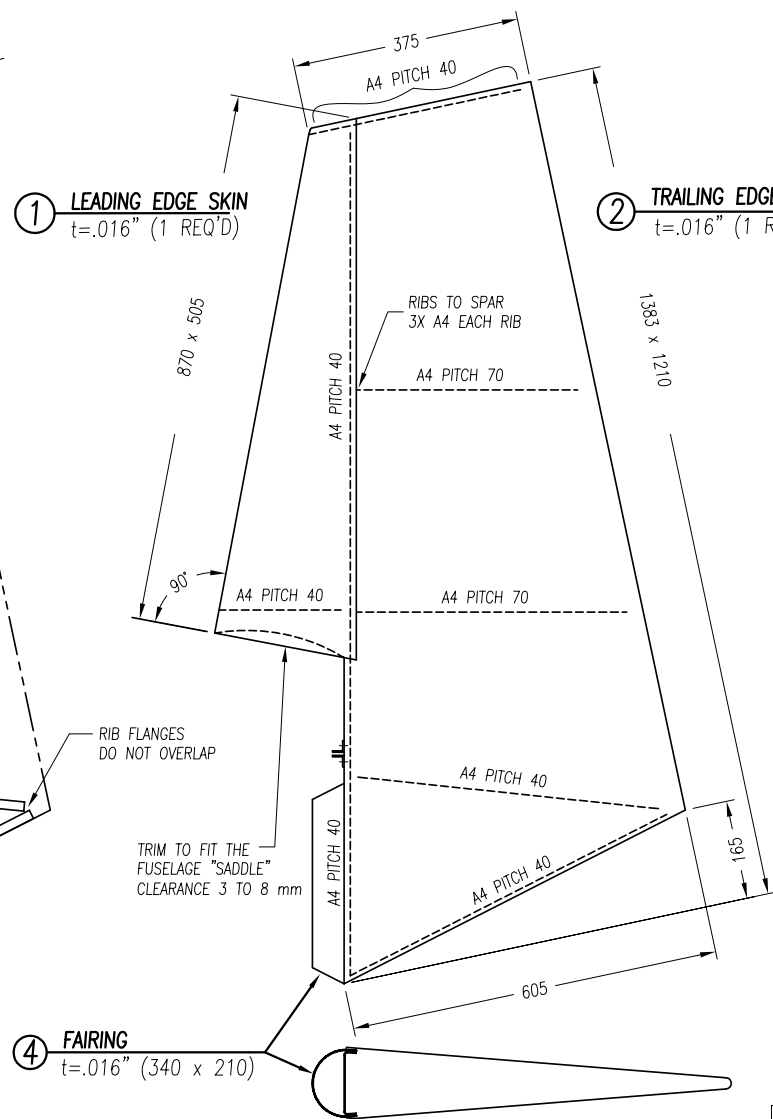
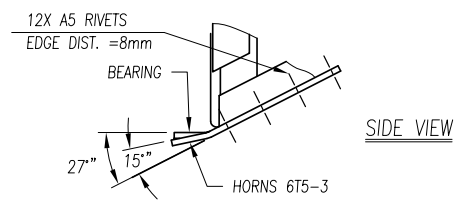


⑤ **BENT STRIP**
35 x 77 t=.025"

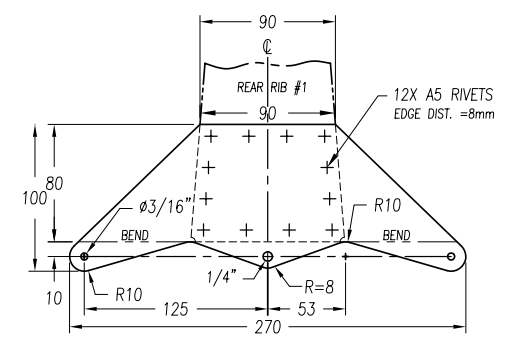


① **LEADING EDGE SKIN**
t=.016" (1 REQ'D)

② **TRAILING EDGE SKIN**
t=.016" (1 REQ'D)



SIDE VIEW



③ **VERTICAL TAIL HORN**
t=.125" 270 x 100 (1 REQ'D)

④ **FAIRING**
t=.016" (340 x 210)

ZODIAC CH 601 XL	VERTICAL TAIL SKELETON & SKINS VERTICAL TAIL HORN	6-T-5
	copyright © 2000 Zenith Aircraft Co. zenithair.com	

EDRINK: 1st 01/01