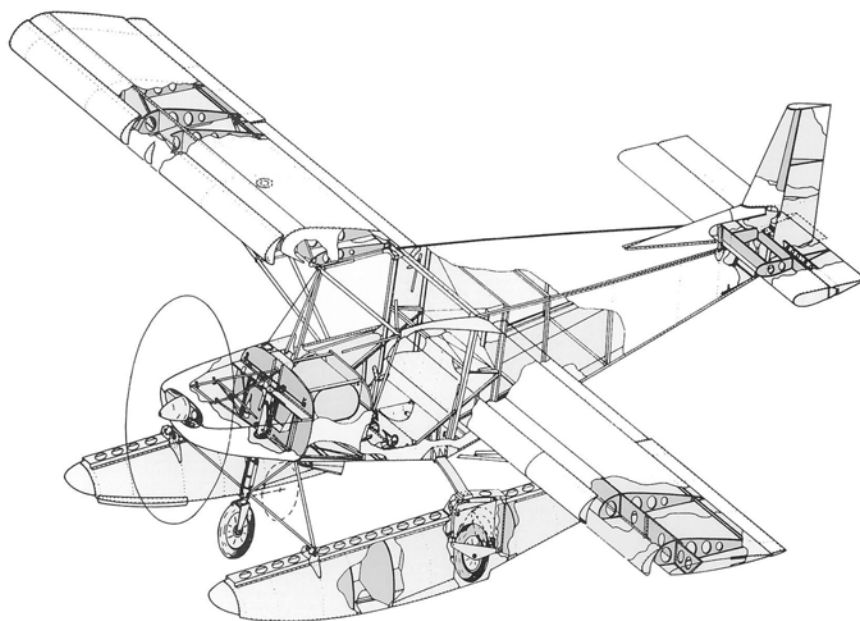
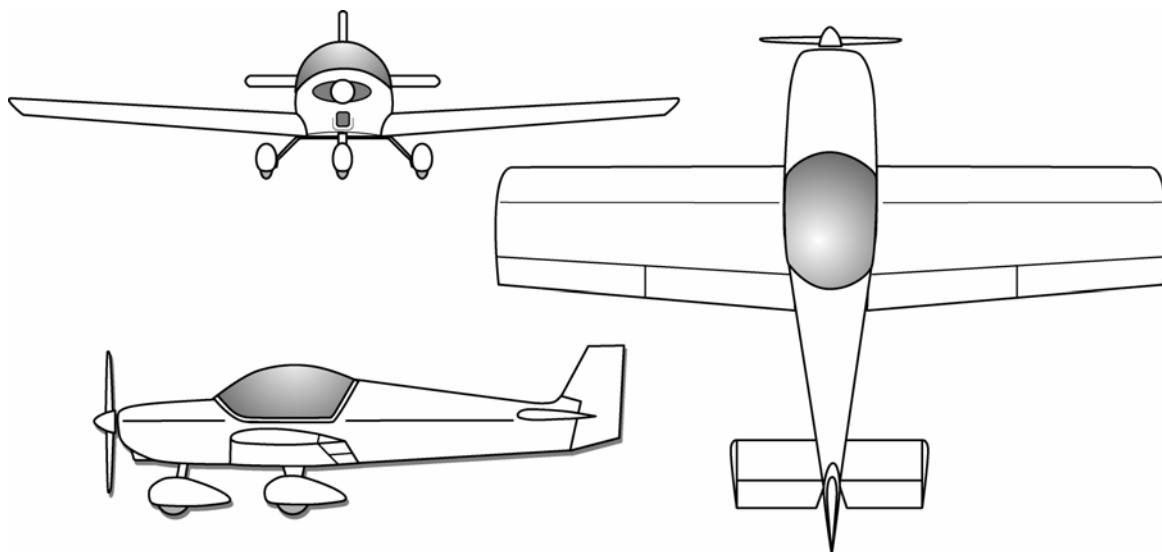


CONSTRUCTION STANDARDS

FOR ZENAIR LIGHT AIRPLANES



© Copyright Chris Heintz, 1985 - 2011

Draft Edition: March 22, 2011

Zenith Aircraft Company
Mexico Airport, Mexico, Missouri 65265-0650 USA
www.zenithair.com

INDEX**CS #000**

| GENERAL INFORMATION | <u>CS Number</u> | <u>Page Number</u> |
|--|----------------------|--------------------|
| Index of CS ----- | CS #000 ----- | 2 |
| Purpose of Construction Standards (CS) ----- | CS #001 ----- | 3 |
| Drawings ----- | CS #002 ----- | 4 |
| Symbols & Abbreviations----- | CS #003 ----- | 5 |
| SHEET METAL CONSTRUCTION | | |
| Skin Overlaps – Rivet Line Location ----- | CS #100 ----- | 6 |
| Edge Distance, Pitch ----- | CS #101 ----- | 7 |
| Hole Diameter – Countersink – Dimpling----- | CS #102 ----- | 8 |
| Deburring - Edge Finish ----- | CS #103 ----- | 9 |
| Riveting: Custom Nose Pieces: A4 & A5 ----- | CS #104 ----- | 10 |
| Corrosion Protection ----- | CS #105 ----- | 11 |
| Twist ----- | CS #106 ----- | 12 |
| MATERIALS | | |
| Specification ----- | CS #200 ----- | 13 |
| Aluminum Alloy / Properties ----- | CS #201 ----- | 14 |
| Steel ----- | CS #202 ----- | 15 |
| Welding Rod ----- | CS #203 ----- | 16 |
| Other: Plexiglass, Fairleads, Bearings----- | CS #203 ----- | 16 |
| PART FABRICATION | | |
| General Tolerances – Length ----- | CS #300 ----- | 17 |
| Bend Radius ----- | CS #301 ----- | 18 |
| Bending – Angles ----- | CS #302 ----- | 19 |
| Bend Straightness----- | CS #303 ----- | 20 |
| Close Tolerance. – Main Wing Spar & Rib Height ----- | CS #304 ----- | 21 |
| Flanged Lightning Holes ----- | CS #305 ----- | 22 |
| Formed Ribs ----- | CS #306 ----- | 23 |
| Corner Relief Cutout ----- | CS #307 ----- | 24 |
| FASTENERS | | |
| Blind Rivets – Avex Aluminum A4 & A5 ----- | CS #400 ----- | 25 |
| Blind Rivets – Stainless Steel ----- | CS #401 ----- | 26 |
| Solid Rivets – Shear Strength ----- | CS #402 ----- | 27 |
| Solid rivets – Tolerances ----- | CS #403 ----- | 28 |
| Solid rivets – Eccentric ----- | CS #404 ----- | 29 |
| Bolts ----- | CS #405 ----- | 30 |
| Bolts – Airframe bolts ----- | CS #406 ----- | 31 |
| Torque Value for AN bolts ----- | CS #407 ----- | 32 |
| Nutplates – Rivnuts ----- | CS #408 ----- | 33 |
| CONTROL HARDWARE | | |
| Turnbuckles – Shackles – Nico Press ----- | CS #500 ----- | 34 |
| Cable – Push Rods ----- | CS #501 ----- | 35 |
| Rod Ends – Piano Hinge ----- | CS #502 ----- | 36 |
| Bushings ----- | CS #503 ----- | 37 |
| CORRECTION & REPAIRS | | |
| Scratches - Cracked or Damaged Parts ----- | CS #602 ----- | 38 |
| Replacing & Adding Rivets ----- | CS #603 ----- | 39 |
| Skins & Joints ----- | CS #605 ----- | 40 |
| Shimming----- | CS #606 ----- | 41 |
| COMMENT & SUGGESTION FORM ----- | | 42 |

The purpose of the Construction Standards (CS) is to outline in a handy manual format the standards to be used for manufacturing (building), maintaining and/or repairing your Zenair light aircraft.

Whereas the drawings and photo assembly guides for a specific model show the parts, dimensions, assemblies, the specific tolerances where required, as well as the assembling procedures, the present Construction Standards (CS) supply the general specifications as per the index CS #000. The CS is the source for the recommended and acceptable raw material, suggested rivets and their correct installation. It also goes over the suitable type of bolts when threaded fasteners are specified in the drawing. The author hopes that the CS will allow the builder/manufacturer to acquire a better understanding of the process and to minimize the need for questions and requests for approval to fix mistakes and perform repairs.

The Construction Standards reflect the successful design philosophy of designer Chris Heintz, and applies to modern sheet metal construction for light aircraft. They are straight forward and efficient methods proven by their “in-service experience” on the designer’s airplanes since 1970.

NOTE: The FAA’s AC 43-13 “Acceptable Methods, Techniques, and Practices” may alternatively be used.

UPDATES, REVISION: Check for current drawing list on web site, www.zenithair.com/bldr/index.html.

PHOTO ASSEMBLY GUIDE: Some pictures of the different assemblies may not correspond with the drawings. The drawings always come first.

METRIC SYSTEM

All manufacturing dimensions on the designer's drawing are given in metric (millimeters), with the exception of standard North America raw material and hardware which are specified in inches (")

1" = 25.4mm

1kg=2.2lbs

NOTE: The drawings are not full scale on purpose. This will avoid the temptation you may have to measure the drawing, or check the parts against them. This could lead to inconsistencies as paper shrinks and expands with humidity and size variation occurs with printing.

Also: The number of rivets is given in digits (so is the pitch spacing between holes);

NEVER COUNT THE + MARKINGS ON THE DRAWINGS

VISUAL INSPECTION

Check for:

- Corrosion protection where applicable and on all steel parts.
- Do all rivets squeeze the matching parts tightly? No burrs in between?
- Proper edge distance?
- Are all items safety-tied as required? (Cotter pin, locking wire, etc ...).
- Are the bolts tight and of correct length?

| | |
|---|---|
| <p>6061-T6 aluminum alloy - heat treatment 4130 steel alloy (N normalized, A annealed)</p> <p>AD solid rivets (hard) AN / MS aircraft hardware (army navy / military standard) A3 Avex blind rivet 3/32" diameter aluminum rivet A4 Avex blind rivet 1/8" diameter aluminum rivet A5 Avex blind rivet 5/32" diameter aluminum rivet AS5 Avex blind rivet 5/32" diameter stainless steel rivet (these rivets have domed head, use a flat nose piece on the riveter)</p> <p>AWG American wire gauge</p> <p>CH Chris Heintz CL aircraft center line CG center of gravity dl developed length DWG drawing</p> <p>e edge distance EXT extrusion F.95 flanged lightening hole 95mm diameter HL Hinge Line H.T. horizontal tail I/B Inboard</p> <p>LE Leading Edge L left (capital L, sitting in aircraft facing forwards) l length (small l)</p> | <p>FRWD forward MAC mean aerodynamic chord mm millimeters NPT national pipe thread O/B outboard OD outside diameter (tube) Plc's places P/N part number QTY quantity</p> <p>R right (sitting in aircraft facing forwards) R1/4" or R1/8" or R3 bend radius R12 edge distance radius (see CS#101) REQ'D quantity required S.L. nylon self locking nuts AN365 S.S. stainless steel STOL short take off and landing STN station</p> <p>t material thickness in thousands of an inch TD tail dragger V voilure (wings) drawing 7-V-0 W/ with XL Zodiac CH 601 XL Yu coordinates to upper curvature Yl coordinates to lower curvature</p> |
|---|---|

SYMBOLS

- ~ approximate
- “ inches \approx .025”
- Ø hole diameter, drill bit size Ø 3/16”
- # number, #30 drill bit
- < less than
- ≤ less than or equal
- > greater than
- ≥ greater than or equal
- ° degree, 90°
- +/- tolerance
- & and
- x multiplication (times)

- |a| absolute value of ‘a’
- hidden line
- △ increment (change)

TERMINOLOGY

Fairlead: wear resistant plastic material (nylon) to guide control cables through airframe.
 No rivet zone: indicates an area where holes will be drilled later through an overlapping part at a later time.
 Pitch: maximum distance between rivets along a rivet line.
 Web: flat surface between flanges (spar, ribs, and channels).

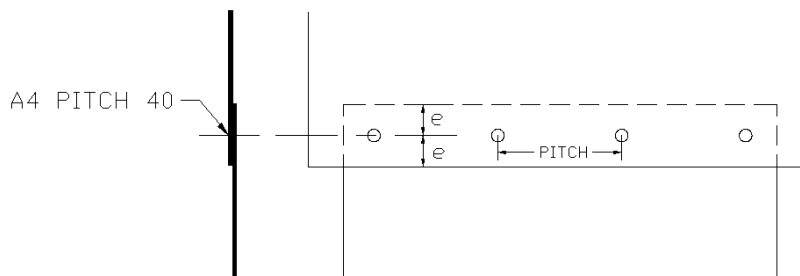
WORKING TOLERANCES:

Follow the dimensions indicated in the drawings as closely as possible. You are building a well designed light aircraft and not a jet airliner. Use common sense (for example it is easier to remake a spar which is 1/8" (3mm) too narrow than to start altering all the ribs and other parts which have to fit to the spar; besides the structural integrity, the flying characteristics and the performances may be adversely affected...)

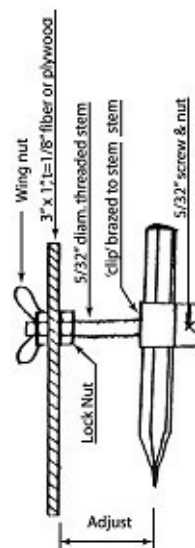
Try to achieve an accuracy of: 1/64" (.5mm) on spar and rib heights,
 1/16" (1.5mm) on all other parts
 1/8" (3mm) on the various assemblies and rivet spacing.

For drilled holes, the applicable tolerances are automatically provided when using the tools correctly. There are only a very few close tolerances to be respected. They are only common sense and shown on the drawings. Do not let yourself be discouraged with anyone else's differing opinion, or by reading too much...

SHEET METAL JOINTS: The skins overlap on top of each other. The drawings show the suggested position and rivet pitch of the sheet joints:



- Rivet lines: Use soft tip marker. NEVER USE A SCRIBE! Berol China marker (grease pencil), or Col-erase Pencil (color pencils) can also be used.
- Mark the rivet line on the rib flanges, use a marking gauge:
- Lay out the rivet pitch (spacing between holes) shown on the drawings. The drawings provide either the rivet pitch, or the number of rivets.



Marking gauge

After drilling, the parts are temporarily held in position with 'clecos'. Use the clecos as you drill an assembly together. When everything fits, disassemble, deburr the holes, apply corrosion protection, reassemble and rivet. When there is a choice, the original rivet head should be on the side of the thinnest part, or the outside of the aircraft.

Rivet Holes:

Standard edge distance for A4 and A5 = 10mm.

RIVET LINE: STRAIGHT LINE WITH OFFSET = e

END HOLE: FIRST AND LAST HOLE IN A RIVET LINE SET AT e FROM THE EDGES.

RIVET SPACING: FIRST LAYOUT THE RIVET LINE, SET THE END HOLES AT EACH END OF THE RIVET LINE, THEN DIVIDE THE INTERVAL FOR THE SPECIFIED PITCH.

CHECK: RIVETS IN THE INTERVAL ARE EVENLY SPACED.

PITCH = MAX DISTANCE BETWEEN RIVETS

TOLERANCE +1.5mm

e = EDGE DISTANCE, MEASURED FROM CENTER OF HOLE TO EDGE OF SHEET

MINIMUM = $1.5d$

d = HOLE DIAMETER

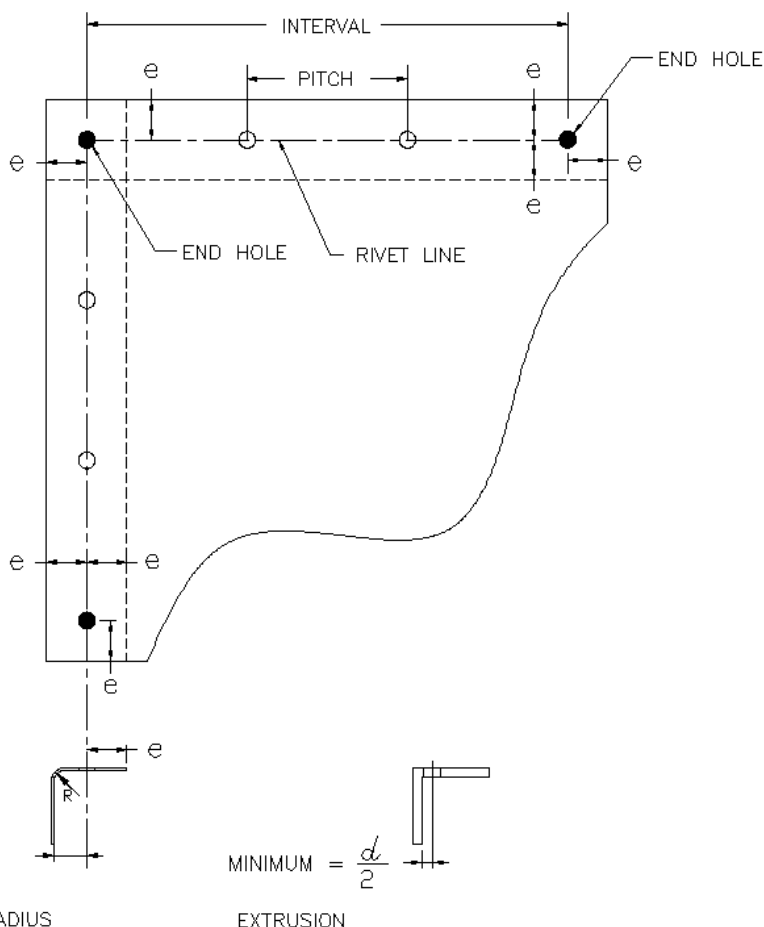
R = RADIUS

MINIMUM DISTANCE TO FLANGE = $R + \frac{d}{2}$

BENT RADIUS

MINIMUM = $\frac{d}{2}$

EXTRUSION

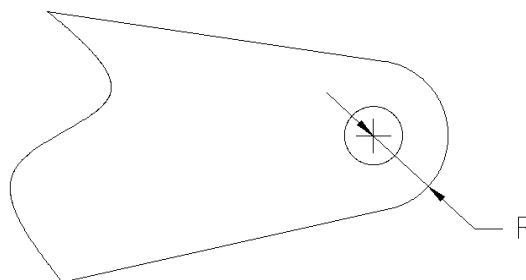


Bolt Holes:

Minimum edge distance, R_{min} , AN-3 through AN-8 bolts in 6061-T6 and 4130:

$$R_{MIN} = 1.5 \times d$$

R = Edge distance radius



HOLE DIAMETER

CS #102

RIVETS HOLES

| | | | | |
|---|------------------|-----------------|----------------|------------------|
| RIVET DIAMETER | 3/32" (2.4mm) | 1/8" (3.2mm) | 5/32" (4mm) | 3/16" (4.8mm) |
| NOMINAL DIAMETER (mm) NUMBER DRILLS | 2.38 #40 | 3.18 #30 | 3.97 #20 | 4.76 #12 |
| MAX. ACCETPABLE DIAM. IN $t < 1.0\text{mm}$ | 2.7mm | 3.5mm | 4.4mm | 5.2mm |
| MAX. ACCETPABLE DIAM. IN $t \geq 1.0\text{mm}$ | - | 3.8mm | 4.8mm | 5.7mm |



DRILLING: Compact electric drill (Approx. 2000 RPM) fitted with a rubber washer or rubber hose on drill bit shank (prevents damages to metal).

BOLT HOLES

Unless otherwise specified, bolt holes have the standard drill tolerance as follows:

| | | | | | | |
|---------------------|----------------|------|----------------|------|-------|------|
| BOLT AN | 3 | 4 | 5 | 6 | 7 | 8 |
| DIAMETER (mm) | 4.76 | 6.35 | 7.94 | 9.53 | 11.11 | 12.7 |
| DRILL SIZE (inches) | 3/16 | 1/4 | 5/16 | 3/8 | 7/16 | 1/2 |
| TOLERANCE (mm) | +0.20 -0.02 | | +0.30 -0.02 | | | |

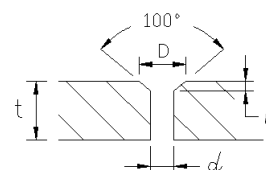
Only when reaming is specified on the drawings, the hole tolerance up to 20mm diameter (3/4") is +.04mm -.02mm

DIMPLING performed only up to and including $t=1.0\text{mm}$ (0.040")

| | | | | |
|--|-------------------|-------------------|-------------------|-------------------|
| RIVET DIAMETER | 3/32" (2.4mm) | 1/8" (3.2mm) | 5/32" (4mm) | 3/16" (4.8mm) |
| MAX. ACCETPABLE DIAMETER AFTER DIMPLING: | 0.110" (2.8mm) | 0.146" (3.7mm) | 0.185" (4.7mm) | 0.217" (5.5mm) |

MACHINE COUNTERSKING: For material thickness $t \geq 1.2\text{mm}$ (0.047") and extrusions (unless otherwise specified on the drawings).

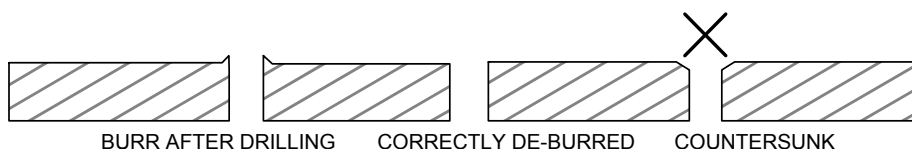
| | | | |
|------------|--------|--------|-------|
| 426 RIVETS | AD-3 | AD-4 | AD-5 |
| $D=1.8d$ | 4.3mm | 5.8mm | 7.2mm |
| $h=0.4d$ | 0.96mm | 1.28mm | 1.6mm |



$t \geq 1.2\text{mm}$

DE-BURRING: Using a drill bit to deburr thin material has tendency to countersink the hole, on the other hand, deburring with the flat side of a file can have a tendency to draw the edges of the hole: however, when using a numbered drill, the hole will be drilled oversize so it will not be necessary to force the rivets in the holes.

It is unusual for a drilled hole to leave fracture marks around the hole. The purpose of deburring is to assure contact between the parts: to remove burrs that have accumulated between the parts.



EDGE FINISH

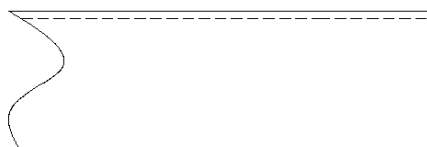
Sheet metal is cut with shear, snips, saw etc. As a general rule all primary structural tension members (i.e. structure subject to tensile stress in normal operation, wings spar caps, horizontal and vertical tail spar caps, fuselage longerons) shall not show the cutting mark: these are removed by lengthwise abrasion (body file, etc.)

Shear marks, (not saw marks) are acceptable on torsion and/or shear members and other secondary structural members.

On thicker sheets and plates shear marks are acceptable when a 100% visual inspection does not detect cracks (example: control horns, etc.)

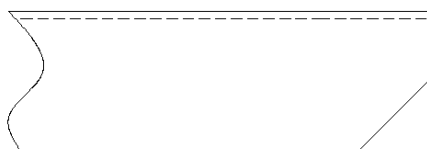
Ends: Stringers, Stiffeners, Brackets and Angles:

The ends can be left:



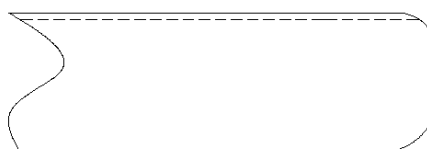
SQUARE

or



CHAMFERED

or

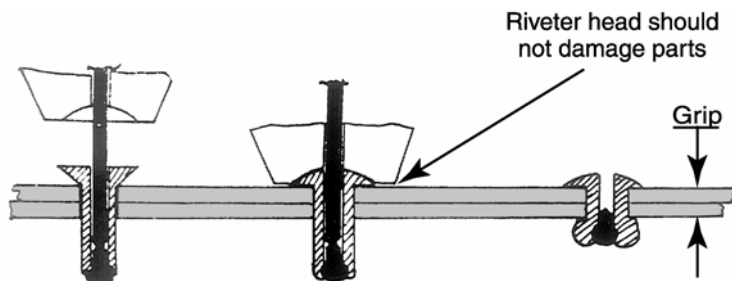


ROUNDED

The blind rivets are set with a hand riveter or pneumatic riveter, machined with customized heads (nose piece) - it is easy, fast and quiet. They are used with access from one side only (no dolly or bucking bar is needed).

On the drawings; they are designated A4 and A5 and require minimum shear strength of 110 and 180 pounds respectively. The recommended rivets A4 and A5 (and supplied in the kit) are the Avdel "Avex" blind rivet. They have shear strength of 130 and 220 pounds respectively (stem removed). These aluminum rivets are corrosion resistant, they are multi-grip (you do not need many lengths for each diameter), and the stem is locked in (does not fall out).

The flush countersunk Avex rivet type A4 and A5 supplied in the kit need a specially machined head piece on the puller to get a low, protruding rounded head:



| <u>Zenair Denomination</u> | <u>Avdel Avex Ref.</u> | <u>Grip range</u> |
|----------------------------|------------------------|----------------------|
| A4 | 1604-0412 | 0 to 1/4" (0 to 6mm) |
| A5 | 1604-0514 | 0 to 5/16 (0 to 8mm) |

To modify the riveter head: The objective is to bring the outer edge of the rivet down on the skin; the most effective is when the machined diameter of the nose piece is equal to the diameter of the rivet head. This will require two different size riveter heads, one for the A4 and another for the A5.

The machine depth is the distance from the sheet to the top of the rivet head; check the depth by pulling some rivets: if the nose piece marks and leaves a ring on the sheet then it is too deep; simply file the nose piece down. If there is a gap between the edge of the rivet head and the sheet then the nose piece is not deep enough.

Expect the standard (flat) riveter head (nose piece) to have been tempered by the manufacturer. Before it can be machined, de-temper (soften it) by heating it up with a blow torch until it glows. Let it cool off and proceed to machine the head. With aluminum rivets, it is not necessary to do any additional heat treatment to the nose piece.

CORROSION PROTECTION:

CS #105

The CH aircraft have been designed to minimize corrosion as much as possible through the use of available materials (use of corrosion resistant 6061 alloy, no materials with large electro-potential difference in contact, etc.). If aircraft is based near the sea (salt or Na = sodium) or in a severely polluted industrial area (acid rain) the interior of the structure should all be primed with Zinc-Chromate primer or other equally effective primers after first degreasing the surface. This should obviously be done before riveting the various parts together.

When applying corrosion protection, the minimum application is to cover the rivet line where parts are riveted or bolted together (such as the overlap of the rib flange with the wing skins). Covering the complete part takes a little longer and adds additional weight; however, it will give a more uniform protection.

When to apply corrosion protection

In the kit, the parts are supplied in the bare state; they have not been treated with a corrosion inhibitor: during storage keep the parts in a dry environment at all times. First drill and cleco the parts as shown in the drawings, disassemble, and deburr. Apply the primer on the internal structure and let dry completely. The traditional method is to apply Zinc-Chromate primer on the individual parts.

Metal preparation for before priming

Gently scuff up the surface with a Scotch-bright general purpose hand pad 3M product P/N 7447+ (plastic pad similar to pad on back side of some sponges found around the kitchen!) do not use steel wool. De-grease the surface with a solvent on a clean rag, such as lacquer thinner. Apply the primer on both matting surfaces, let dry, then cleco the parts together for riveting. Only apply the primer on the inside surfaces, the primer may not be compatible with the top coat or paint!

Zinc-Chromate (Zn-Cr) primer

Read all safety labels: in some States Zinc-Chromate is prohibited. Zinc-Chromate primer is still readily available by mail order from most aircraft suppliers.

It comes in a concentrated paste much too heavy to brush on. You can either use the recommended solvent or simply use lacquer thinner as a reducer. With a spoon, scoop some out into another container, add solvent, and stir to dissolve the paste. Use a 2" bristle paint brush to apply the primer on the parts, if the solution looks too light, add in some more of the paste: all that is required is a thin coat of uniform color. Avoid a thick heavy coat that can also become brittle and flake off! A single application is applied to each part; let it dry completely before assembly.

Brushing the primer on the parts is one way to avoid breathing over-spray or vapors that may otherwise be associated with spraying!

OTHER NEWER APPROACHES / ALTERNATIVES

Cortec:

An alternative to Zinc-Chromate is Cortec VCI 373; this is a water based primer to treat the internal structure. This product lends itself to spraying with HVLP spray equipment.

Corrosion X System: tel: 800-638-7361

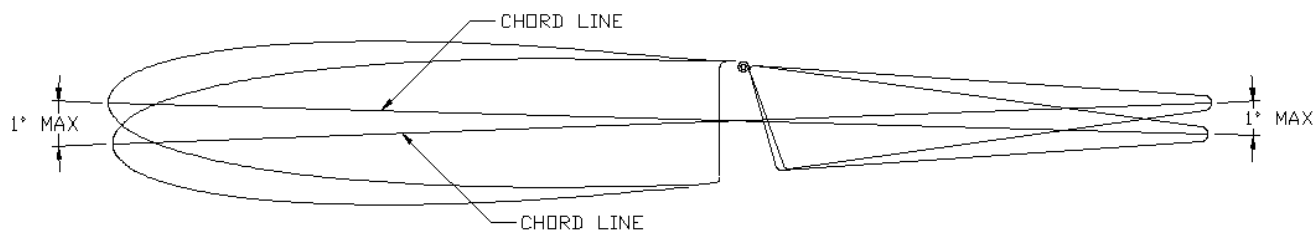
An alternative to applying primers is Corrosion X System, this is sprayed after the sections are assembled to wait until the entire plane is built and spray corrosion resistant oil on the internal parts. The oil finds its way through all the seams and holes.

TWIST TOLERANCE:

CS #106

Elevator, Stabilizer: designed with zero twist

Max twist = 1 degree



MATERIAL SPECIFICATIONS

CS #200

| | RECOMMENDED: MATERIAL/ SPECIFICATION | | POSSIBLE ALTERNATIVE: MATERIAL / SPECIFICATION | | DO NOT USE |
|-----------------|--|-----------------------|--|--|-----------------------------------|
| ALUMINUM SHEETS | 6061-T6 | QQA 250/11 | 6061-T651 2024-T3 2024-T352 2024-T4 | QQA250/4 | 6061-T4 7075 series 6063-T6 |
| STEEL PLATE | 4130 | AISI 1025 | 4130N Low carbon steel Mild steel | MIL-S 18729N (normalized) AISI 8630 MIL-S 18728 | |
| BAR & RODS | 6061-T6 | QA 225/8 | 2024-T3 2024 -T4 2011-T3 | QQA 225/6 QQA 225/3 | |
| EXTRUSIONS | 6061-T6 | QQA 200/8 | 6061-T6511 2024-T3 2024-T4 | | 6061-T4 6351-T4 |
| DRAWN TUBE | 4130N (seamless round tube) | MIL-T 6736B S 6731 | AISI 8630 AISI 8735 to MIL-T 6733 AISI 4140, AISI 8740 etc. WW-T 700/6 MIL P-25995 pipes 5052-0 (fuel lines only) | MIL-T 6732 MIL-T 6734A | 6061-T4 6351-T4 |

Note: Specs. Updates, and/or equivalent specs are acceptable.

- Firewall: Any galvanized, low carbon steel is suitable.
US std. gauge for sheet steel: gauge 26 = .46mm = .0187"
- Fiberglass Fairings use parts supplied by manufacturer.
(Fairing: polyester + fiberglass)
- Windshield, Windows, and Canopy: acrylic and polycarbonate

ALUMINUM ALLOY / PROPERTIES

CS #201

| ALLOY & TEMPER | SPEC. SHEETS & PLATES | DIMENSIONS | | TOLERANCE ON THICKNESS (mm) | WEIGHT PER SHEET | |
|----------------|--------------------------|------------|-----|-----------------------------------|------------------|------|
| | | INCHES | mm | | KG | LBS |
| 6061-T6 | QQA-250/11 | .016" | .4 | } ± .06 | 5 | 11 |
| | | .020" | .5 | | 6.1 | 13.5 |
| | | .025" | .6 | | 7.6 | 16.7 |
| | | .032" | .8 | | 9.6 | 21 |
| | | .040" | 1.0 | ± .075 | 12.6 | 27.5 |
| | | .063" | 1.6 | ± .10 | 20 | 44 |
| | | .090" | 2.3 | ± .11 | 27.4 | 60 |
| | | .125"=1/8" | 3.2 | ± .12 | 40 | 88 |
| 3/16" | 4.8 | ± .16 | 60 | 132 | | |
| etc. | | | | | | |

STANDARD SHEET SIZE = 4 X 12 FEET = 1219 X 3660mm

$$\text{UNIT WEIGHT (Kg/m}^2\text{)} = \text{DENSITY (Kg/dm}^3\text{)} \times \text{THICKNESS (mm)}$$

$$\text{DENSITY} = 2.7 \text{ Kg/dm}^3 \text{ (6061)}$$

WHERE APPLICABLE THE MANDATORY GRAIN DIRECTION IS SHOWN ON DRAWING: 

MECHANICAL PROPERTIES

TYPICAL MINIMUM "A" VALUE FROM MIL HDBK-5 (SHEETS AND EXTRUSIONS)

| | ULTIMATE F _{tu} (kg/mm ²) | YIELD F _{ty} (kg/mm ²) | ELONGATION e (%) | BEARING F _{bru} (kg/mm ²) e/D=2 | BEARING F _{bru} (kg/mm ²) e/D=1.5 |
|-----------|---|--|---------------------|---|---|
| 6061-T6 | 29.5 | 24.6 | 8 | 62 | 47 |
| 6351-T6 * | 29.5 | 26.0 | 10 | 62 | 47 |

* See Alcan 51S (or CSA,HA5, GS11R)

NOTE: 1Ksi = 10³ psi = 0.703 Kg/mm²

STEEL**CS #202****- Mild Steel Mechanical Properties**

| Yield Strength Kg/mm ² | Ultimate Tensile Strength Kg/mm ² | Bearing strength Kg/mm ² |
|--------------------------------------|---|--|
| 25.3 | 38.6 | 63.3 |

Chromium-molybdenum (Chrom-moly) alloy:

- Plate: ASI Alloy 4130N Mechanical Properties

| Yield Strength Kg/mm ² | Ultimate Tensile Strength Kg/mm ² | Elongation % | Bearing Strength Kg/mm ² |
|--------------------------------------|---|-----------------|--|
| 53 min | 67 min | 12 | 98 min |

- Plate: 4130 annealed Mechanical Properties

| Yield Strength Kg/mm ² | Ultimate Tensile Strength Kg/mm ² | Elongation % |
|--------------------------------------|---|-----------------|
| 37 min | 50 min | 25 |

Steel parts: When "steel" is specified on the drawings, standard carbon alloy or mild steel, is suitable.

STEEL

| BASE MATERIAL | ROD |
|---|-----------|
| Low alloy or carbon steel ("mild" steel) 4130N Chromium molybdenum steel 8630N and 8735 Nickel chromium, molybdenum steel | ER-80SD-2 |
| 18-8 stainless steel (exhaust) AISI 321 or equivalent | SS 347 |

- 4130N use normalized chrome-moly steel. After welding, let cool down in calm air (not a draft).
- Stainless steel (for exhaust manifold) AISI 321 (or equivalent 18-8 chrom-nickel Weldable alloy, such as AMS 5510 etc., ASTM-A 167, etc, ASME-S 167, etc, Or MIL-E 1993, etc., or AISI 304, etc.)

ALUMINUM

| BASE MATERIAL | ROD |
|--|----------------------|
| PURE ALUMINUM (1100 SERIES) MANGANESE ALLOY (3003 SERIES) MAGNESIUM + SILICON ALLOY (6000 SERIES) MAGNESIUM ALLOY (5000 SERIES) | SAME AS BASE OR 1100 |

WELDING: Unless you are a pro, have the welded parts welded professionally. Use electric or gas welding for 4130N and steel, TIG for the aluminum Fuel tanks.

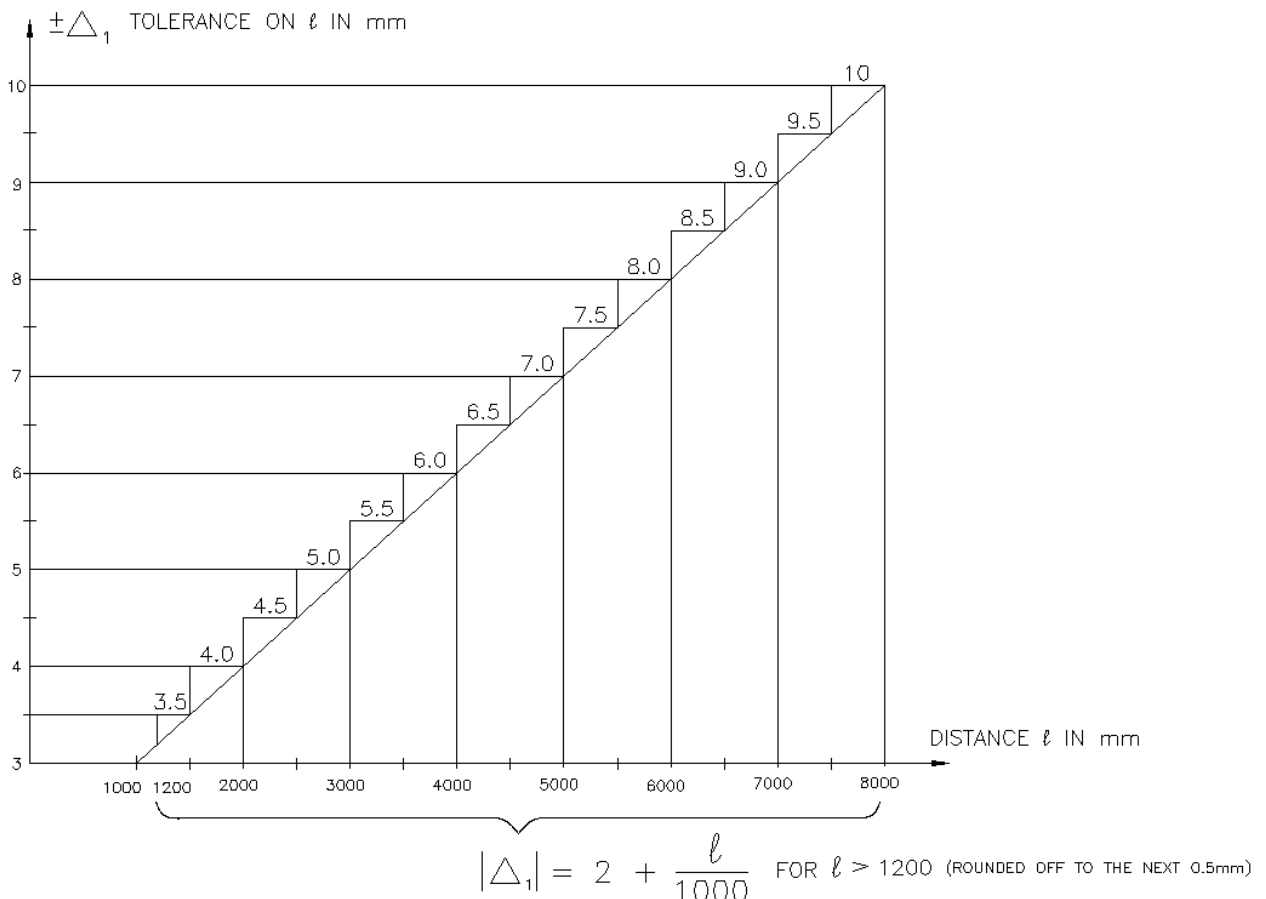
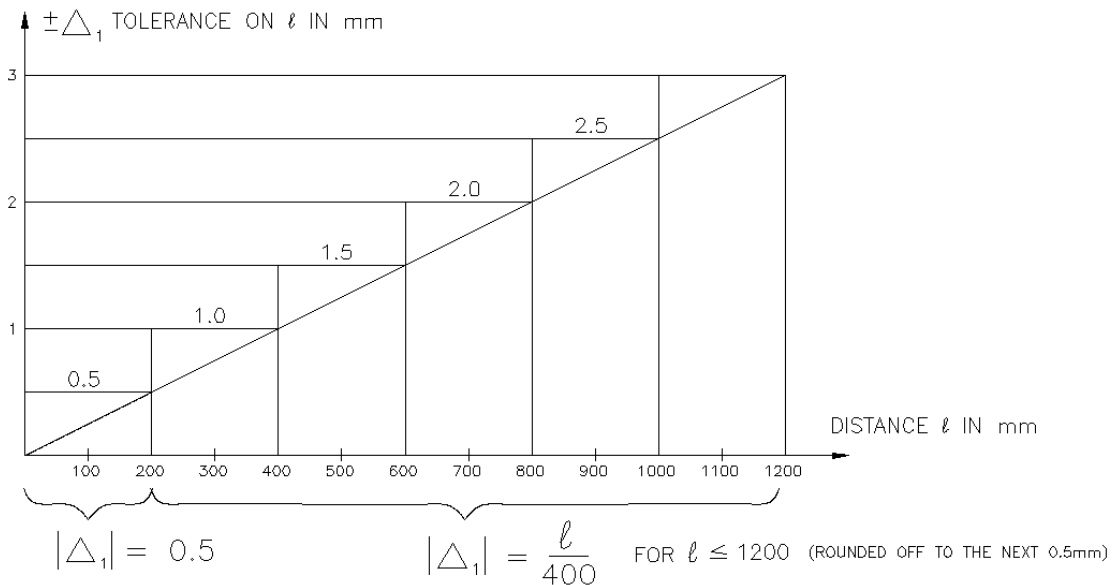
HEAT TREATMENT: Heat treatment is not a homebuilder's technique. Zenair aircraft have been designed so that no heat treatment is required by the builder.

GENERAL TOLERANCES – LENGTH

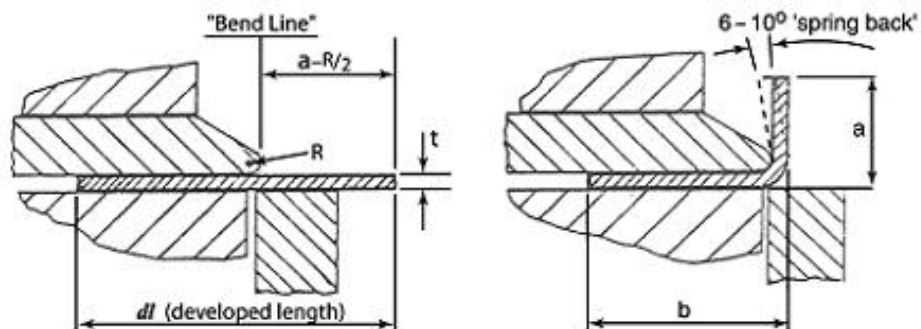
CS #300

The following system has been adopted in the absence of a general metric tolerance system, together with the specific tolerances of the CS and drawings where applicable.

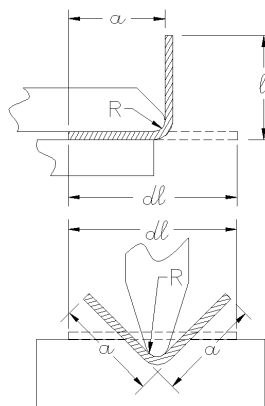
Tolerance for length, for shearing or cutting sheets metal and extrusions:



Bending brake:



Press brake:



DEVELOPED WIDTH (LENGTH): $dl \approx a + b - (\frac{R}{2} + t)$

$dl \approx a + b - 2$ FOR $R=3\text{mm}$, $t \leq 1\text{mm}$ (0.040")

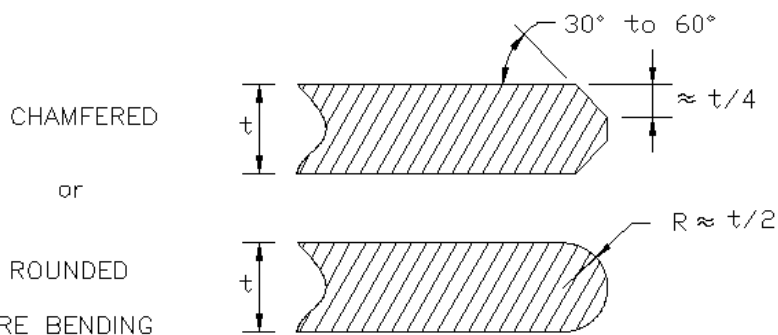
UNLESS OTHERWISE SPECIFIED ON THE DRAWINGS:

THE MINIMUM BEND RADIUS IS: $R_{\text{min.}} = 3 \times t$ FOR $t \leq 1\text{mm}$ (.040")

FOR ALL PRACTICAL PURPOSE: $R = 3\text{mm}$ (1/8") FOR $t \leq 1\text{mm}$ (.040")

$R = 6\text{mm}$ (1/4") FOR 1.6mm (0.063") $\leq t \leq 3.2\text{mm}$ (0.125")

NOTE: FOR $t \geq 1.6\text{mm}$ (0.063"), THE EXTREMITIES ARE TO BE



BENDING - ANGLES: GENERAL TOLERANCE

CS #302

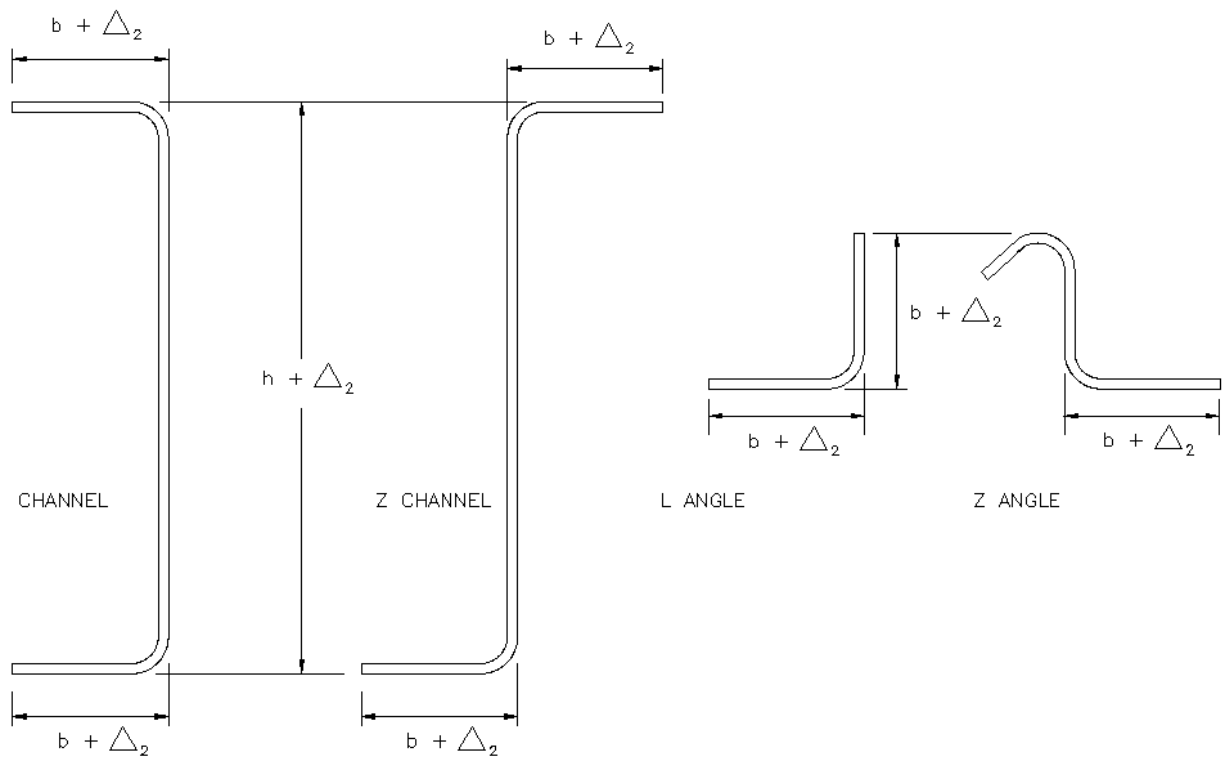
Note: 1.5mm (0.060") is readily obtained in production and visually checked without precision measuring equipment.

Channel height & formed flange width:

Δ_2 = MAX. ACCEPTABLE = $\pm 1.5\text{mm}$

b = FLANGE WIDTH

h = HEIGHT



Built up assemblies:

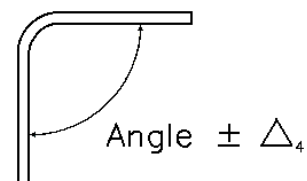
$$\Delta_3 \text{ MAX. ACCEPTABLE} = \pm \sum |\Delta_1|$$

ABSOLUTE VALUE

SUMMATION OVER ALL PARTS

Angles:

$$\Delta_4 = \pm 1.7 \text{ DEGREES (3 DEGREE SLOPE)}$$

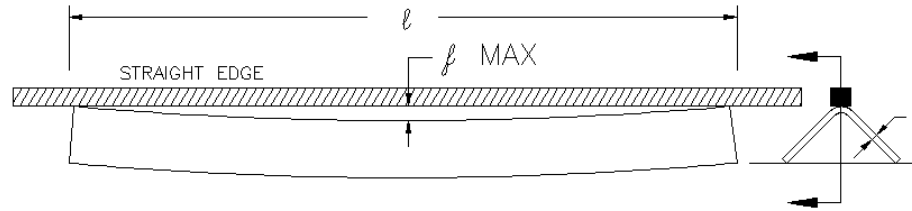


BENT STRAIGHTNESS

CS #303

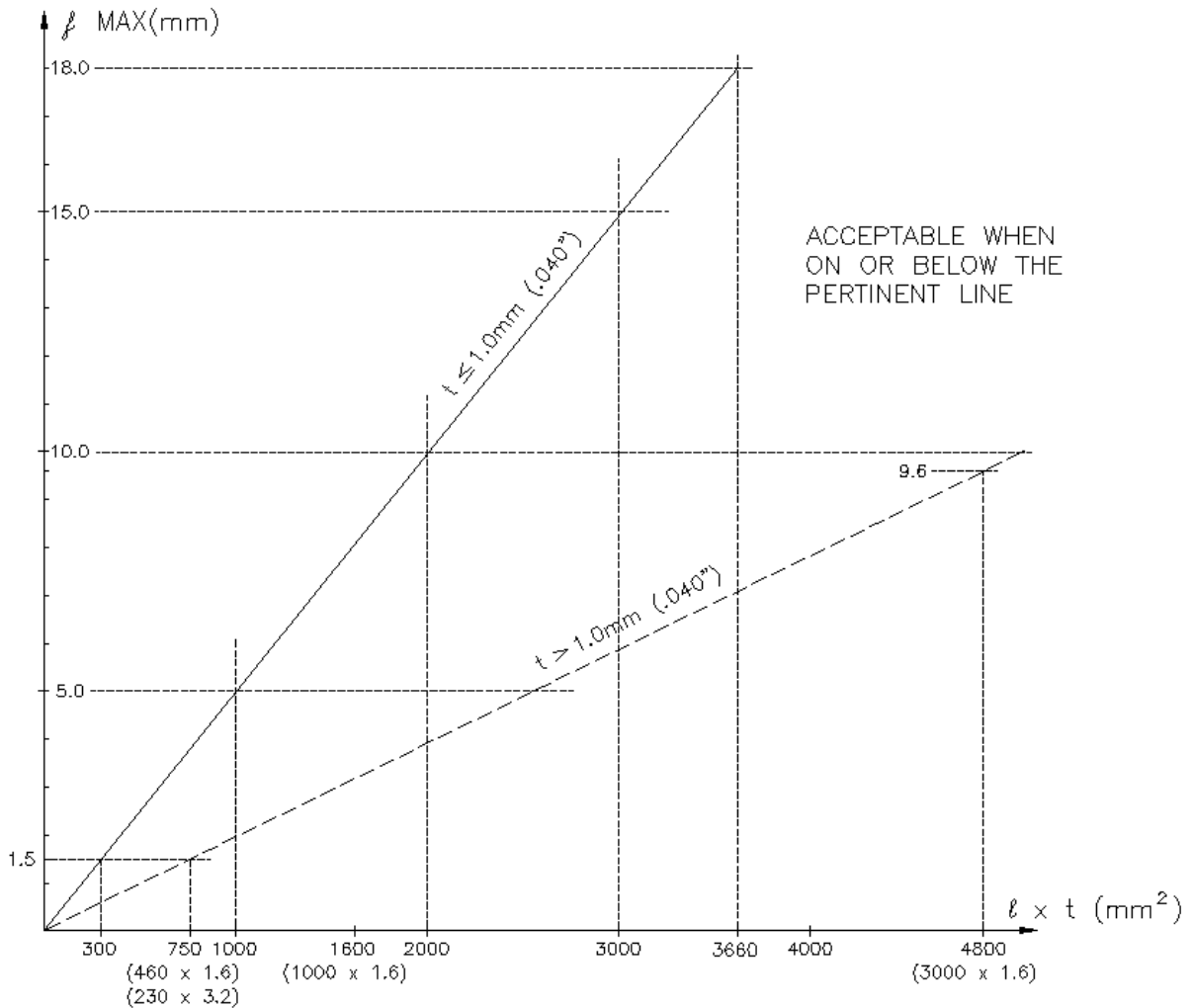
In addition to the tolerances given in CS #300, CS #301, and CS #302 the following tolerances apply:

- BEND STRAIGHTNESS

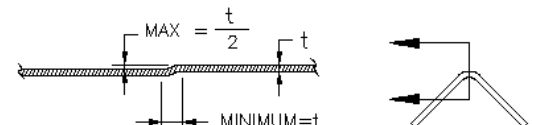


FOR $t \leq .040''$ f (MAX ACCEPTABLE) = $\frac{l}{200}$

FOR $t > .040''$ f (MAX ACCEPTABLE) = $\frac{l \times t}{500}$



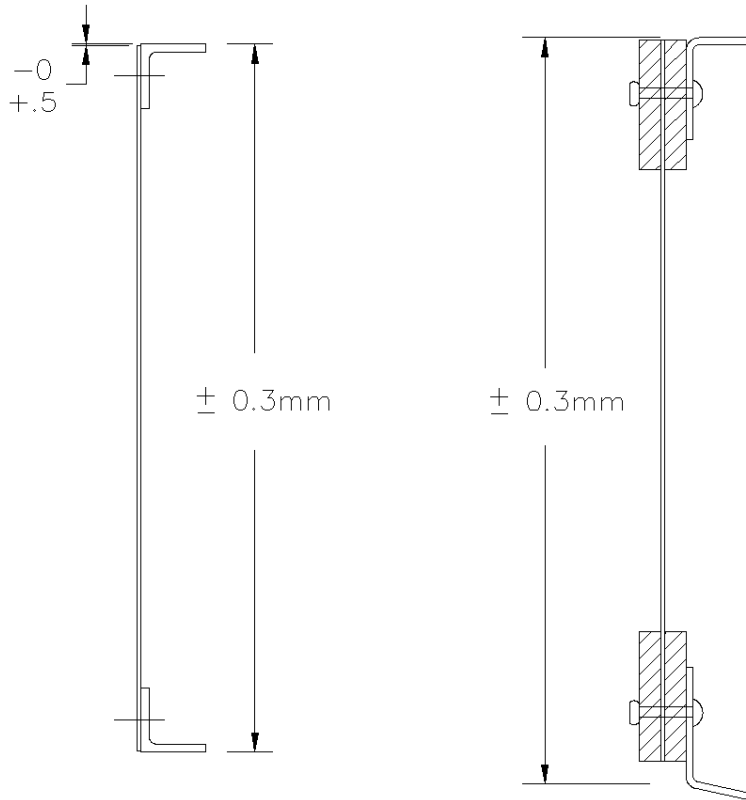
- LOCATION OF IMPERFECTIONS (DIE JOINTS, "DEEP" CRIMPS, ETC...) ABOVE GENERAL STRAIGHTNESS TOLERANCES APPLY, AS WELL AS FOLLOWING:



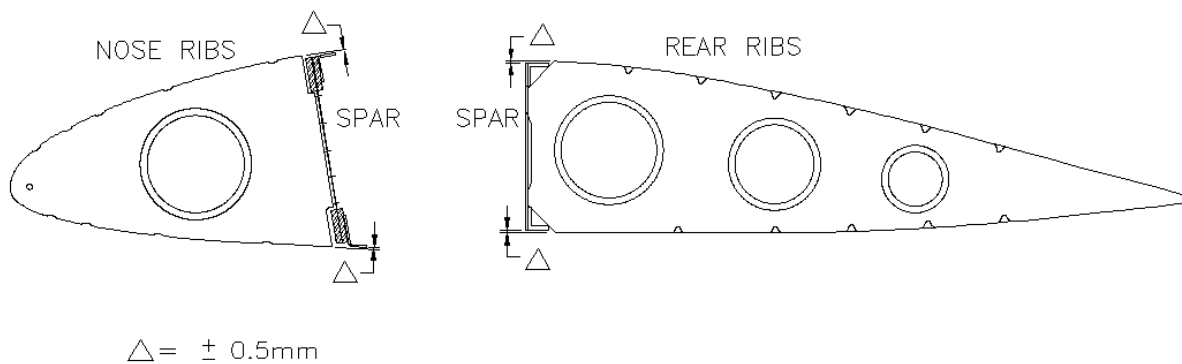
Close tolerance

Where required, dimensions marked in a box **XX.X** have a maximum acceptable tolerance of +/- 0.3mm

The built up wing spar has the following maximum acceptable tolerance:



Rib height at the spar (to avoid waviness on wing and tail surfaces)



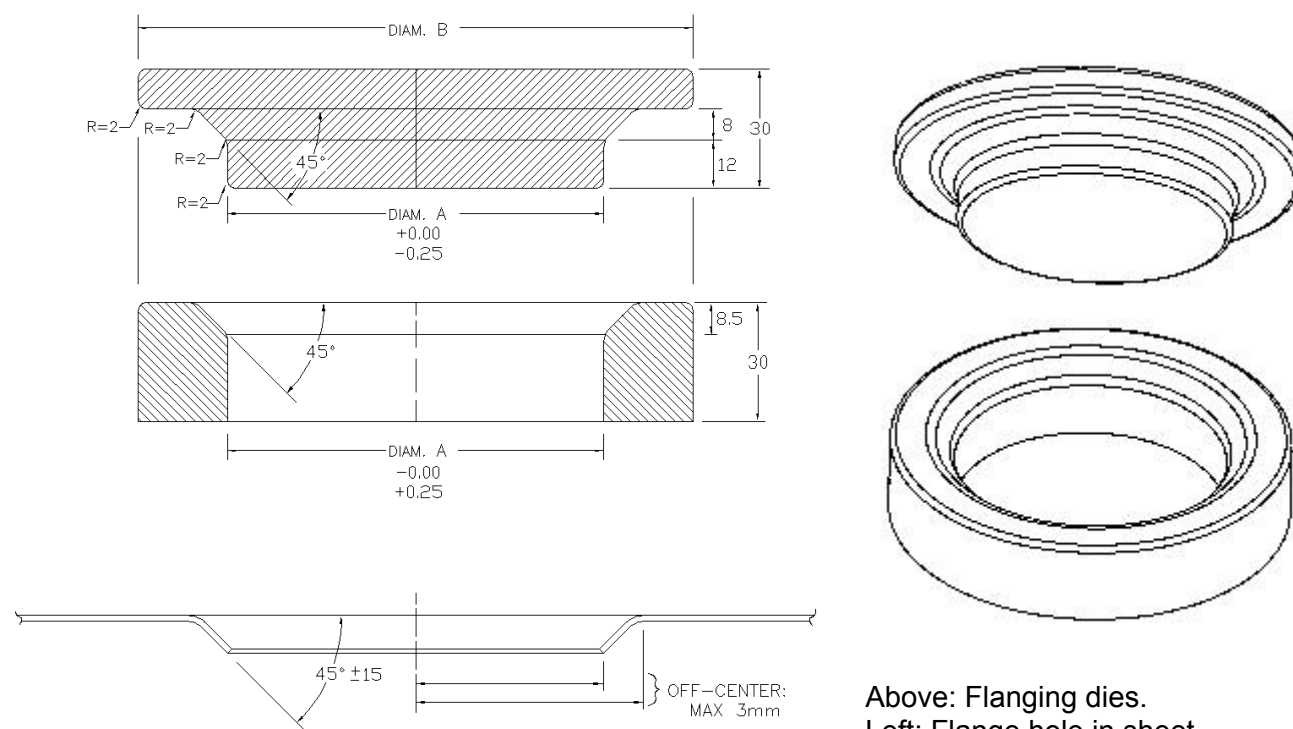
FLAGNED LIGHTENING HOLES

CS #305

The holes F.51, F.65, etc. are cut out to the “flycut” diameter, then flanged with the following tools:

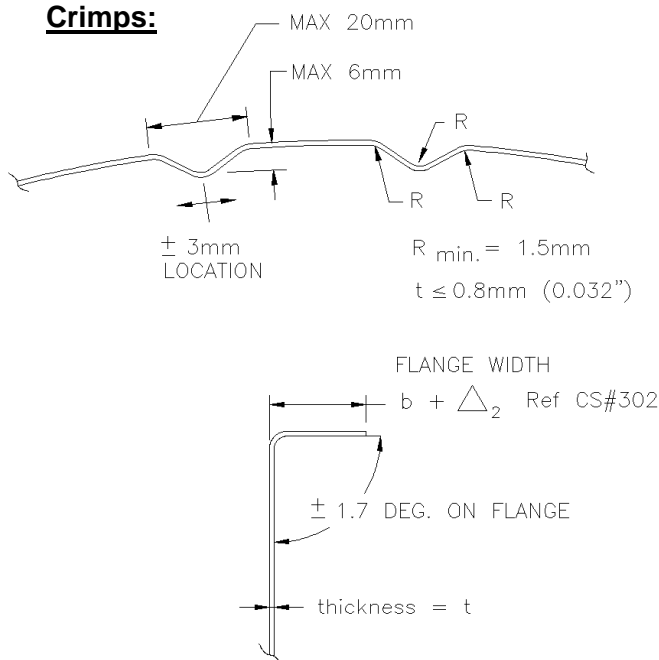
| FLAGNED HOLE | F.51 | F.65 | F.95 | F.115 |
|-------------------|--------|--------|--------|---------|
| FLYCUT DIAMETER = | 51.5mm | 65.5mm | 95.5mm | 115.5mm |
| DIE DIAM. A = | 51mm | 65mm | 95mm | 115mm |
| DIE DIAM. B = | 82mm | 110mm | 140mm | 170mm |

Carbon steel flanging die (male & female): finish with Emory cloth, R=2mm



Place the cut out sheet on the female die, insert the male die (self-centering) and use any press to create the flange (even a 3/4" bolt and two plates, or a heavy vise will do a good job on the relatively thin sheet metal used).

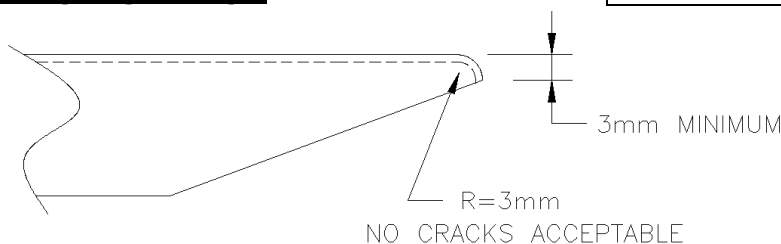
Crimps:



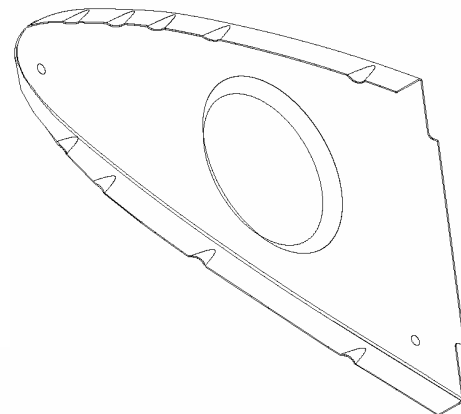
10°
R2.5 to 3mm
ALUMINUM FACE
PLYWOOD
3/4" 1/8"
WITH A RUBBER Mallet HAMMER FLANGE OVER
RIB BLANK
BACKING BLOCK
FORM BLOCK CROSS SECTION

The drawings specify the forming blocks. Clamp the rib blank between the two corresponding blocks with 1/4" bolts. The flange should protrude evenly. If there is more than 2 mm variation, start over again and be more careful. With the mallet, hammer the flange over.

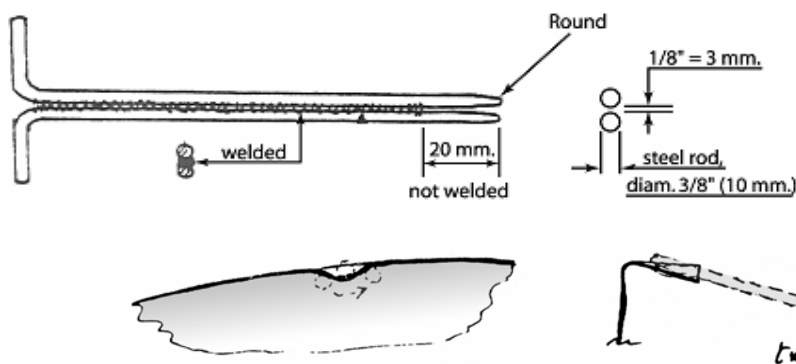
Leading Edge Flange:



At the leading edge of the rib, a small flange to position the profile LE radius and provide a stop to diagonal buckling.



Crimping tool for "corrugating" the flanges:



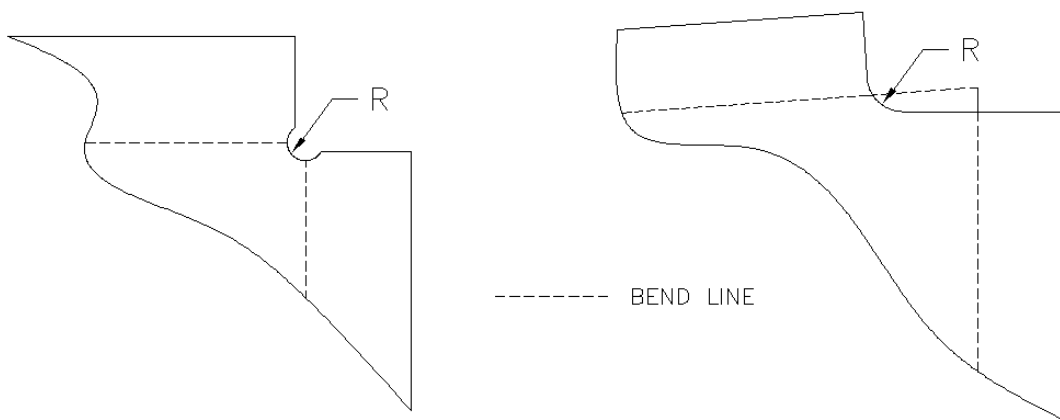
Finishing the Ribs:

With a Bucking bar (rounded and filed edges) and plastic face hammer straighten out the flange nicely in-between the crimps. Add or remove to a crimp depth to flatten the rib web. Then add the lightening holes.

CORNER RELIEF CUTOUT

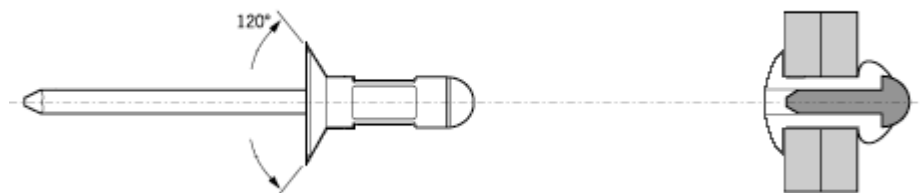
CS#307

Cut outs to be bent require a corner relief hole or radius.



$$R_{\min} = 3\text{mm (diam } 1/4\text{'')} \quad \text{FOR } t \leq .040\text{''} = 1\text{mm}$$

$$R_{\max} = 6\text{mm (diam } 1/2\text{'')} \quad \text{FOR } t > .040\text{'}$$

BLIND RIVETS**CS #400**

| CODE | MAKE | BRAND | REFERENCE | DIAMETER | DRILL BIT | CODE |
|------|-------|-------|------------|---------------|-----------|------|
| A4 | AVDEL | AVEX | #1604-0412 | 3.2mm (1/8") | #30 | A4 |
| AF4 | | same | same | | | AF4 |
| A5 | | same | #1604-0514 | 4mm (5/32") | #20 | A5 |
| AF5 | | same | same | | | AF5 |
| A6 | | same | same | 4.8mm (3/16") | 3/16" | AF4 |

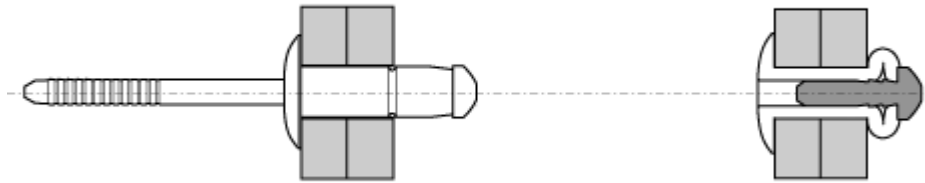
AF4 and AF5 are set with a flat nose piece on rivet puller (flush head, countersunk or dimple material at 100degrees, same as AN426 rivets).

A4 and A5 have a low-protruding round (domed) head formed with the special nose on the riveter tool, see CS #104.

Note: The original head of the rivet is used on the outside of the aircraft, and/or the thinnest material side for material thickness $t \leq 1.0\text{mm}$ unless otherwise specified. For $t > 1.0\text{mm}$, it is left to the choice of builder.

BLIND RIVETS – STAINLESS STEEL

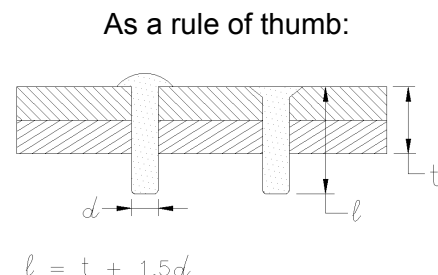
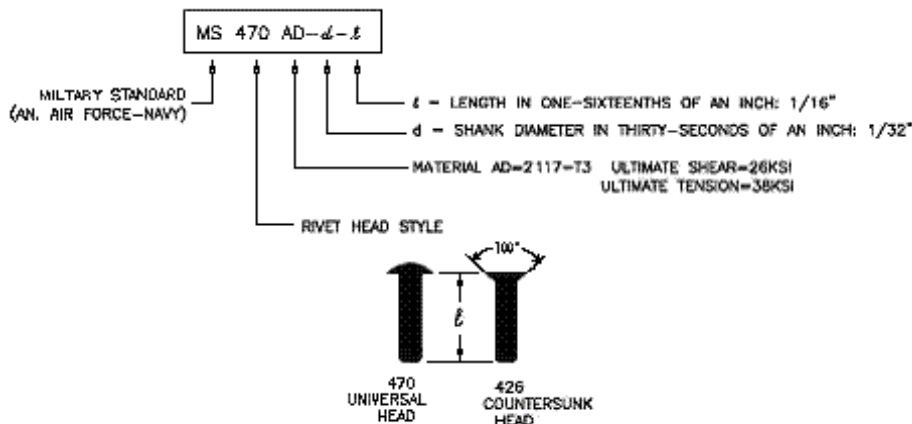
CS #401



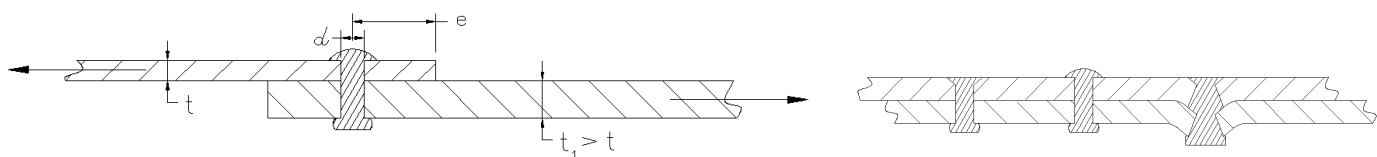
| CODE | MAKE | BRAND | REFERENCE | DIAMETER | DRILL BIT |
|------|--------|-------|--------------|-------------|-----------|
| AS5 | Avinox | AVEX | #OBE61-00512 | 4mm (5/32") | #20 |

SOLID SHANK 2117 (AD) RIVETS: Are set in the T3 (or T4) condition, with a rivet press, hand pneumatic riveter, etc. at the choice of the manufacturer.

- The drill diameter and hole tolerance is given on CS #102
- The length of the rivet is chosen to meet the acceptable set rivet dimension on CS #403



- All AD (and only AD) rivets have a small dimple in the center of the original head (its purpose is for identification, but is very handy to center the drill when drilling out is required!)



| | | | | |
|--------------------------------|--------------|-------------|--------------|--------------|
| RIVET DIAMETER mm inches | 2.4 3/32" | 3.2 1/8" | 4.0 5/32" | 4.8 3/16" |
| NOMINAL SHEAR Kg | 98 | 176 | 270 | 390 |
| MINIMUM THICKNESS t(mm) | .8 | 1.0 | 1.2 | - |

Increasing joint shear strength at constant diameter d constant thickness t (increase is small)

Nominal single sheet strength

The minimum thickness t , is given for an ultimate bearing strength of 47 kg/mm² (67Ksi) for 6061-T6 with $e/d=1.5$.

It is the minimum thickness at which the nominal ultimate shear strength of the 2117-T3 rivets equals the tear-out strength of the sheet metal with an edge distance of 1.5 ($=e/d$)

(rivets 2117-T3: $F_{tu} = 26.7 \text{ Kg/mm}^2$ (38 Ksi), $F_{su} = 19.6 \text{ Kg/mm}^2$ (28 Ksi))

For $t < t_{\text{mini}}$, the ultimate load is smaller (tear-out)

For $t > t_{\text{mini}}$, no improvement (rivet shears off)

For larger edge distance, and/or stronger material, t_{mini} increases

For countersunk rivets in dimpled sheet metal, the joint strength is slightly increased (larger bearing area).

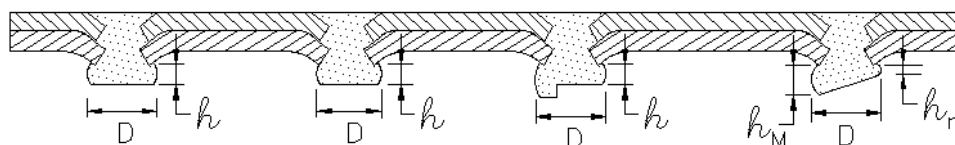
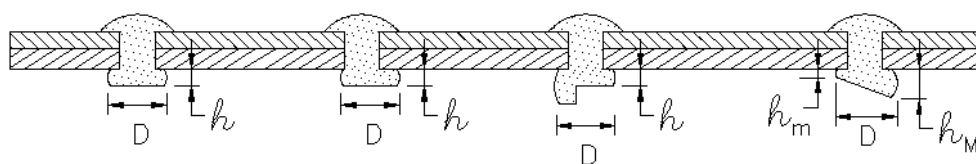
For more design detail: refer to MIL HDBK-5

SOLID RIVET - SETTING DIMENSIONS

CS #403

TOLERANCES

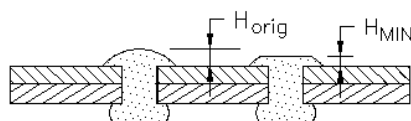
| RIVET SIZE | NOMINAL | | MAX ACCEPT. | | MIN ACCEPT. | |
|------------|----------|----------|-------------|----------|-------------|----------|
| | $D=1.5d$ | $h=0.5d$ | $D=1.7d$ | $h=0.8d$ | $D=1.25d$ | $h=0.3d$ |
| AD-3 | 3.6mm | 1.2mm | 4.1mm | 2.0mm | 3.0mm | 0.7mm |
| AD-4 | 4.8mm | 1.6mm | 5.4mm | 2.6mm | 4.0mm | 0.95mm |
| AD-5 | 6.0mm | 2.0mm | 6.7mm | 3.2mm | 5.0mm | 1.2mm |
| AD-6 | 7.1mm | 2.4mm | 8.1mm | 3.8mm | 6.0mm | 1.4mm |



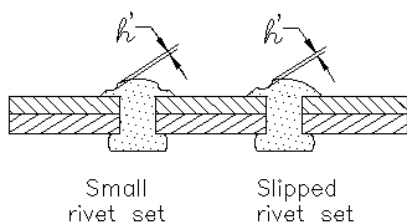
$$h = \frac{h_M + h_m}{2}$$

DAMAGED ORIGINAL RIVET HEAD

- FLATTENED OR GROUND HEAD $H_{MIN} = 0.3d$

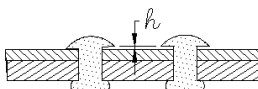


- MARKED HEADS are acceptable when only slightly marked $h' \leq 0.3 H_{orig}$

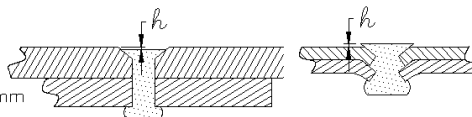


| RIVETS 470 | AD-3 | AD-4 | AD-5 | AD-6 |
|------------|-------|-------|-------|-------|
| H_{orig} | 1.0mm | 1.4mm | 1.7mm | 2.0mm |
| h'_{MIN} | 0.3mm | 1.6mm | 0.6mm | 0.7mm |

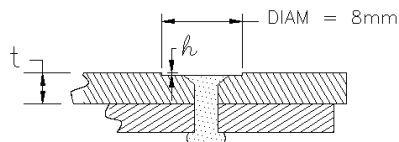
- GAP UNDER THE HEAD
acceptable when $h \leq 0.3\text{mm}$



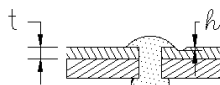
- UNFLUSHNESS OF THE RIVET
acceptable when $h_{\text{MAX}} \leq \pm 0.3\text{mm}$



- UNDERGROUND FLUSH RIVETS
acceptable when $h \leq 0.1\text{mm} \times t$
(common grinder diameter = 8mm)

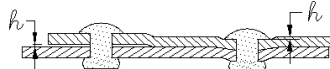


- MARKS ON STRUCTURE (setting die)



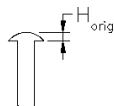
| | | | | | |
|---|--------|--------|--------|--------|------------|
| t | 1.2mm | 1.0mm | 0.8mm | 0.6mm | 0.5, 0.4mm |
| h | 0.25mm | 0.20mm | 0.15mm | 0.12mm | 0.10mm |

- DISTORTED BY PRESSURE
acceptable when $h \leq 0.2\text{mm}$



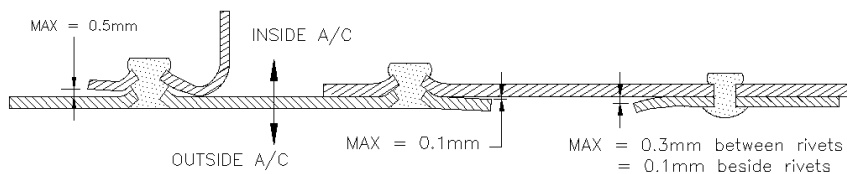
- DISTORTED
acceptable when $h \leq 0.3 H_{\text{orig}}$

same for 426 rivets



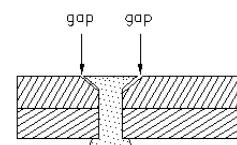
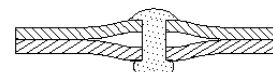
| RIVET SIZE | AD-3 | AD-4 | AD-5 | AD-6 |
|-------------------|-------|-------|-------|-------|
| H_{orig} | 1.0mm | 1.4mm | 1.7mm | 2.0mm |
| h_{MAX} | 0.3mm | 0.4mm | 0.5mm | 0.6mm |

- SHEET METAL EDGE LIFTS UP:



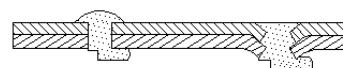
UNACCEPTABLE IMPERFECTIONS

- Disjointed sheet metal is not acceptable when the bulging due to internal rivet growing, burs, chips, etc. is visibly obvious:
- Eccentric or oversized machines countersinking is not acceptable when the gap is visible: use next larger size rivet.
- All the rivets which do not meet the tolerance specified in CS 403 and 404.
- CRACKED HEADS (original or formed) are not acceptable. When the heads crack systematically, supply new rivets.
- The following examples are unacceptable formed heads:



For corrective action: see CS#305

- shimming: see CS#311 page 3/4



BOLTS**CS #405**

The drawings specify the usual North American airframe bolts type AN or MS 3 through 20, which have a minimum tensile strength of 88 kg/mm² (125ksi) and a shear strength of 53kg/mm² (75 psi).

They may be replaced by any equivalent standard bolt (see CS#406)

To be consistent with the AN denomination the following applies:

| BOLT Diameter | Thread per inch + quality | Tolerance on Diam | CASTLE NUT—shear AN320 | LOCKNUT Nylon AN365 | WASHER standard AN960 | thickness t |
|---------------|---------------------------|---------------------------|------------------------|---------------------|-----------------------|--------------------------|
| 3/16" 4.8mm | 10-32 UNF-3A | ↑ +.000 ↓ -.012" | -3 | -1032 | -10 | ↑ 1.6mm ↓ 1/16" |
| 1/4" 6.35mm | 1/4-28 UNF-3A | | -4 | -428 | -416 | |
| 5/16" 7.9mm | 5/16-24 UNF-3A | | -5 | -524 | -516 | |
| 3/8" 9.6mm | 3/8-24 UNF-3A | | -6 | -624 | -616 | |
| 7/16" 11.1mm | 7/16-20 UNF-3A | | -7 | -720 | -716 | |
| 1/2" 12.7mm | 1/2-20 UNF-3A | | -8 | -820 | -816 | |

- AN310 (Tension type castle nut)
- AN315 (JAM NUT)

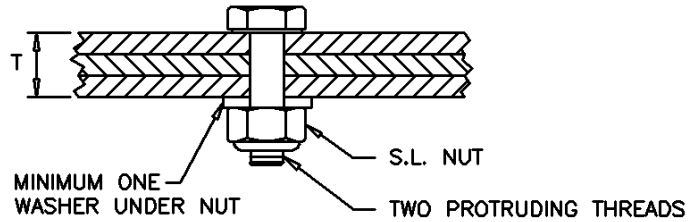
Following table is based on Ft_u = 88kg/mm² (125 ksi)

F_{su} = 53 kg/mm² (75ksi) F_{su} = Ft_u/1.66

| BOLT Diameter | BOLT AN NUMBER | Ult. tensile (kg) | Ult. single shear (kg) |
|---------------|----------------|-------------------|------------------------|
| 3/16" 4.8mm | 3 | 1023 | 939 |
| 1/4" 6.35mm | 4 | 1892 | 1669 |
| 5/16" 7.9mm | 5 | 3044 | 2608 |
| 3/8" 9.6mm | 6 | 4672 | 3756 |
| 7/16" 11.1mm | 7 | 6282 | 5103 |
| 1/2" 12.7mm | 8 | 8573 | 6668 |

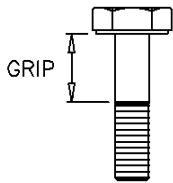
Note: The actual strength of the bolt joint is a function of the material characteristics (bearing, shear strength) and geometry (edge distance, e/d, thickness, t, etc) similar to the riveted joints.

- **Minimum: no washer under the head, one washer under the nut.**
- **Maximum: one washer under the head, three washers under the nut**
- **Minimum: Two threads protruding over the locknut.**

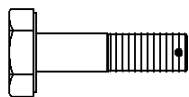


No threads in the parts to be joined.

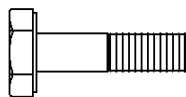
The bolt grip is the clean (unthreaded) length of the shank; it should not be shorter than the total thickness (T) of the parts to be assembled. AN BOLT LENGTH come by increments of 1/8" = .125" Washers AN960-X16 washers are 1/16" = .063" thick (2 washers = 1/8")



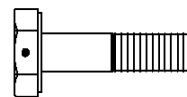
| DASH NO. | AN3 | AN4 | AN5 | AN6 |
|----------|-------|--------|--------|--------|
| 3 | .0625 | N/A | N/A | N/A |
| 4 | .125 | .0625 | .0625 | N/A |
| 5 | .25 | .1875 | .1875 | .0625 |
| 6 | .375 | .3125 | .3125 | .1875 |
| 7 | .5 | .4375 | .4375 | .3125 |
| 10 | .625 | .5625 | .5625 | .4375 |
| 11 | .75 | .6875 | .6875 | .5625 |
| 12 | .875 | .8125 | .8125 | .5625 |
| 13 | 1 | .9375 | .9375 | .8125 |
| 14 | 1.125 | 1.0625 | 1.0625 | .9375 |
| 15 | 1.25 | 1.1875 | 1.1875 | 1.0625 |
| 16 | 1.375 | 1.3125 | 1.3125 | 1.1875 |



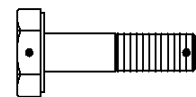
HOLES: DRILL SHANK
EXAMPLE: AN4-5



NO HOLES
AN4-5A



DRILLED HEAD
AN4H-5A



DRILLED HEAD & SHANK
AN4H-5



CASTLE NUT
AN310



SELF LOCKING NUT
AN365



FLAT WASHER
AN960



COTTER PIN
AN380

FINE THREAD SERIES

| BOLT SIZE | STANDARD TYPE NUT MS20365, AN365 | ALTERNATE VALUE AN310 | SHEAR TYPE NUTE MS20364, AN316 | ALTERNATE VALUE AN320 |
|-----------|--|--------------------------|--------------------------------------|--------------------------|
| | inch pounds | inch pounds | inch pounds | inch pounds |
| AN3 | 20–25 | 20–28 | 12–15 | 12–19 |
| AN4 | 50–70 | 50–75 | 30–40 | 30–48 |
| AN5 | 100–140 | 100–150 | 60–85 | 60–106 |
| AN6 | 160–190 | 160–260 | 95–110 | 95–170 |

Drag torque: Run the nut down to near contact with the washer and check the friction drag torque required to turn the nut. Add the drag torque to the desired torque. This is referred to as the final torque which should register on the indicator or setting on the torque wrench.

These torque values are derived for oil-free cadmium-plated threads, and are recommended for all installation procedures. They are not to be used for checking tightness of installed parts during service.

When using AN310 and AN320 castellated nuts where alignment between bolt and cotter pin holes is not reached using normal torque values, use alternative torque values or replace nut.

Ref. Table for AN 365 nuts on AN-3 to -8 bolts, dry (not oiled) threads – refer to Chapter 7 section 3 of AC43.13-1B

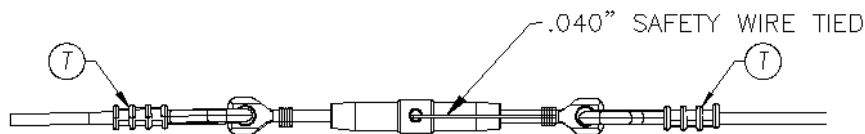
NUTPLATES - RIVENUTS

CS #408

Nutplates: AN366, MS 21069

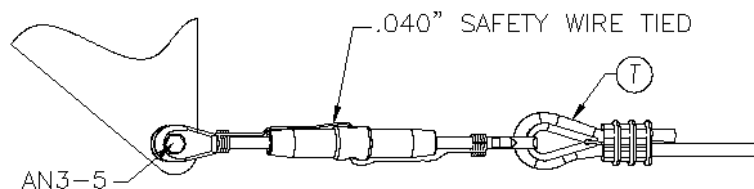
TURNBUCKLES – SHACKLES – NICO PRESS

CS #500



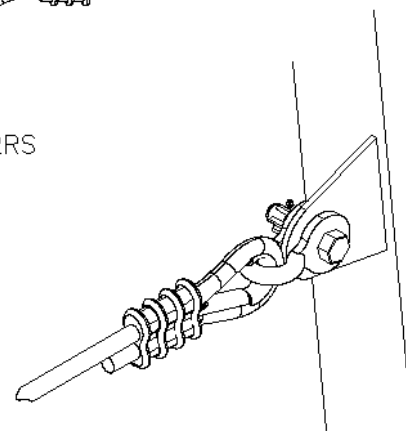
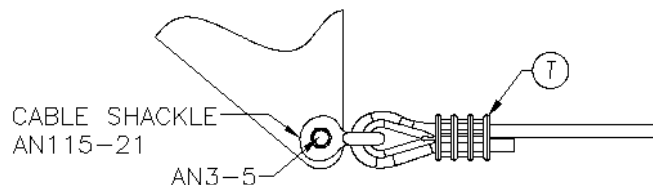
DETAIL E

ASSEMBLY AN140
 BARREL TURNBUCKLE AN155-22S
 CABLE EYE END AN170-22RS
 CABLE EYE LEFT AN170-22LS



DETAIL F

ASSEMBLY AN130
 BARREL TURNBUCKLE AN155-22S, AN161-22RS
 FORK LEFT AN170-22LS, CABLE EYE RIGHT AN161-22RS
 AN3-5 BOLT WASHER AN960-10 CASTLE NUT
 AN310-3 COTTER PIN AN380-2-2

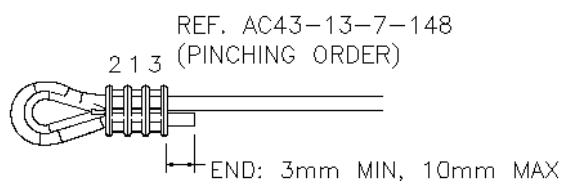


DETAIL S

CABLE SHACKLE TO
 RUDDER PEDALS

DETAIL S

CABLE SHACKLE AN115-21 WITH AN3-5 BOLT WASHER AN960-10,
 CASTLE NUT AN310-3 COTTER PIN AN380-2-2



USE NICO PRESS
 SWAGING TOOL

DETAIL T

1/8" CABLE THIMBLE, NICO PRESS SLEEVE

NICO PRESS: 18-3M (COPPER)
 24-3M (ZINC PLATED COPPER)
 S-11-004



CONTROL CABLE
 1/8"X7X19 GALVANIZED, 2000 LBS
 or STAINLESS TO MIL C5424 1760 LBS

1/8" CABLE THIMBLE (AN100-4)
 F-15-204

CABLE SHACKLES
 AN115-21

Cables

CS #501

Cables should be tensioned using a properly calibrated tension gauge. Read and follow the instructions provided by the tension gauge manufacturer to ensure the proper tension value has been achieved. See the aircraft drawings for specific cable tensions.

Control cables are prone to stretch over time therefore the cable tension should be checked on a regular basis. Check the cable tension after the first flight, at 25 hours, 50 hours, and during each annual inspection thereafter to prevent the control cables from becoming loose.

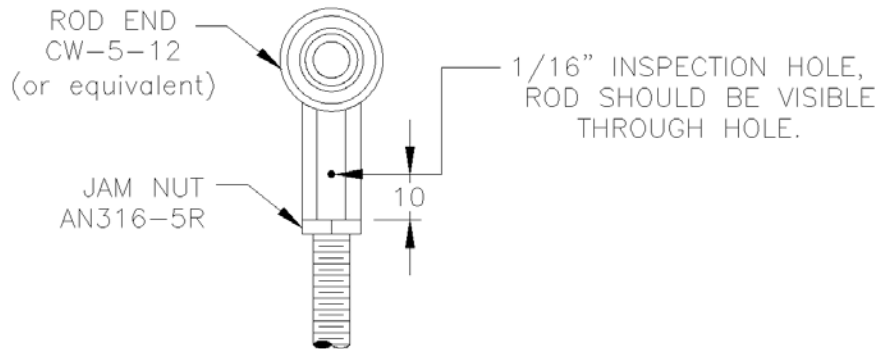
Push Rods

Intentionally Left Blank

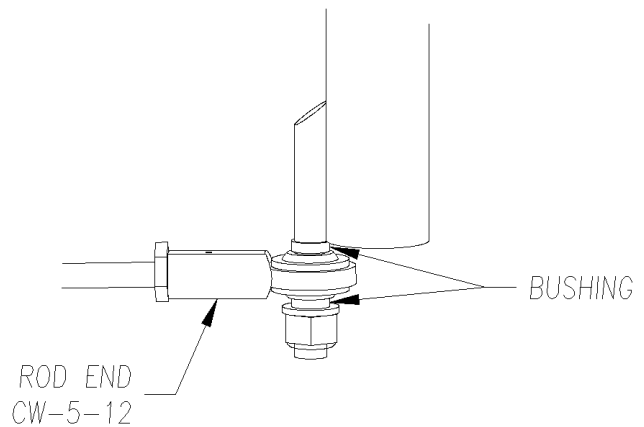
Rod Ends

CS #502

Rod Ends CW-5-12 or equivalent should be used on the end of control rods. A witness hole should be drilled through the rod end at least 10mm from the bottom of the rod end and threads should be visible through the witness hole. A Jam Nut, AN316-5R, should be installed and tightened against the rod end to prevent the rod end from unintentionally turning on the threaded rod.



If necessary, bushings should be installed to prevent the rod end from binding against the attached part.

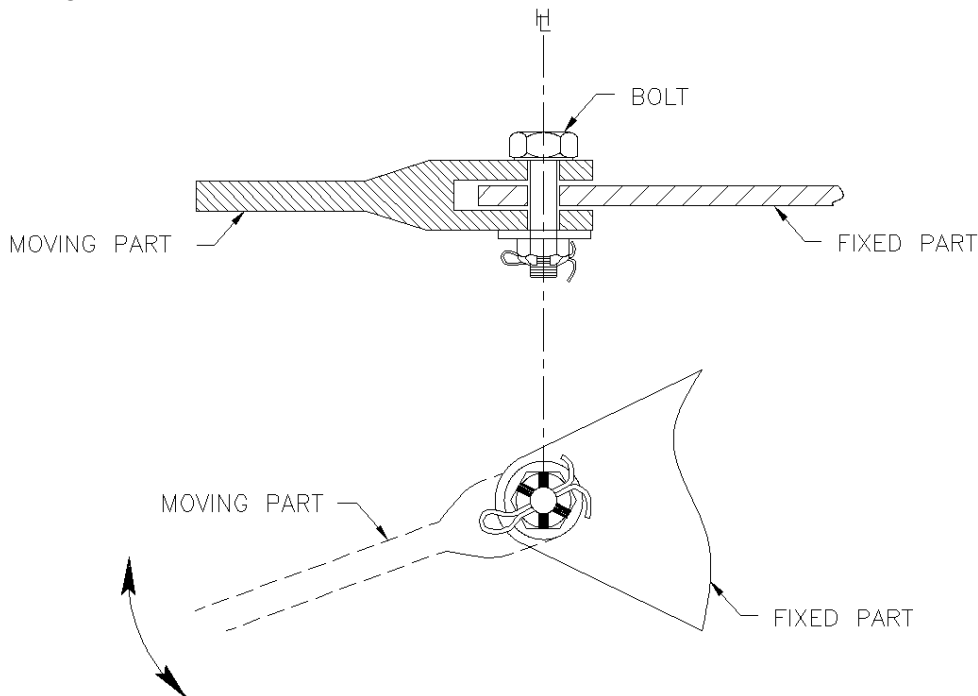


Piano Hinge

Intentionally Left Blank

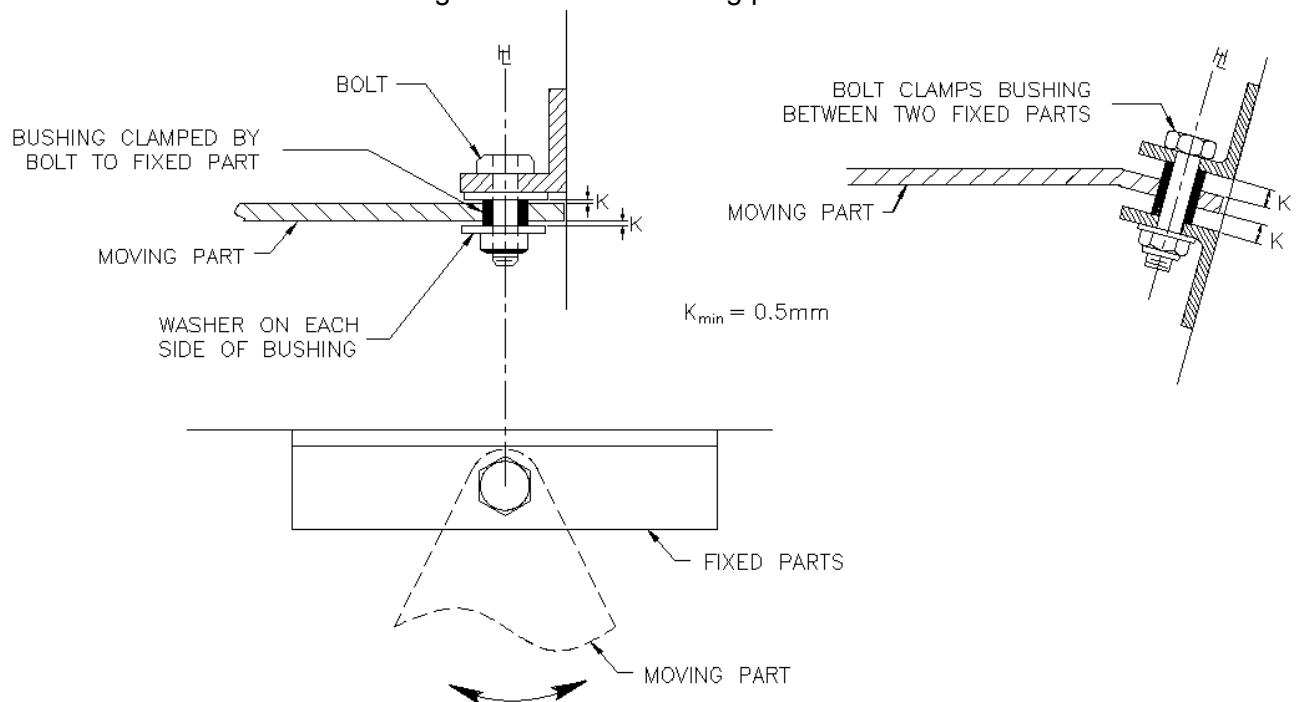
DEFINITION OF A BOLT SUBJECT TO ROTATION:

- 1) A bolt subject to rotation is defined as a bolt whose shank can rotate on its bearing surface during operation of the airplane:



- 2) A bolt which clamps a bushing to a fixed parts is not a “bolt subject to rotation”

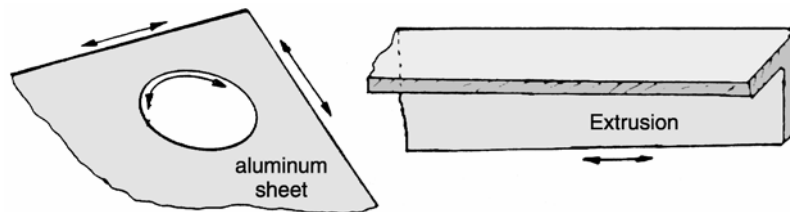
NOTE: That in this case the outside of the bushing, not the bolt, is the fixed bearing surface of the rotating part



Scratches:

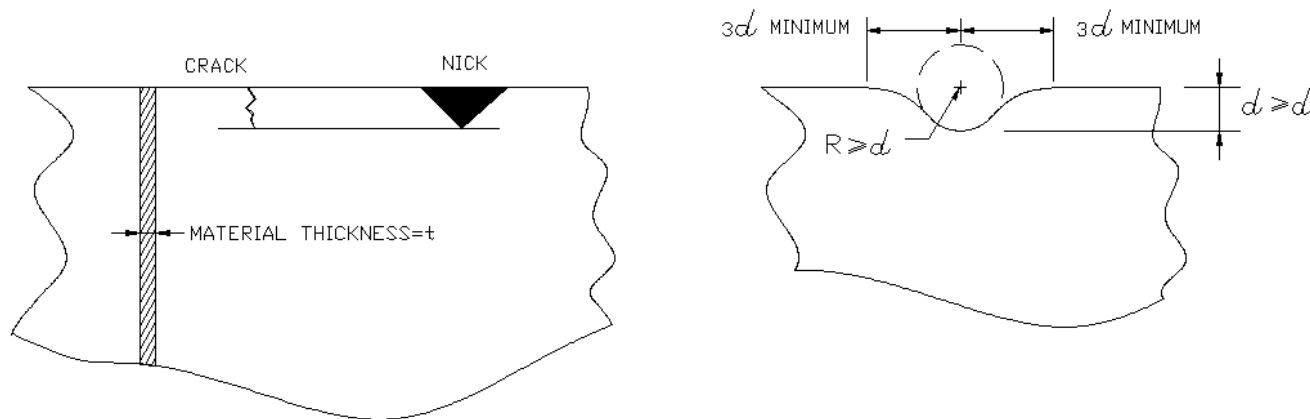
- a) Spars and longerons: All transverse scratches and nicks must be removed by filing and sanding lengthwise.
- b) All other parts: Unless deep, scratches will not reduce the fatigue-life of the structure

Especially IMPORTANT: Any scratch and/or nick must be removed from the spars and fuselage longerons by filing and sanding LENGTHWISE.



CRACKED PARTS: Replace every part which reveals cracks after manufacturing. Cracks may occur when bending with too small of a radius ($R < 3 \times t$), forgetting to sand the edges smooth, mishandling (tool or other marks...).

Cracks On all parts an acceptable way to remove a nick or a crack, is lengthwise filing and check to following tolerance:



NOTE: WHEN d' OR d IS LARGER THAN $3t$, THE ABOVE CORRECTIVE ACTION IS INACCEPTABLE, AND THE PART MUST BE REPLACED.

Replacing rivets: Rivet replacing applies to solid and/or blind rivets

When the rivets are outside the specified tolerance and cannot be reset in a satisfactory way, they are drilled out, the hole tolerance may need checking, and new rivets are set.

DRILLING OUT RIVETS:

- Use the same size drill bit as the original hole (#30 for A4)
- Carefully drill off the rivet head (remove rivet head from drill bit).
- Turn the drill by hand (or apply short power bursts on the trigger) to push the remainder of the rivet out.
- For blind rivets, check that the drill bit does not make contact with the steel mandrel in the rivet, this could cause the drill bit to slide and elongate the hole.
- When the hole tolerance is unacceptable, the next larger size rivet is used.

Edge distance: With oversize rivets, the distance 'e' is the original value as specified on the drawings.

NOTE: Check the edge distance on the larger rivet is greater than 1.5 x rivet diameter.

Rivets replaced by bolts

When rivet(s) have to be replaced (or added) and it is questionable if the rivet(s) can be set correctly and/or easily, the rivet(s) may be replaced by bolt(s).

Use AN3 bolts

"Cherry" rivets may be used to replace the rivets specified on the drawings.

Adding rivets

When changing the rivet or going to the next size up is not practical or possible, the unacceptable rivet is left as is and one additional rivet is set in the same rivet line or pattern, at a distance of minimum 3d, measured from the center of the bad rivet to the center of the new hole, and a maximum $\frac{1}{2}$ x pitch from the defective rivet.

- make sure the additional rivet has also acceptable edge distance.

If required (insufficient edge distance, thin sheet metal buckling, etc...) additional rivets may be drilled and set between the standard rivets as per drawings. Use the same diameter and type of rivets.

Note: Minimum edge distance = 1.5 x rivet diameter.

Minimum spacing between rivets = 3 x rivet diameter.

SKINS AND JOINTS

CS #604

It may be necessary on the skins (wings, control surfaces, and fuselage) to add joints for manufacturing and/or repair purposes.

The use of several smaller skins instead of one “large” skin as shown on the drawings is acceptable when:

- The skins are of the same thicknesses or thicker,
- They overlap a stiffener, rib, bulkhead, etc... with the correct edge distance for the fasteners,
- The largest rivet size and the smallest rivet pitch of the adjacent panel edges are used on the new joints (unless otherwise authorized by the designer).

When in doubt, use common sense: use the thickest skin, the largest rivet diameter and the smallest pitch!

INSPECTION PANELS (ACCESS HOLES)

Box cutout with L angles.

Rivet or use nutplates to secure cover.

The maximum allowable shim thickness is equal to the fastener diameter.

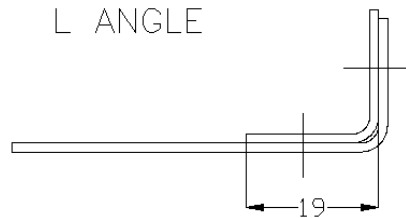
Example: Fastener is AN4 bolt: Max shim thickness = $\frac{1}{4}$ "

When and where required, shims may be used to obtain a good fit and/or finish between parts which do not match perfectly.

DOUBLERS

ANGLE DOUBLER: When the original flange is too short, there are missed drilled holes in the flange (part was installed upside down); an angle doubler may be used when:

- the thickness of the doubler is equal to the thickness of the doubled part
- the rivet pitch specified in the drawings is maintained



This present edition of the Construction Standards (CS) is a second draft. We hope that it is a useful resource in building, maintaining and/or repairing your Zenair light aircraft. We would like to hear your comments about this draft, and suggestions on how we can improve this manual in future editions. Please use the space below for your comments and suggestions:

Thank you for your feedback.

Please return the completed form to:
Construction Standards, Zenith Aircraft Company, PO Box 650, Mexico, MO 65265-0650 USA
Email: info@zenithair.com