

DRAWING	DATE	DESCRIPTION	DRAWING	DATE	DESCRIPTION
6-X-0	Oct 05, 2010	DWG. LIST	6-XB-13	09/2010	FIREWALL
6-XT-1	09/2010	STABILIZER	6-XB-14	09/2010	CABIN FLOOR & SIDES
6-XT-2	09/2010	ELEVATOR	6-XB-15	09/2010	BULKHEADS
6-XT-3	09/2010	VERTICAL TAIL	6-XB-16	09/2010	BAGGAGE FLOOR
6-XW-4	09/2010	FLAP & AILERON	6-XB-17	09/2010	CONTROL COLUMN & COVERS
6-XW-5	09/2010	WING SKELETON	6-XB-18	09/2010	FLAP CONTROL
6-XW-6	09/2010	WING SKINS	6-XB-19	09/2010	CABLES & FAIRLEADS
6-XK-7	09/2010	FUEL TANK	6-XC-20	09/2010	2-PIECE CANOPY
6-XK-8	09/2010	FUEL LINE SYSTEM	6-XC-21	09/2010	AIR SCOOP & TOP SKINS
6-XO-9	09/2010	CABLE ROUTING	6-XG-22	09/2010	MAIN LANDING & NOSE GEAR
6-XO-10	09/2010	WING OPTIONS	6-XN-23	09/2010	DUAL STICK OPTION
6-XB-11	09/2010	REAR FUSELAGE	6-XN-24	09/2010	GROVE GEAR & DUAL BRAKE OPT.
6-XB-12	09/2010	REAR FUSELAGE			

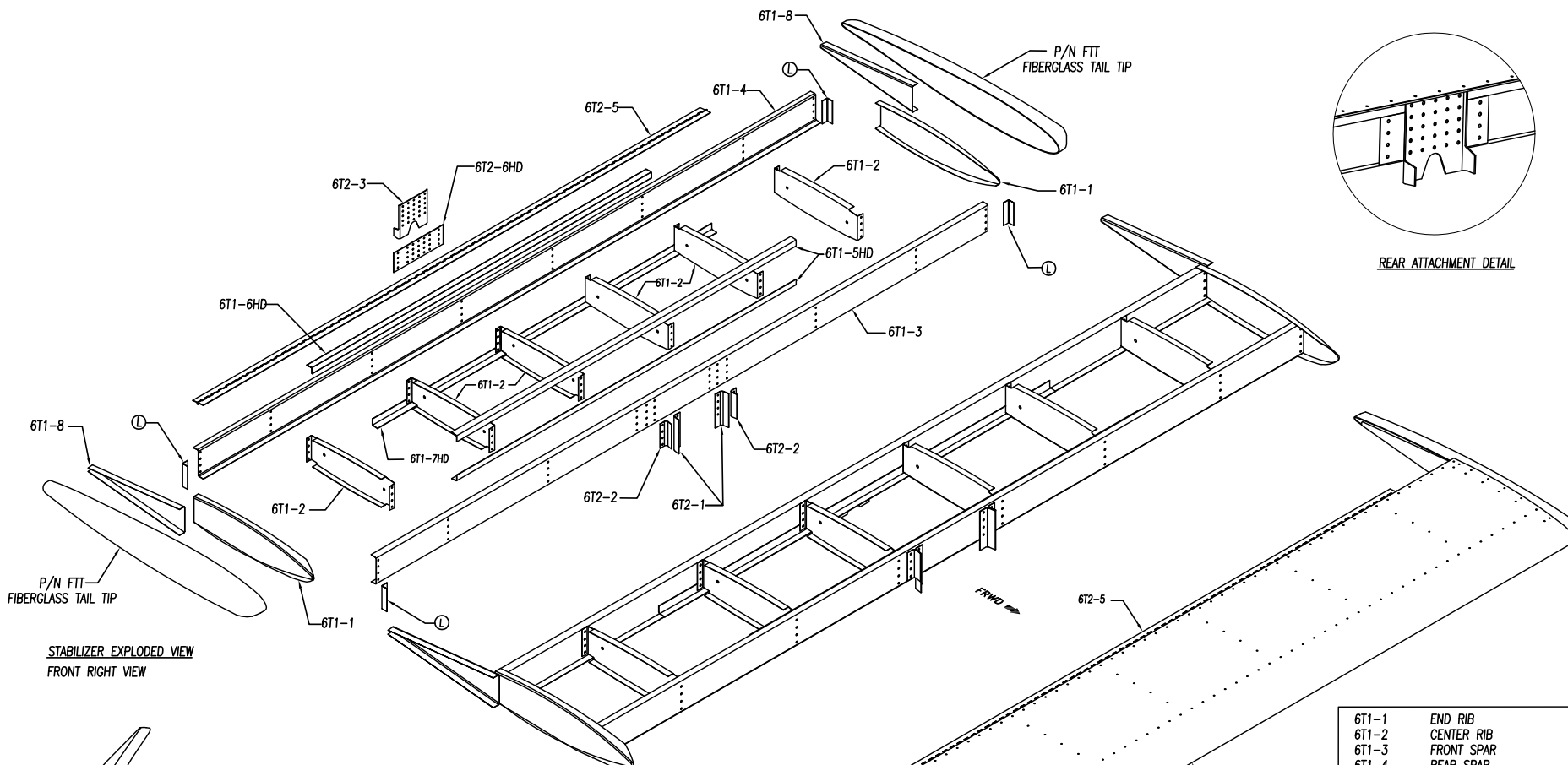
ZODIAC  
CH 650 B

PART CATALOG  
DRAWING LIST

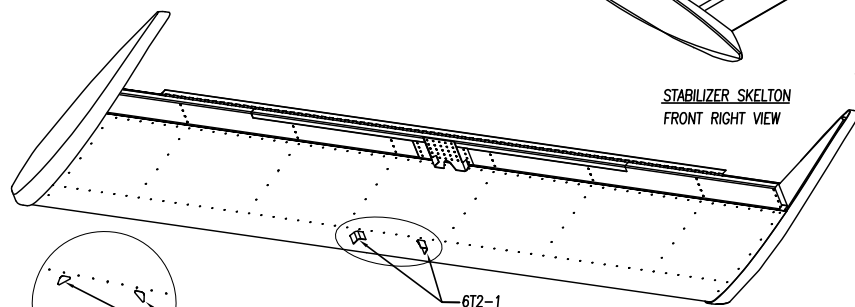
6-X-0

Copyright© 2010 CHRIS HEINTZ

DATE: Oct 05, 2010



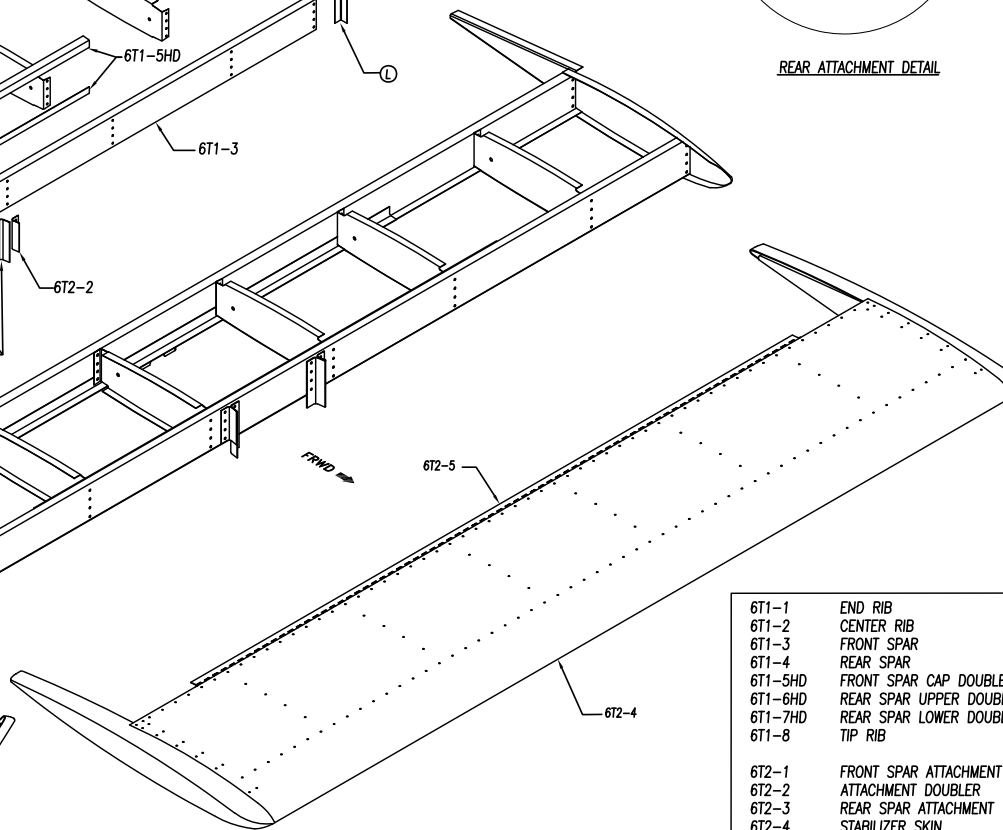
STABILIZER EXPLODED VIEW  
FRONT RIGHT VIEW



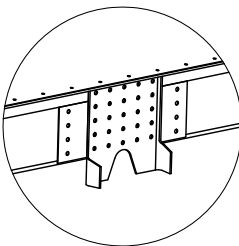
STABILIZER SKELTON  
FRONT RIGHT VIEW

CUTOUT IN LOWER SIDE  
OF SKIN FOR 6T2-1

STABILIZER ASSEMBLY  
VIEWED FROM UNDER



STABILIZER ASSEMBLY  
FRONT RIGHT VIEW



REAR ATTACHMENT DETAIL

6T1-1	END RIB
6T1-2	CENTER RIB
6T1-3	FRONT SPAR
6T1-4	REAR SPAR
6T1-5HD	FRONT SPAR CAP DOUBLER
6T1-6HD	REAR SPAR UPPER DOUBLER
6T1-7HD	REAR SPAR LOWER DOUBLER
6T1-8	TIP RIB
6T2-1	FRONT SPAR ATTACHMENT
6T2-2	ATTACHMENT DOUBLER
6T2-3	REAR SPAR ATTACHMENT
6T2-4	STABILIZER SKIN
6T2-5	PIANO HINGE
6T2-6HD	SHIM
FTT (6N21-2)	FIBERGLASS TIP

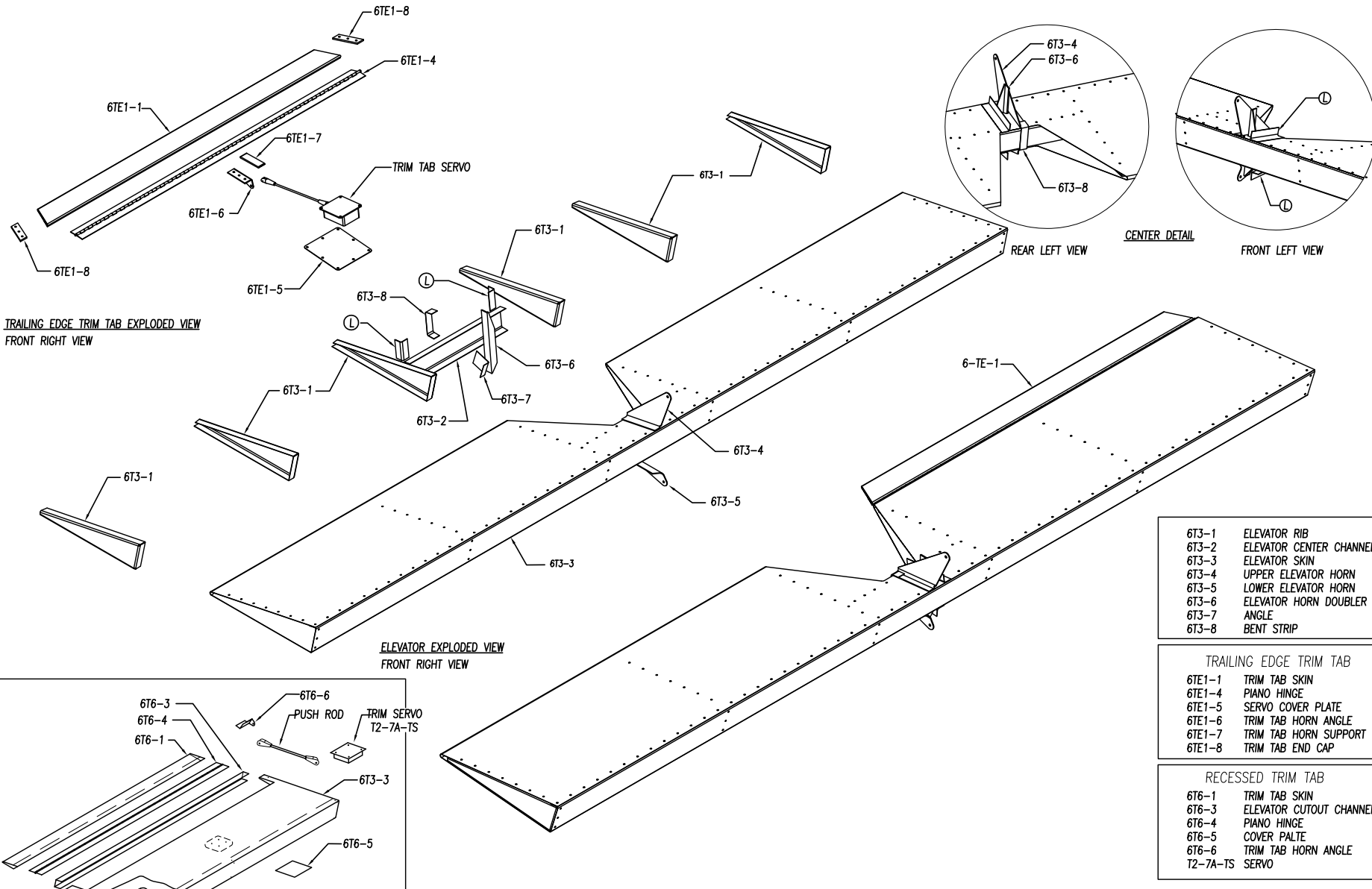
ZODIAC  
CH 650 B

STABILIZER  
PARTS: 6-T-1 & 6-T-2

6-XT-1

Copyright © 2010 CHRIS HEINTZ

DATE: 09/2010



- 6T3-1 ELEVATOR RIB
- 6T3-2 ELEVATOR CENTER CHANNEL
- 6T3-3 ELEVATOR SKIN
- 6T3-4 UPPER ELEVATOR HORN
- 6T3-5 LOWER ELEVATOR HORN
- 6T3-6 ELEVATOR HORN DOUBLER
- 6T3-7 ANGLE
- 6T3-8 BENT STRIP

- TRAILING EDGE TRIM TAB
- 6TE1-1 TRIM TAB SKIN
  - 6TE1-4 PIANO HINGE
  - 6TE1-5 SERVO COVER PLATE
  - 6TE1-6 TRIM TAB HORN ANGLE
  - 6TE1-7 TRIM TAB HORN SUPPORT
  - 6TE1-8 TRIM TAB END CAP

- RECESSED TRIM TAB
- 6T6-1 TRIM TAB SKIN
  - 6T6-3 ELEVATOR CUTOUT CHANNEL
  - 6T6-4 PIANO HINGE
  - 6T6-5 COVER PALTE
  - 6T6-6 TRIM TAB HORN ANGLE
  - T2-7A-TS SERVO

RECESSED TRIM TAB EXPLODED VIEW  
FRONT RIGHT VIEW

ELEVATOR & TRIM TAB ASSEMBLY  
FRONT RIGHT VIEW

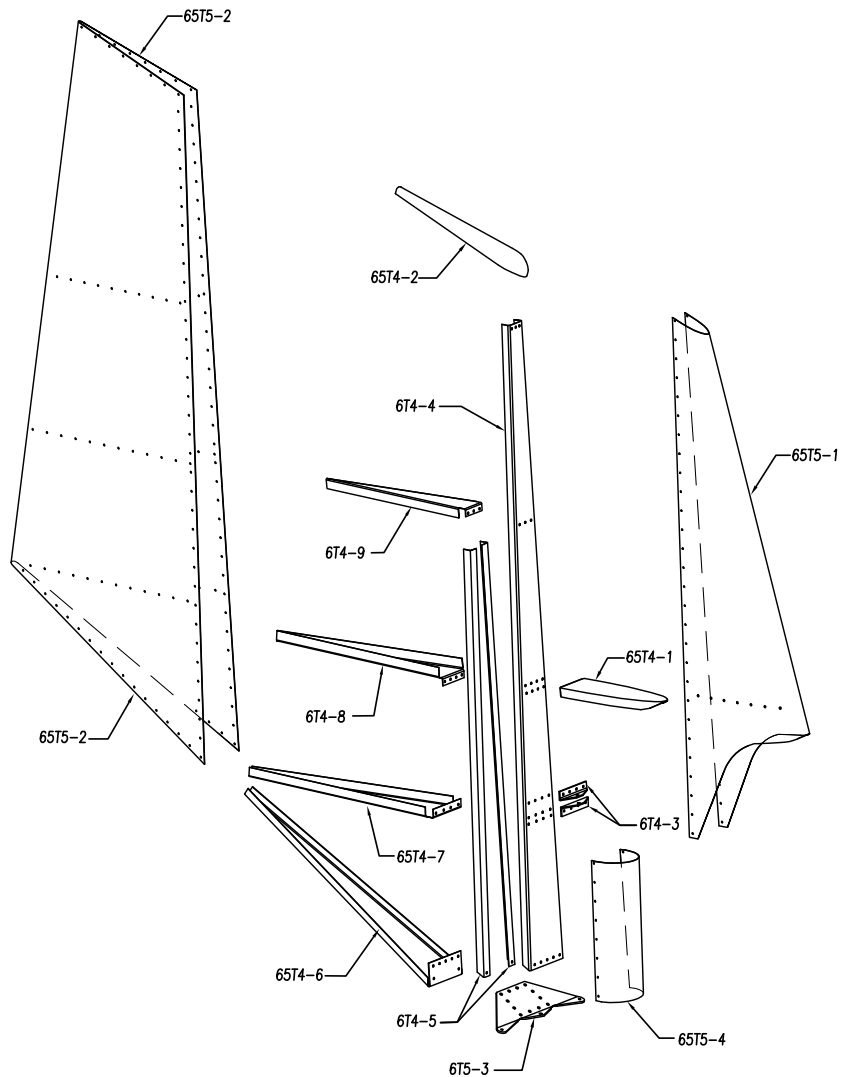
ZODIAC  
CH 650 B

ELEVATOR  
PARTS: 6-T-3, 6-T-6, 6-TE-1

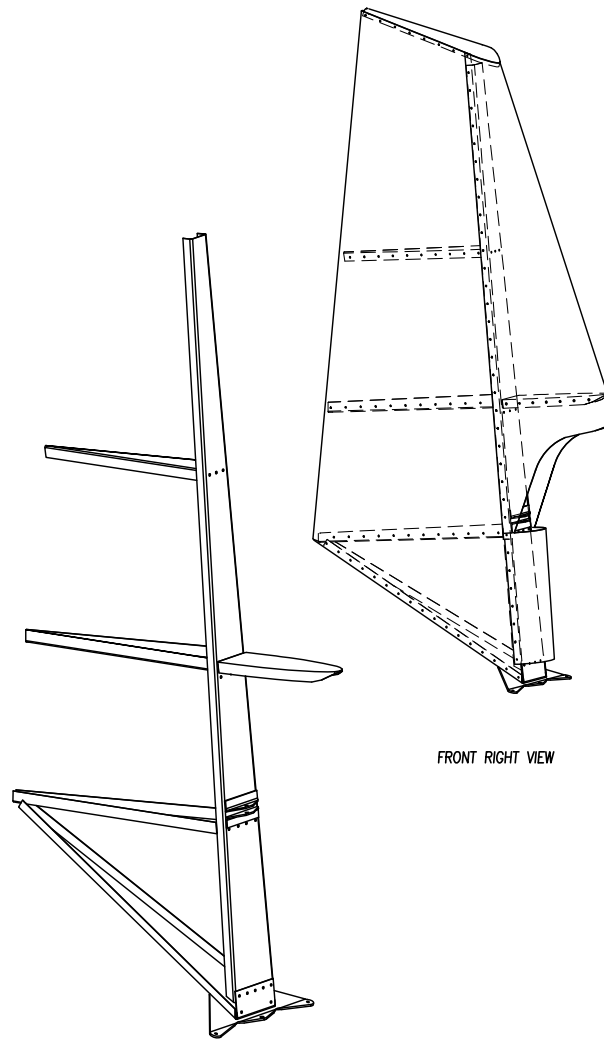
6-XT-2

Copyright© 2010 CHRIS HEINTZ

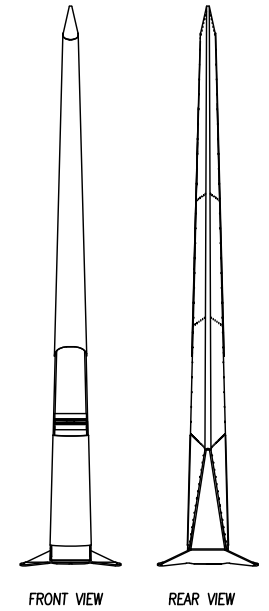
DATE: 09/2010



EXPLODED VIEW  
FRONT RIGHT VIEW



RUDDER SKELETON  
FRONT RIGHT VIEW



FRONT VIEW

REAR VIEW

FRONT RIGHT VIEW

65T4-1	NOSE RIB
65T4-2	TIP RIB
6T4-3	UPPER BEARING
6T4-4	VERTICAL TAIL SPAR
6T4-5	DOUBLER ANGLE
65T4-6	REAR RIB #1
65T4-7	REAR RIB #2
6T4-8	REAR RIB #3
6T4-9	REAR RIB #4
65T5-1	LEADING EDGE SKIN
65T5-2	TRAILING EDGE SKIN
6T5-3	VERTICAL TAIL HORN
65T5-4	FAIRING

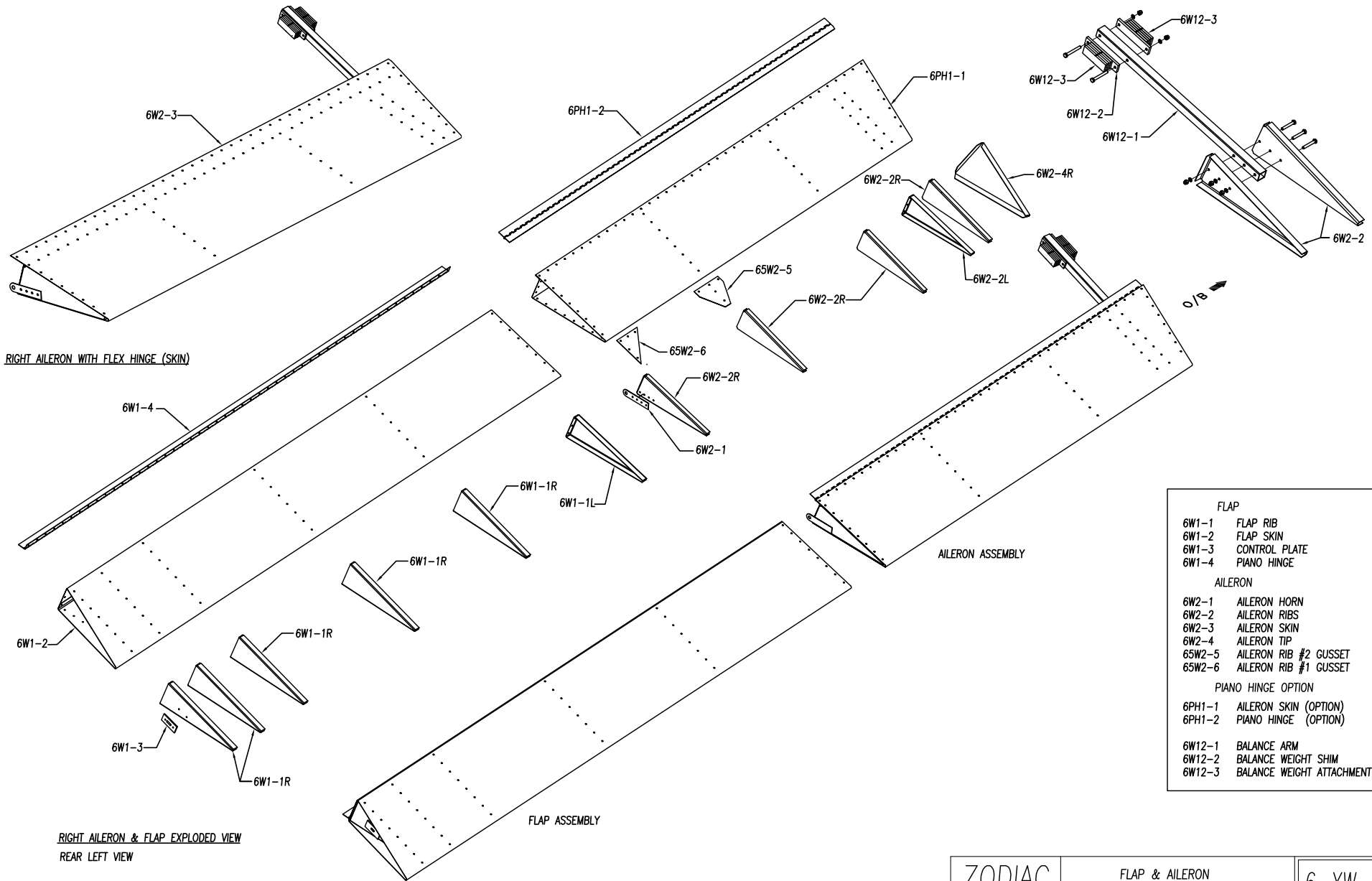
ZODIAC  
CH 650 B

VERTICAL TAIL  
PARTS: 6-T-4 & 6-T-5

6-XT-3

Copyright© 2010 CHRIS HEINTZ

DATE: 09/2010



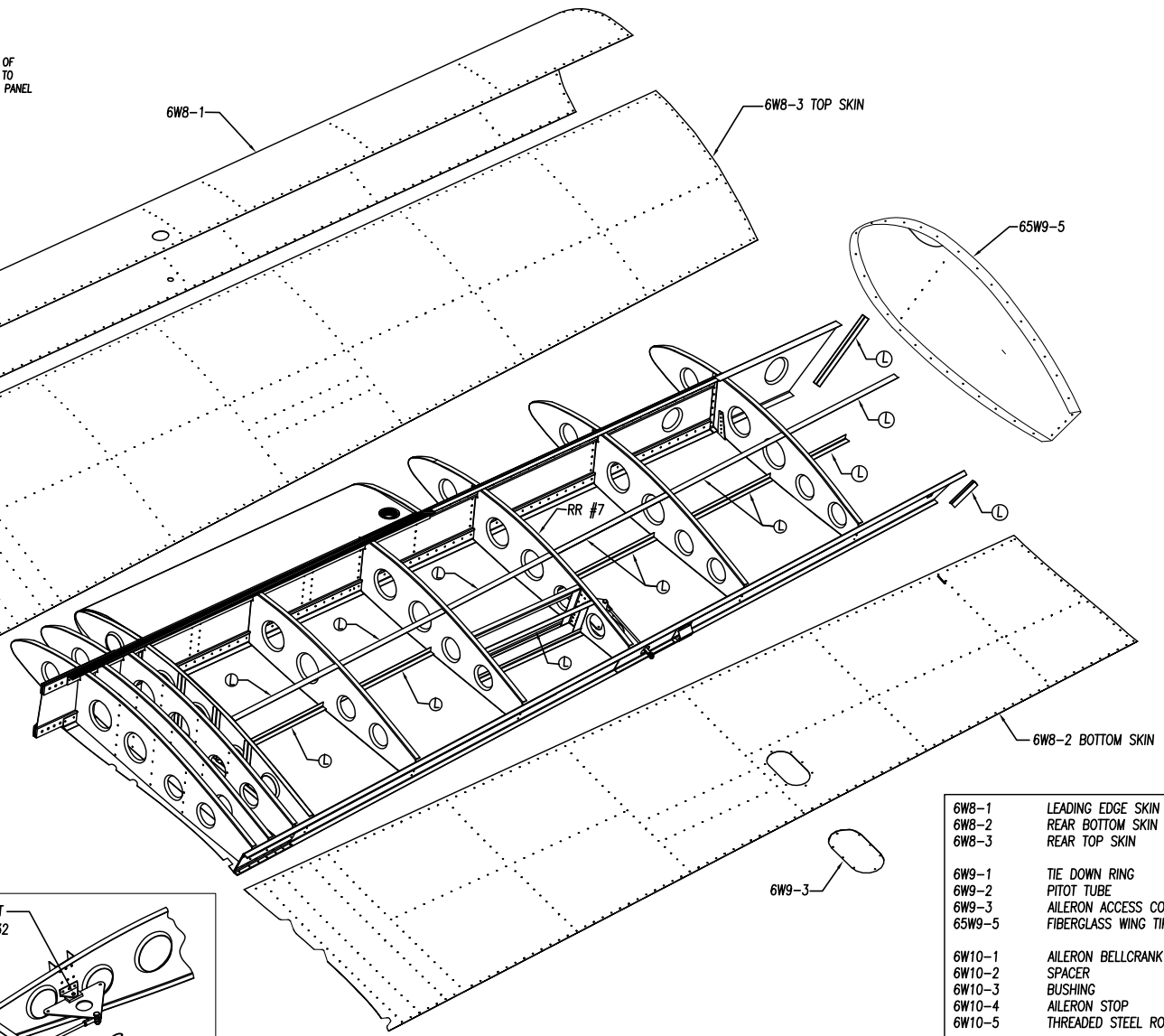
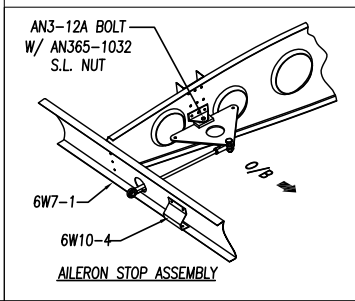
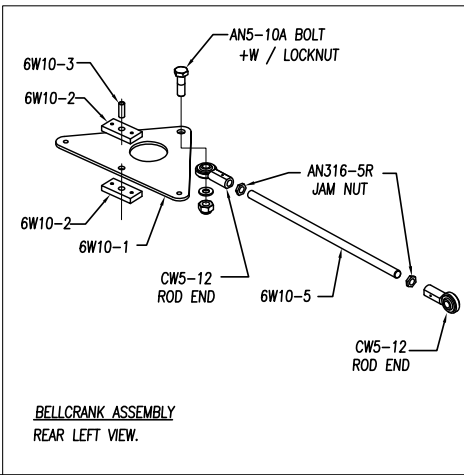
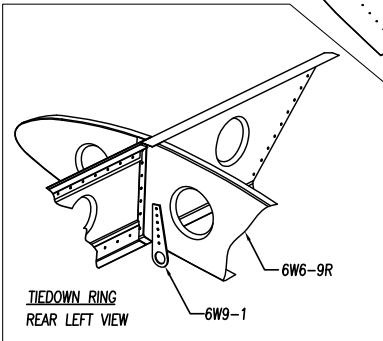
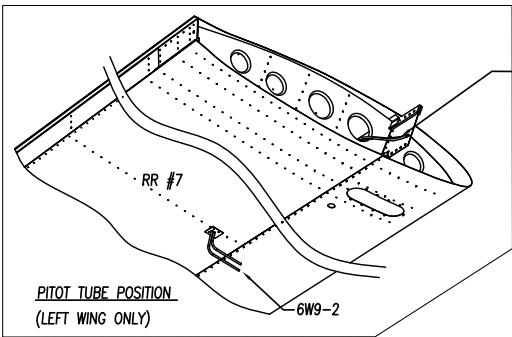
FLAP	
6W1-1	FLAP RIB
6W1-2	FLAP SKIN
6W1-3	CONTROL PLATE
6W1-4	PIANO HINGE
AILERON	
6W2-1	AILERON HORN
6W2-2	AILERON RIBS
6W2-3	AILERON SKIN
6W2-4	AILERON TIP
65W2-5	AILERON RIB #2 GUSSET
65W2-6	AILERON RIB #1 GUSSET
PIANO HINGE OPTION	
6PH1-1	AILERON SKIN (OPTION)
6PH1-2	PIANO HINGE (OPTION)
6W12-1	BALANCE ARM
6W12-2	BALANCE WEIGHT SHIM
6W12-3	BALANCE WEIGHT ATTACHMENT

ZODIAC  
CH 650 B

FLAP & AILERON  
Copyright © 2010 CHRIS HEINTZ

6-XW-4  
DATE: 09/2010





RIGHT WING EXPLODED VIEW  
REAR LEFT VIEW

6W8-1	LEADING EDGE SKIN
6W8-2	REAR BOTTOM SKIN
6W8-3	REAR TOP SKIN
6W9-1	TIE DOWN RING
6W9-2	PITOT TUBE
6W9-3	AILERON ACCESS COVER
65W9-5	FIBERGLASS WING TIP
6W10-1	AILERON BELLCRANK SPACER
6W10-2	SPACER
6W10-3	BUSHING
6W10-4	AILERON STOP
6W10-5	THREADED STEEL ROD

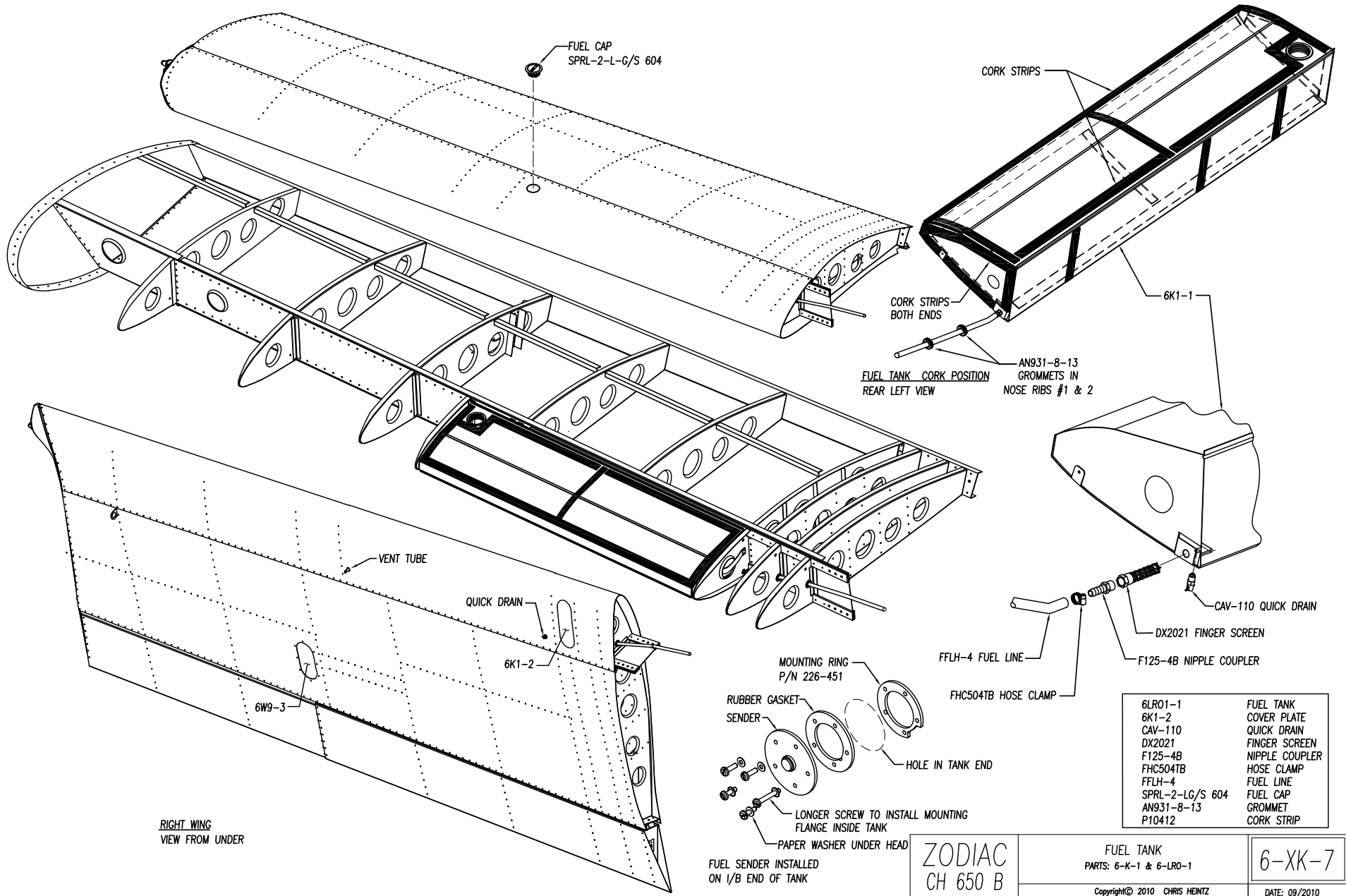
ZODIAC  
CH 650 B

WING SKINS  
PARTS: 6-W-8 to 6-W-10

6-XW-6

Copyright © 2010 CHRIS HEINTZ

DATE: 09/2010



6LR01-1	FUEL TANK COVER PLATE
6K1-2	QUICK DRAIN
CAV-110	FINGER SCREEN
DX2021	NIPPLE COUPLER
F125-4B	HOSE CLAMP
FHC504TB	FUEL LINE
FFLH-4	FUEL CAP
SPRL-2-LG/S 604	FUEL CAP GROMMET
AN931-8-13	CORK STRIP
P10412	

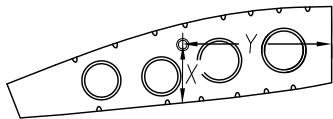
ZODIAC  
CH 650 B

FUEL TANK  
PARTS: 6-K-1 & 6-LR0-1

6-XK-7





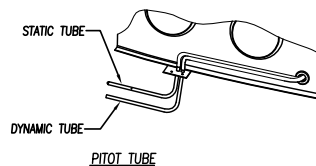


R. RIB #	X	Y	Ø"
1	205	40	7/8
2	195	40	7/8
3	190	455	7/8
4	175	455	7/8
5	130	455	7/8
6	75	425	7/8
7	25	455	7/8
8	25	455	7/16
9	25	455	7/16

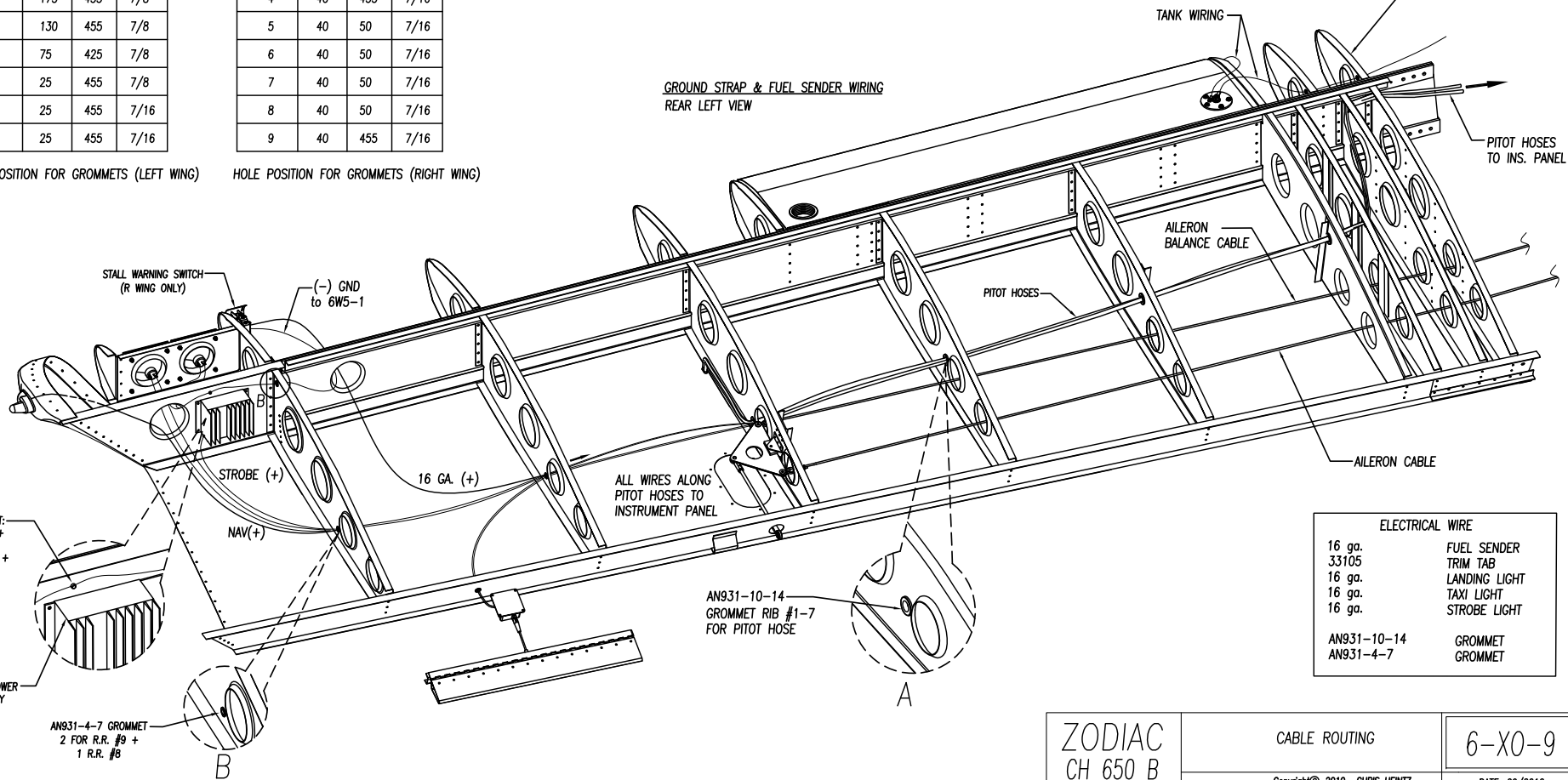
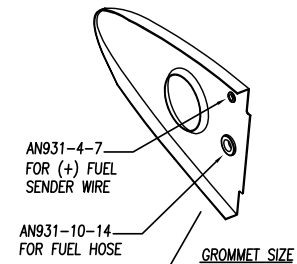
HOLE POSITION FOR GROMMETS (LEFT WING)

R. RIB #	X	Y	Ø"
1	40	50	7/16
2	40	50	7/16
3	40	455	7/16
4	40	455	7/16
5	40	50	7/16
6	40	50	7/16
7	40	50	7/16
8	40	50	7/16
9	40	455	7/16

HOLE POSITION FOR GROMMETS (RIGHT WING)



GROUND STRAP & FUEL SENDER WIRING  
REAR LEFT VIEW



A6 GND. RIVET:  
R: STALL W. +  
STROBE  
L: 2 x LIGHTS +  
STROBE

STROBE POWER  
SUPPLY

AN931-4-7 GROMMET  
2 FOR R.R. #9 +  
1 R.R. #6

STALL WARNING SWITCH  
(R WING ONLY)

(-) GND  
to 6W5-1

STROBE (+)

NAV(+)

16 GA. (+)

ALL WIRES ALONG  
PITOT HOSES TO  
INSTRUMENT PANEL

AN931-10-14  
GROMMET RIB #1-7  
FOR PITOT HOSE

TANK WIRING

AILERON  
BALANCE CABLE

PITOT HOSES

AILERON CABLE

AN931-4-7  
FOR (+) FUEL  
SENDER WIRE

AN931-10-14  
FOR FUEL HOSE

GROMMET SIZE

PITOT HOSES  
TO INS. PANEL

ELECTRICAL WIRE	
16 ga.	FUEL SENDER
33105	TRIM TAB
16 ga.	LANDING LIGHT
16 ga.	TAXI LIGHT
16 ga.	STROBE LIGHT
AN931-10-14	GROMMET
AN931-4-7	GROMMET

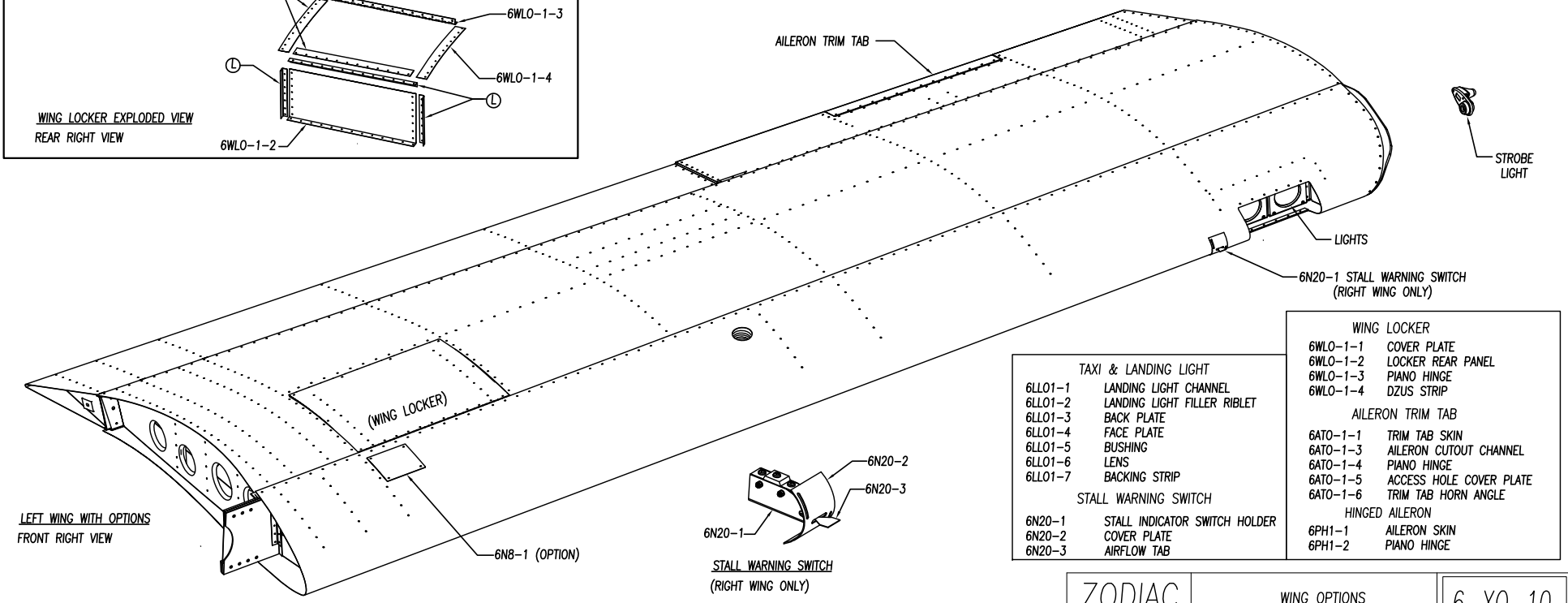
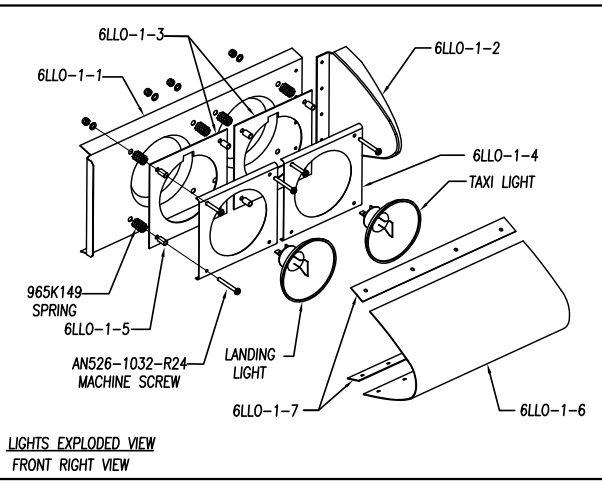
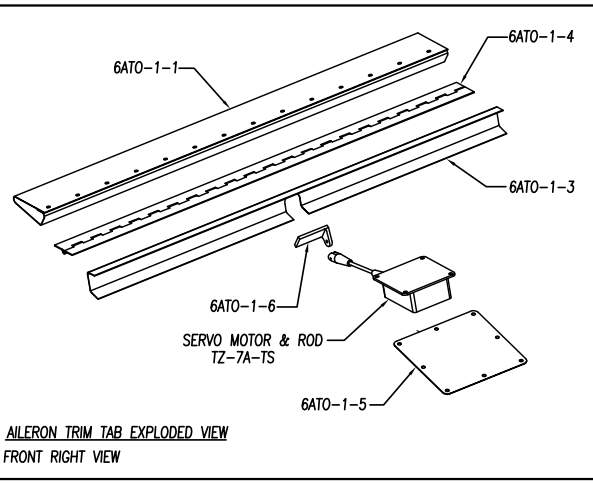
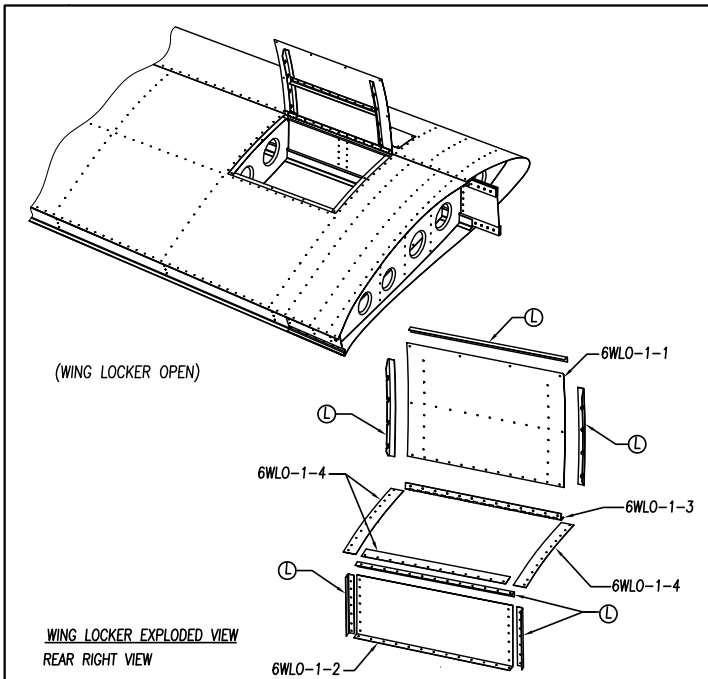
ZODIAC  
CH 650 B

CABLE ROUTING

6-X0-9

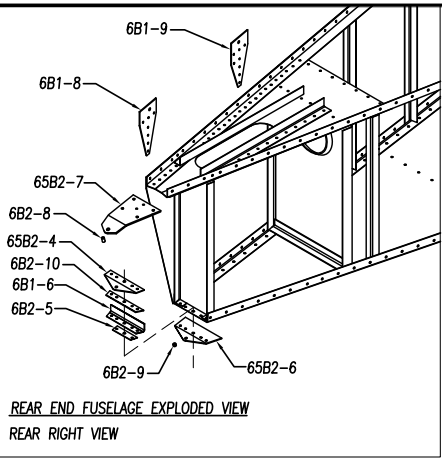
Copyright © 2010 CHRIS HEINTZ

DATE: 09/2010

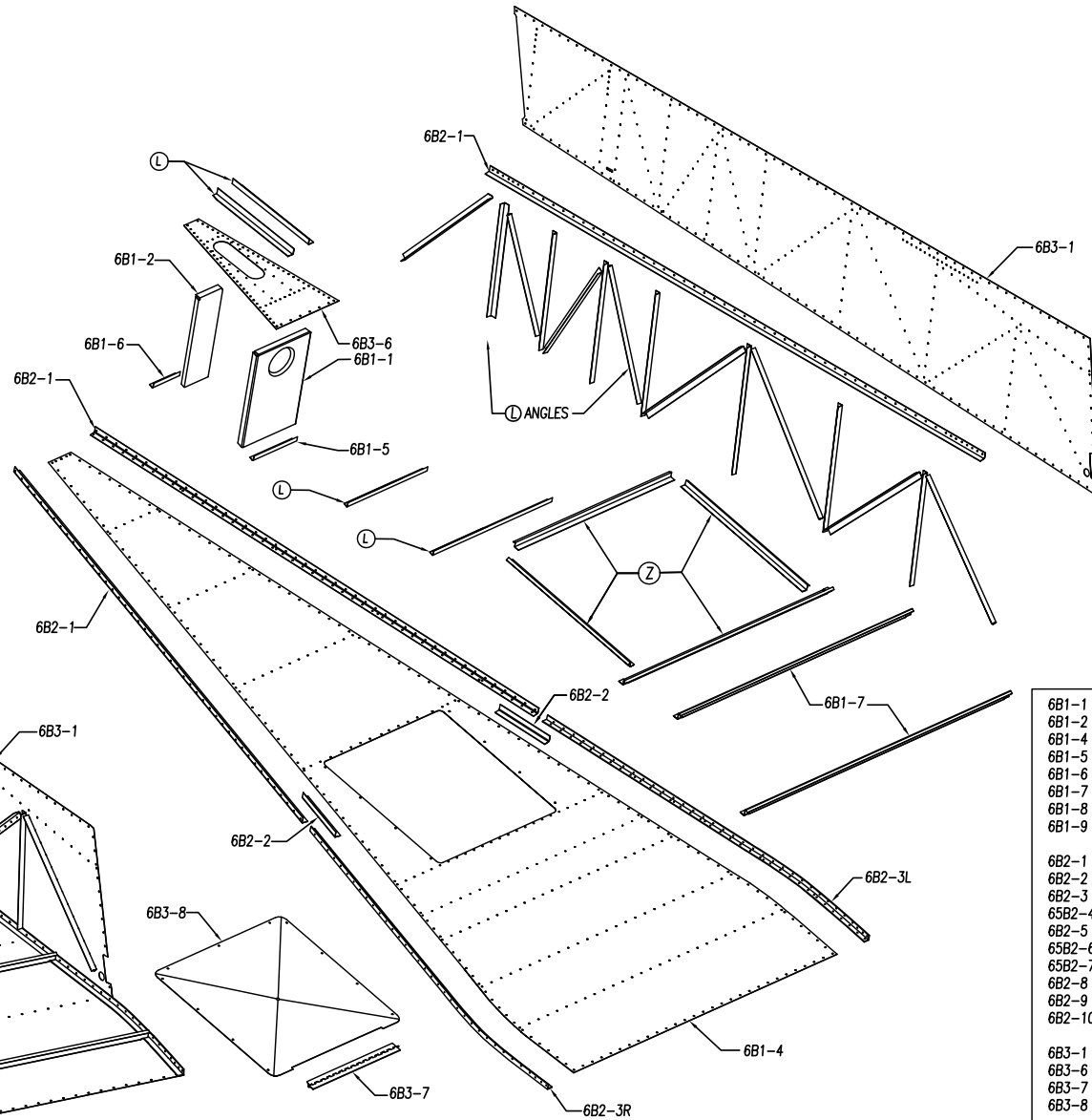


<b>TAXI &amp; LANDING LIGHT</b>		<b>WING LOCKER</b>	
6LLO1-1	LANDING LIGHT CHANNEL	6WLO-1-1	COVER PLATE
6LLO1-2	LANDING LIGHT FILLER RIBLET	6WLO-1-2	LOCKER REAR PANEL
6LLO1-3	BACK PLATE	6WLO-1-3	PIANO HINGE
6LLO1-4	FACE PLATE	6WLO-1-4	DZUS STRIP
6LLO1-5	BUSHING	<b>AILERON TRIM TAB</b>	
6LLO1-6	LENS	6ATO-1-1	TRIM TAB SKIN
6LLO1-7	BACKING STRIP	6ATO-1-3	AILERON CUTOUT CHANNEL
<b>STALL WARNING SWITCH</b>		6ATO-1-4	PIANO HINGE
6N20-1	STALL INDICATOR SWITCH HOLDER	6ATO-1-5	ACCESS HOLE COVER PLATE
6N20-2	COVER PLATE	6ATO-1-6	TRIM TAB HORN ANGLE
6N20-3	AIRFLOW TAB	<b>HINGED AILERON</b>	
		6PH1-1	AILERON SKIN
		6PH1-2	PIANO HINGE

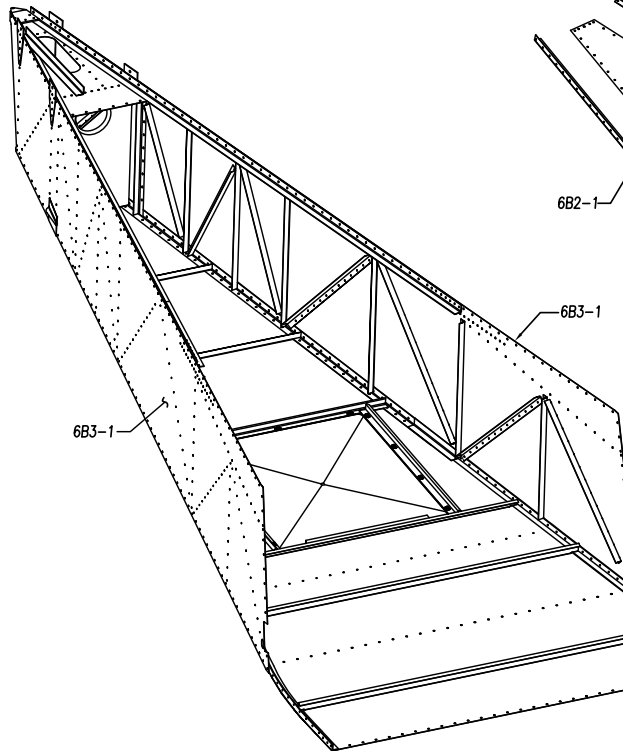
ZODIAC CH 650 B	WING OPTIONS	6-XO-10
	Copyright © 2010 CHRIS HEINTZ	



REAR END FUSELAGE EXPLODED VIEW  
REAR RIGHT VIEW



REAR FUSELAGE EXPLODED VIEW  
FRONT RIGHT VIEW



REAR FUSELAGE ASSEMBLY  
FRONT RIGHT VIEW

6B1-1	FRONT H.T. FRAME
6B1-2	REAR H.T. FRAME
6B1-4	BOTTOM SKIN
6B1-5	ANGLE
6B1-6	ANGLE
6B1-7	CROSS STIFFENER
6B1-8	H.T. ATTACH. BRACKET (REAR)
6B1-9	H.T. ATTACH. BRACKET (FRONT)
6B2-1	REAR LONGERON (TOP & BOTTOM)
6B2-2	LONGERON DOUBLER
6B2-3	BOTTOM LONGERON
65B2-4	LOWER RUDDER HINGE (TOP)
6B2-5	LONGERON SHIM
65B2-6	LOWER RUDDER HINGE (BOTTOM)
65B2-7	UPPER RUDDER HINGE
6B2-8	UPPER RUDDER BUSHING
6B2-9	LOWER RUDDER BUSHING
6B2-10	HINGE SHIM
6B3-1	FUSELAGE REAR SIDE SKIN
6B3-6	REAR PANEL ( TOP)
6B3-7	PIANO HINGE (ACCESS DOOR)
6B3-8	BOTTOM FUSELAGE ACCESS DOOR

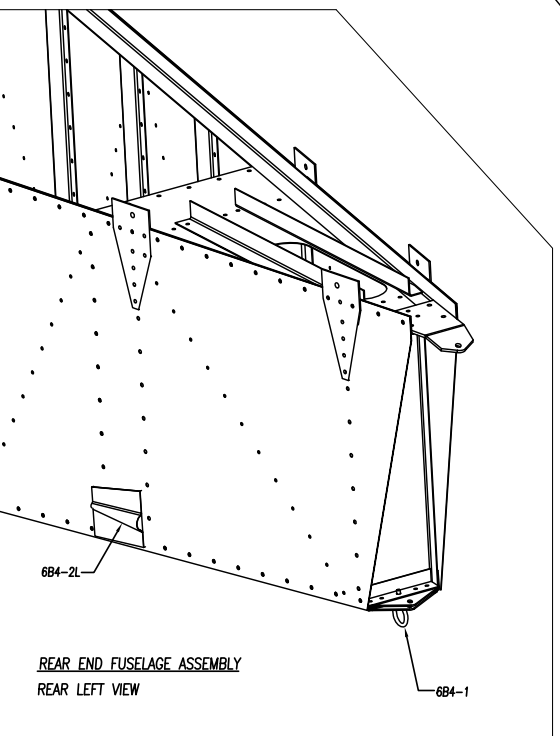
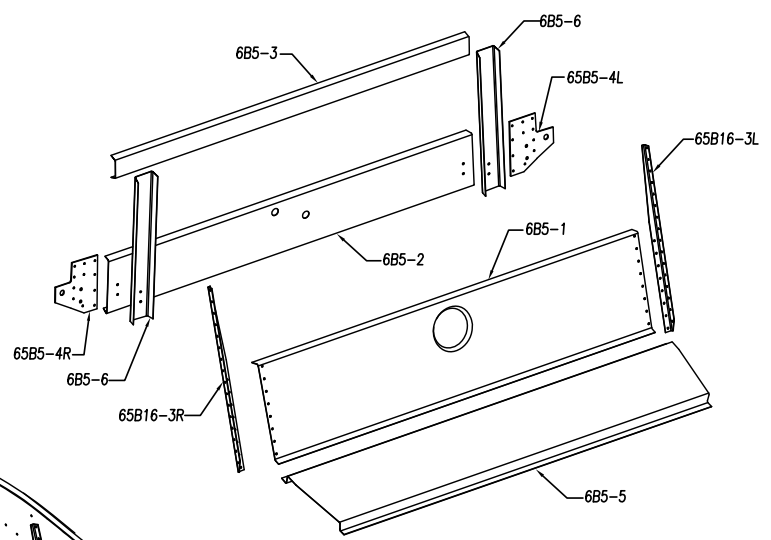
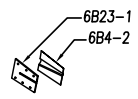
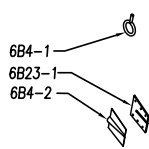
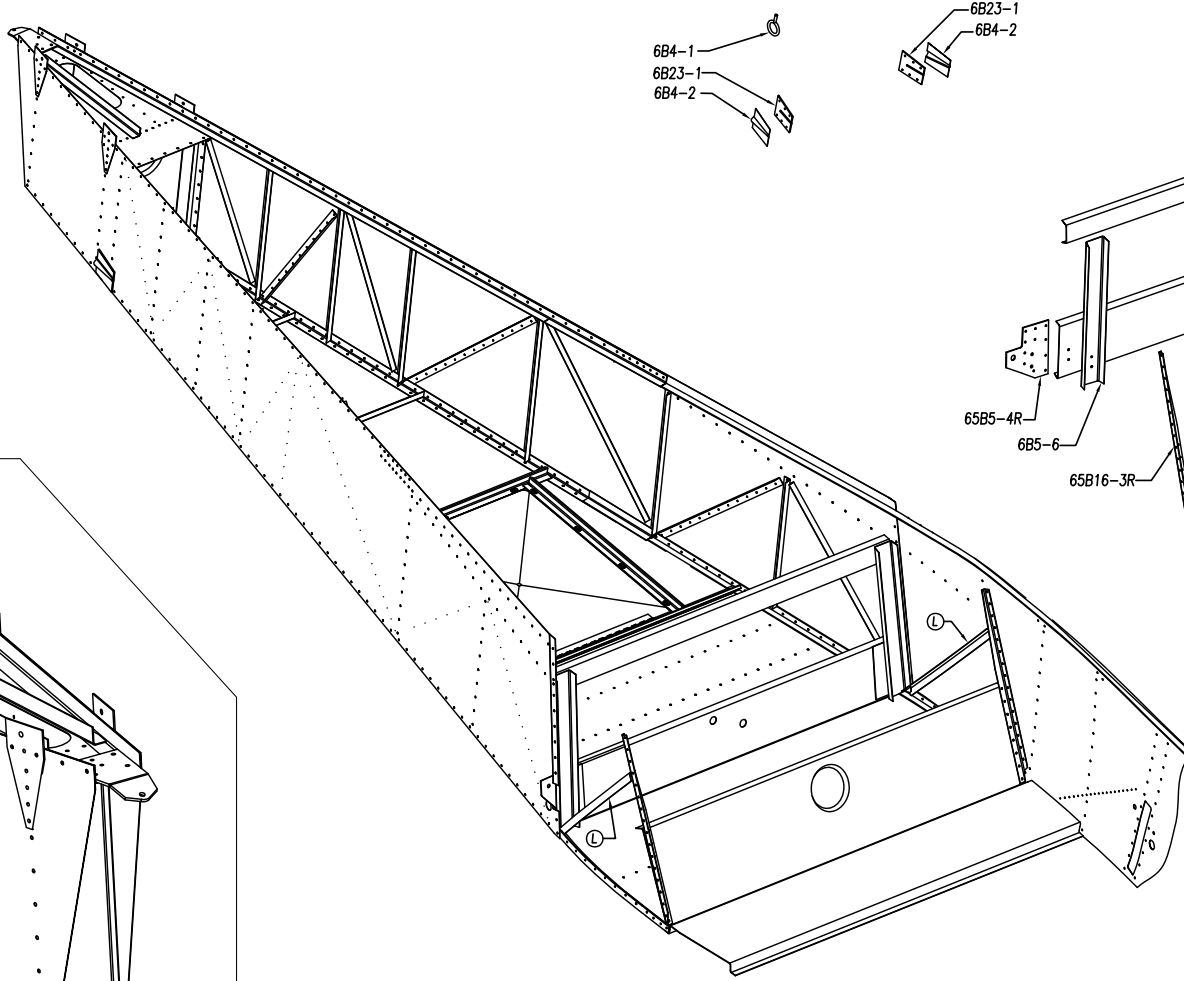
ZODIAC  
CH 650 B

REAR FUSELAGE  
PARTS: 6-B-1 to 6-B-3

6-XB-11

Copyright© 2010 CHRIS HEINTZ

DATE: 09/2010



REAR FUSELAGE ASSEMBLY  
FRONT RIGHT VIEW

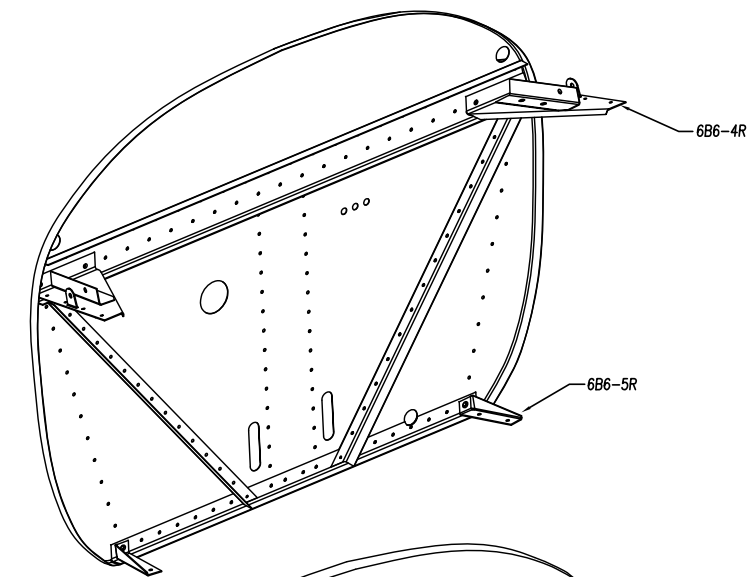
REAR END FUSELAGE ASSEMBLY  
REAR LEFT VIEW

- 6B4-1 TIE DOWN RING
- 6B4-2 CABLE OUTLET FAIRING
- 6B5-1 REAR SEAT PANEL
- 6B5-2 REAR FRAME CHANNEL
- 6B5-3 UPPER CHANNEL
- 6B5-4 ATTACH PLATE
- 6B5-5 GEAR CHANNEL
- 6B5-6 UPRIGHT CHANNEL
- 65B16-3 SEAT BACK SIDE ANGLE
- 6B23-1 CABLE OUTLET FAIRLEAD

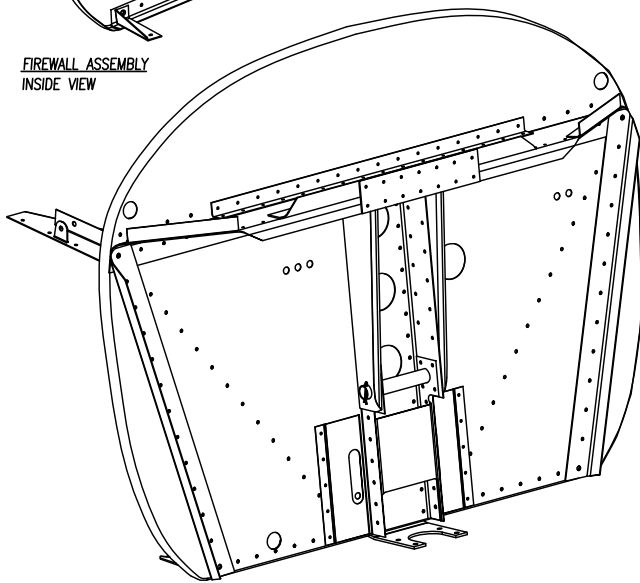
ZODIAC  
CH 650 B

REAR FUSELAGE  
PARTS: 6-B-4 to 6-B-5

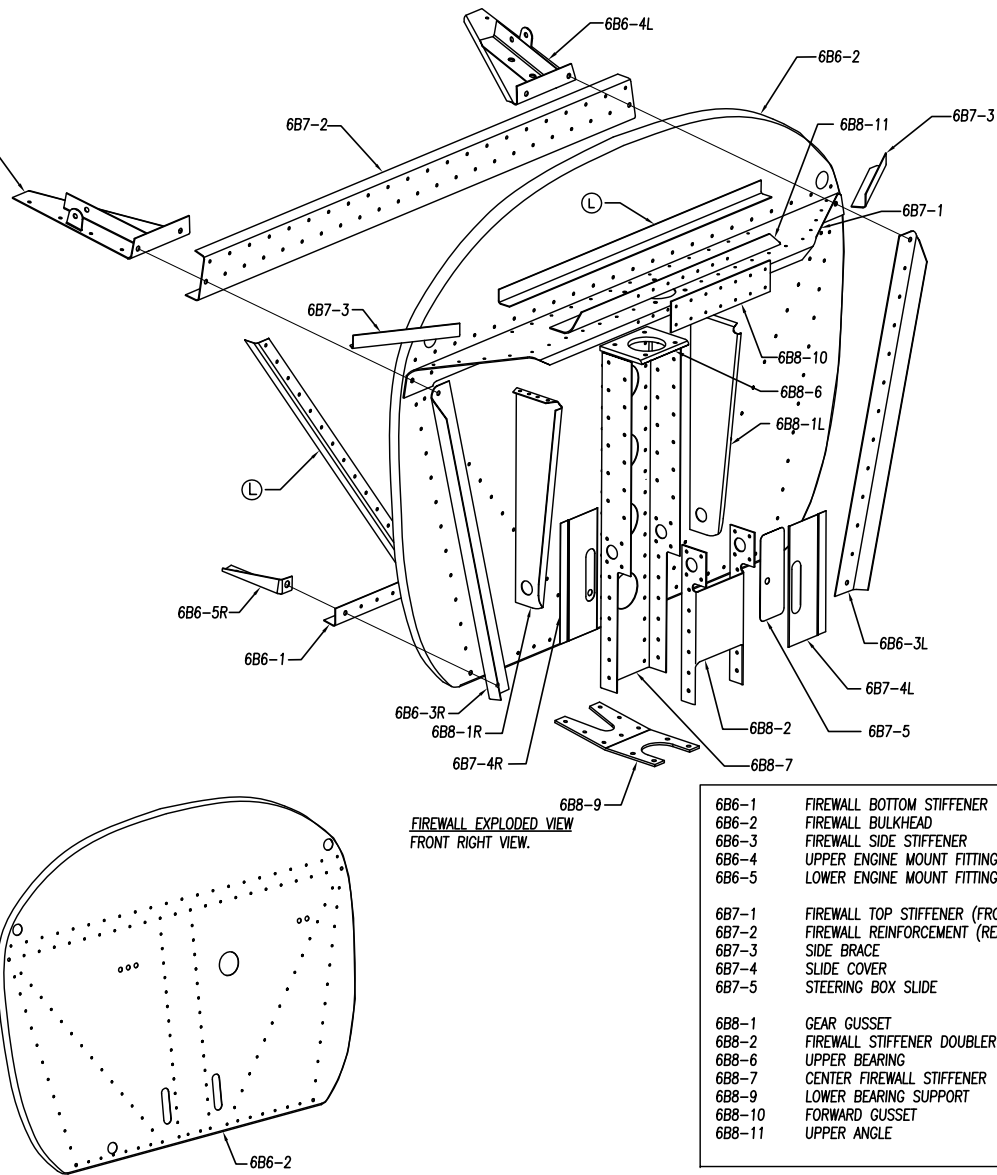
6-XB-12



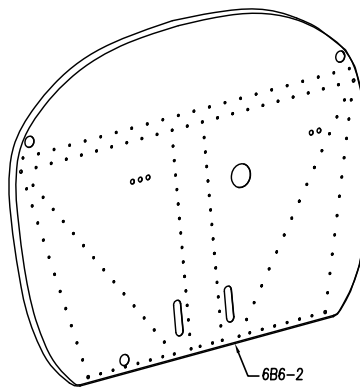
FIREWALL ASSEMBLY  
INSIDE VIEW



FIREWALL ASSEMBLY  
FRONT RIGHT VIEW



FIREWALL EXPLODED VIEW  
FRONT RIGHT VIEW.



PREDRILLED FIREWALL  
FRONT RIGHT VIEW.

6B6-1	FIREWALL BOTTOM STIFFENER
6B6-2	FIREWALL BULKHEAD
6B6-3	FIREWALL SIDE STIFFENER
6B6-4	UPPER ENGINE MOUNT FITTING
6B6-5	LOWER ENGINE MOUNT FITTING
6B7-1	FIREWALL TOP STIFFENER (FRONT)
6B7-2	FIREWALL REINFORCEMENT (REAR)
6B7-3	SIDE BRACE
6B7-4	SLIDE COVER
6B7-5	STEERING BOX SLIDE
6B8-1	GEAR GUSSET
6B8-2	FIREWALL STIFFENER DOUBLER
6B8-6	UPPER BEARING
6B8-7	CENTER FIREWALL STIFFENER
6B8-9	LOWER BEARING SUPPORT
6B8-10	FORWARD GUSSET
6B8-11	UPPER ANGLE

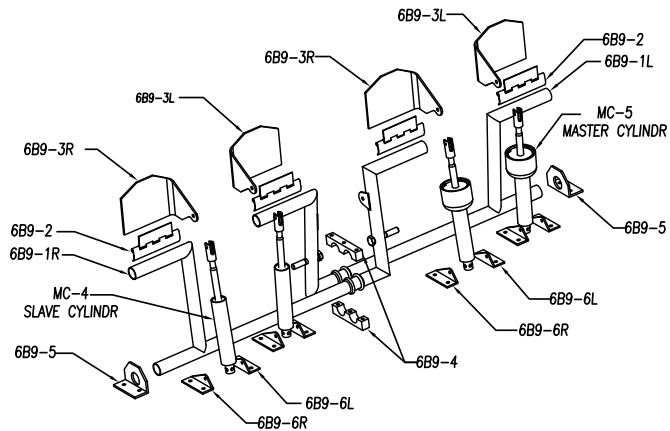
ZODIAC  
CH 650 B

FIREWALL  
PARTS: 6-B-6 to 6-B-8

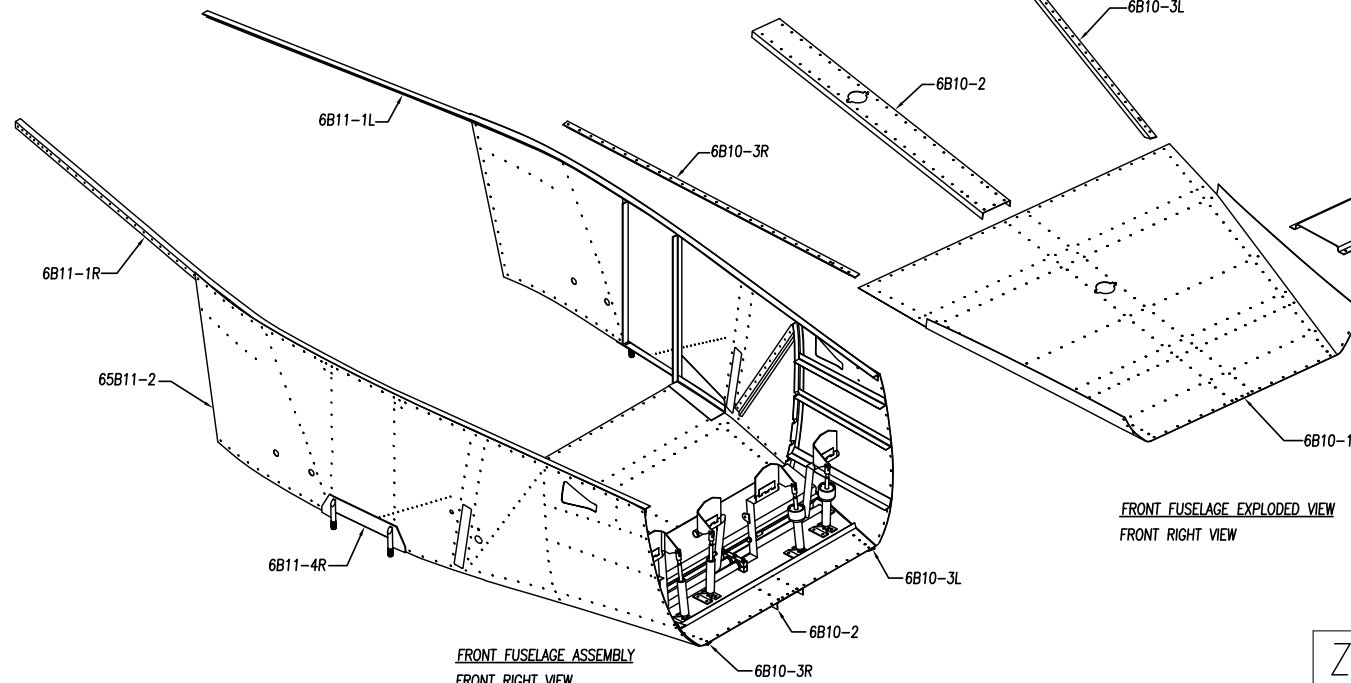
6-XB-13

Copyright© 2010 CHRIS HEINTZ

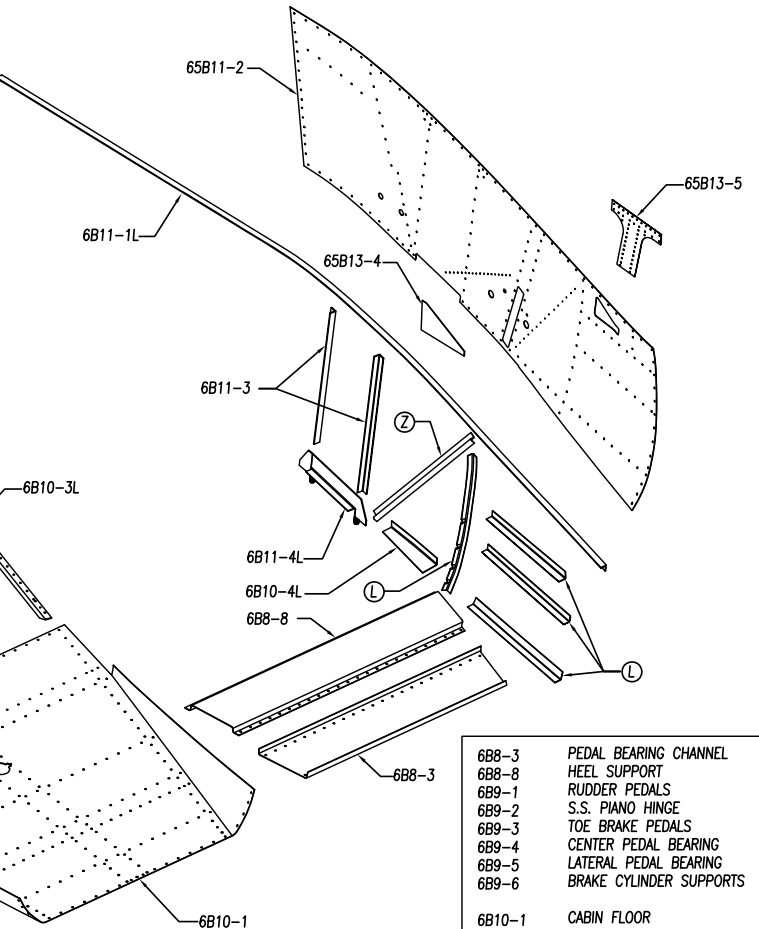
DATE: 09/2010



**RUDDER PEDAL / TOE BRAKE ASSEMBLY**  
FRONT RIGHT VIEW



**FRONT FUSELAGE ASSEMBLY**  
FRONT RIGHT VIEW



**FRONT FUSELAGE EXPLODED VIEW**  
FRONT RIGHT VIEW

- |         |                         |
|---------|-------------------------|
| 6B8-3   | PEDAL BEARING CHANNEL   |
| 6B8-8   | HEEL SUPPORT            |
| 6B9-1   | RUDDER PEDALS           |
| 6B9-2   | S.S. PIANO HINGE        |
| 6B9-3   | TOE BRAKE PEDALS        |
| 6B9-4   | CENTER PEDAL BEARING    |
| 6B9-5   | LATERAL PEDAL BEARING   |
| 6B9-6   | BRAKE CYLINDER SUPPORTS |
| 6B10-1  | CABIN FLOOR             |
| 65B10-2 | FLOOR STIFFENER         |
| 6B10-3  | LOWER FRONT LONGERON    |
| 6B10-4  | GUSSET                  |
| 6B11-1  | UPPER FRONT LONGERON    |
| 65B11-2 | FORWARD SIDE SKINS      |
| 6B11-3  | GEAR UPRIGHT            |
| 6B11-4  | MAIN GEAR ATTACHMENT    |
| 65B13-4 | SIDE DOUBLER            |
| 65B13-5 | UPRIGHT DOUBLER         |

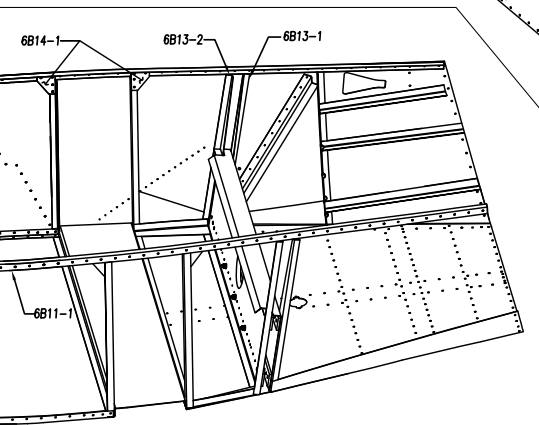
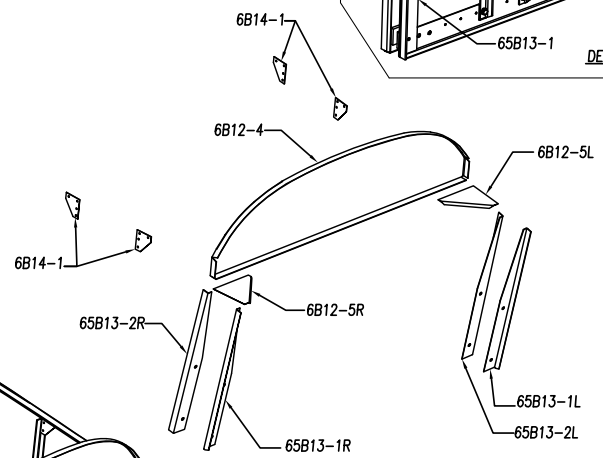
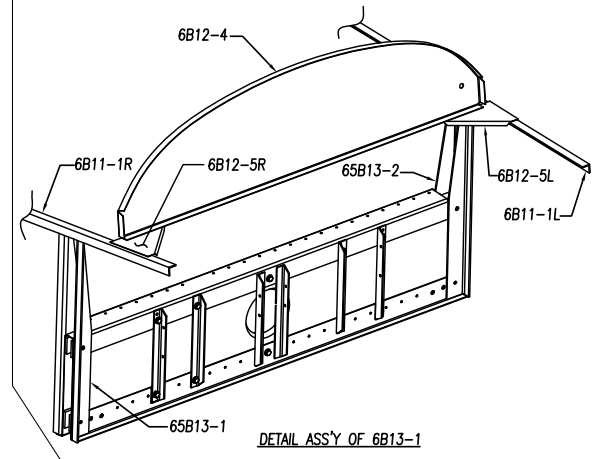
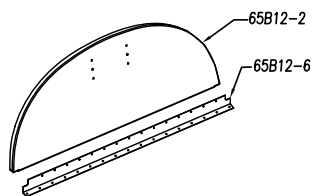
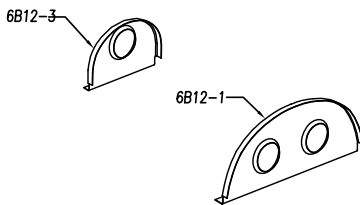
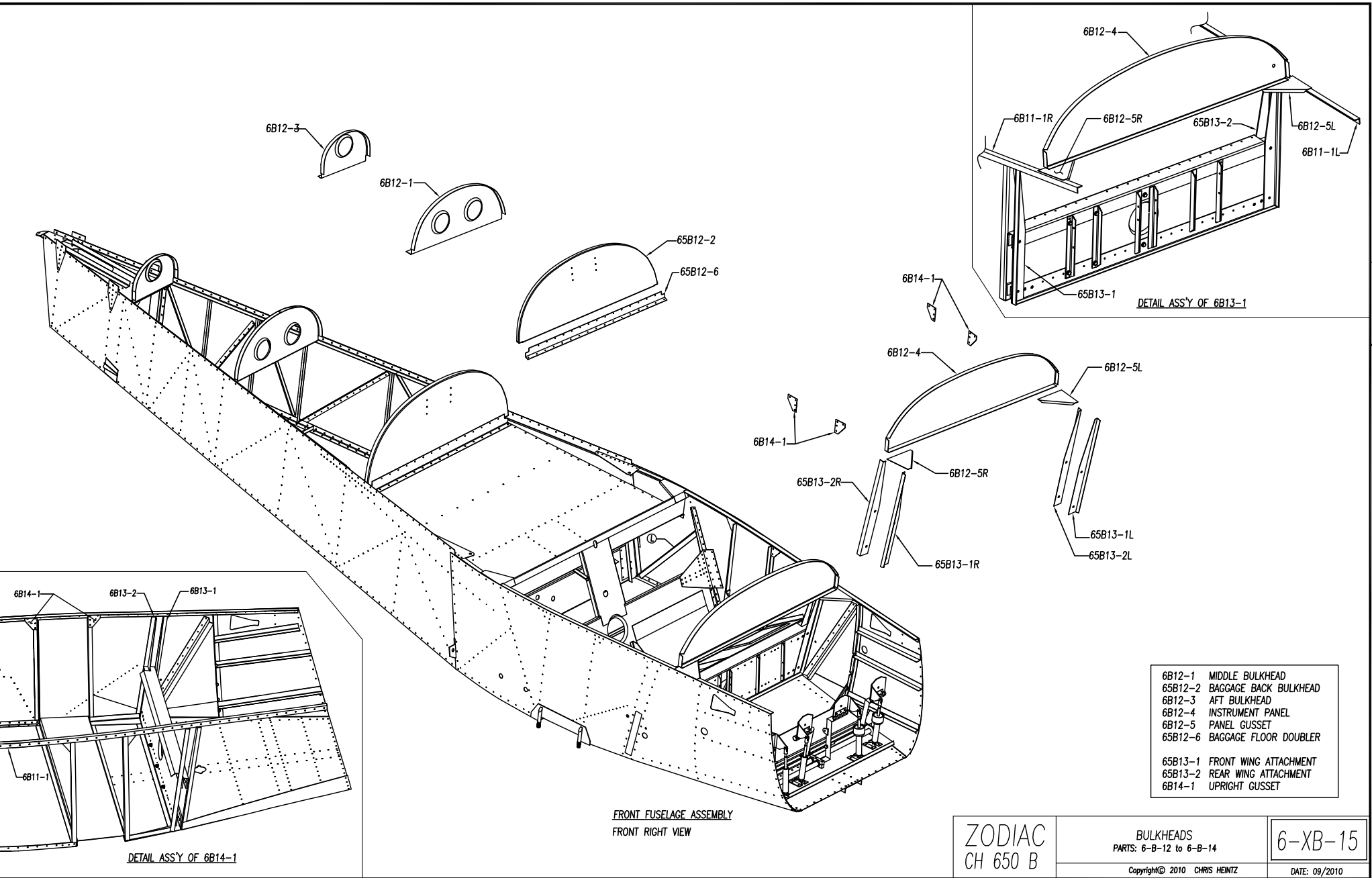
ZODIAC  
CH 650 B

CABIN FLOOR AND SIDES  
PARTS: 6-B-9 to 6-B-11

6-XB-14

Copyright© 2010 CHRIS HEINTZ

DATE: 09/2010



- 6B12-1 MIDDLE BULKHEAD
- 65B12-2 BAGGAGE BACK BULKHEAD
- 6B12-3 AFT BULKHEAD
- 6B12-4 INSTRUMENT PANEL
- 6B12-5 PANEL GUSSET
- 65B12-6 BAGGAGE FLOOR DOUBLER
  
- 65B13-1 FRONT WING ATTACHMENT
- 65B13-2 REAR WING ATTACHMENT
- 6B14-1 UPRIGHT GUSSET

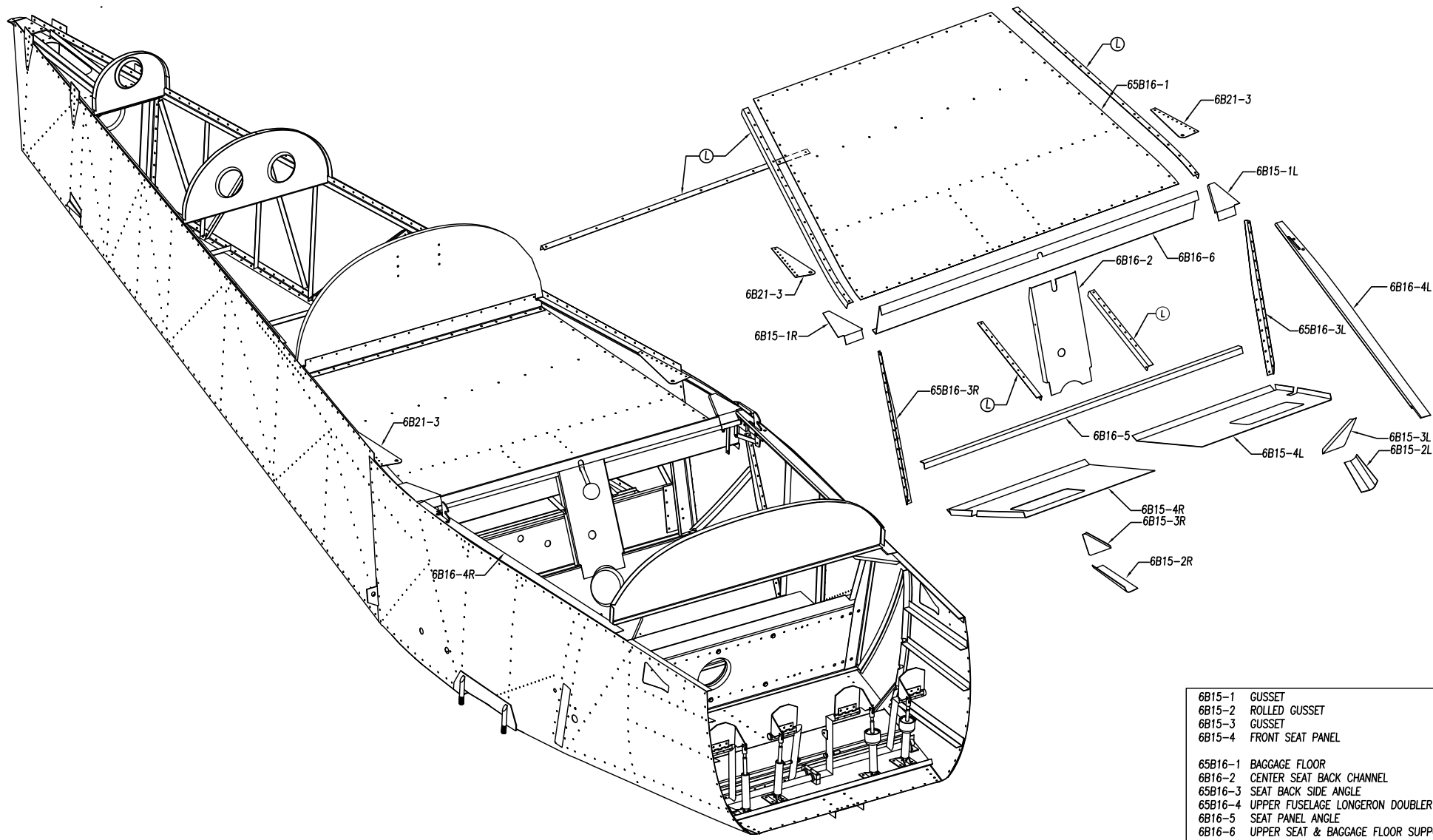
FRONT FUSELAGE ASSEMBLY  
FRONT RIGHT VIEW

ZODIAC  
CH 650 B

BULKHEADS  
PARTS: 6-B-12 to 6-B-14  
Copyright© 2010 CHRIS HEINTZ

6-XB-15  
DATE: 09/2010





FUSELAGE ASSEMBLY  
FRONT RIGHT VIEW

- |         |                                    |
|---------|------------------------------------|
| 6B15-1  | GUSSET                             |
| 6B15-2  | ROLLED GUSSET                      |
| 6B15-3  | GUSSET                             |
| 6B15-4  | FRONT SEAT PANEL                   |
| 65B16-1 | BAGGAGE FLOOR                      |
| 6B16-2  | CENTER SEAT BACK CHANNEL           |
| 65B16-3 | SEAT BACK SIDE ANGLE               |
| 65B16-4 | UPPER FUSELAGE LONGERON DOUBLER    |
| 6B16-5  | SEAT PANEL ANGLE                   |
| 6B16-6  | UPPER SEAT & BAGGAGE FLOOR SUPPORT |
| 6B21-3  | SHOULDER HARNESS FITTING           |

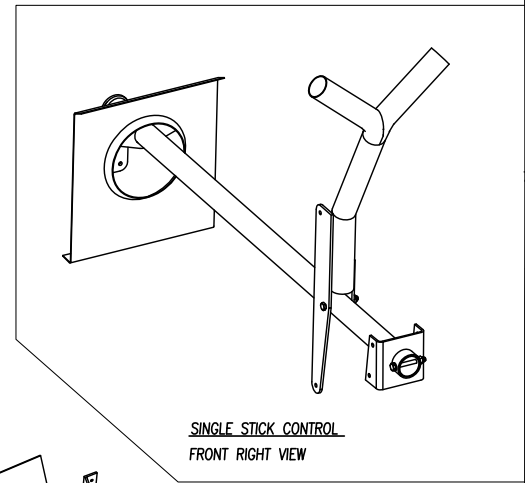
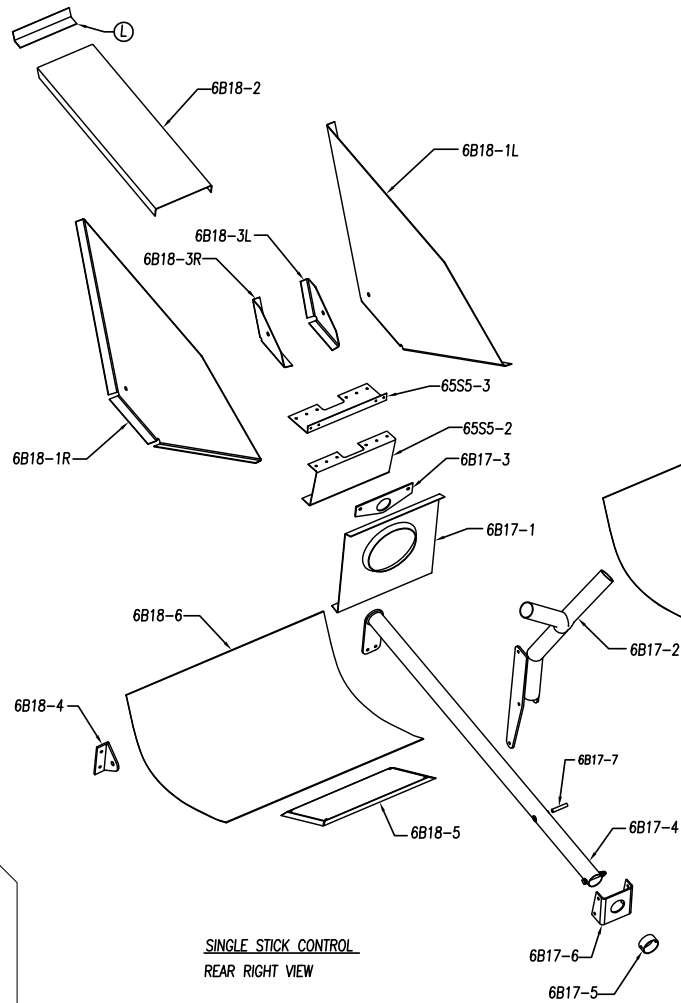
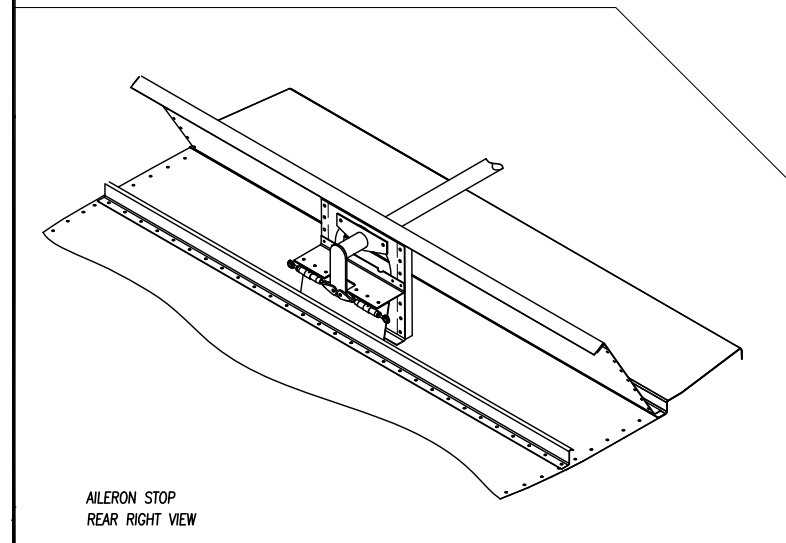
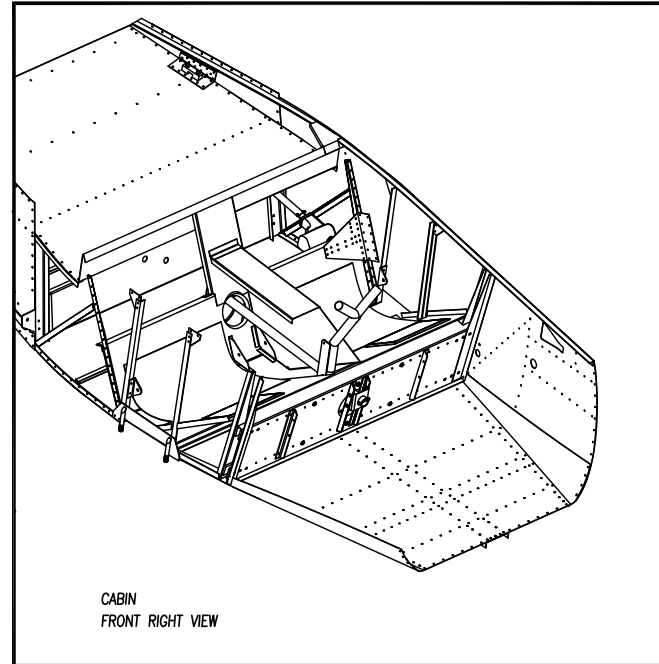
ZODIAC  
CH 650 B

BAGGAGE FLOOR  
PARTS: 6-B-15 to 6-B-16

6-XB-16

Copyright© 2010 CHRIS HEINTZ

DATE: 09/2010



6B17-1	REAR TORQUE TUBE BEARING SUPPORT
6B17-2	CONTROL COLUMN
6B17-3	REAR TORQUE TUBE BEARING
6B17-4	TORQUE TUBE
6B17-5	STOP RING
6B17-6	FRWD. TORQUE TUBE BEARING
6B17-7	TORQUE TUBE BUSHING
6B18-1	ARM REST SIDE
6B18-2	ARM REST COVER
6B18-3	SEAT BELT ATTACHMENT DOUBLER PLATE
6B18-4	SEAT BELT ATTACHMENT
6B18-5	SPAR ACCESS COVER
6B18-6	SEAT BOTTOM
65S5-2	AILERON STOP SUPPORT
65S5-3	AILERON CONTROL STOP

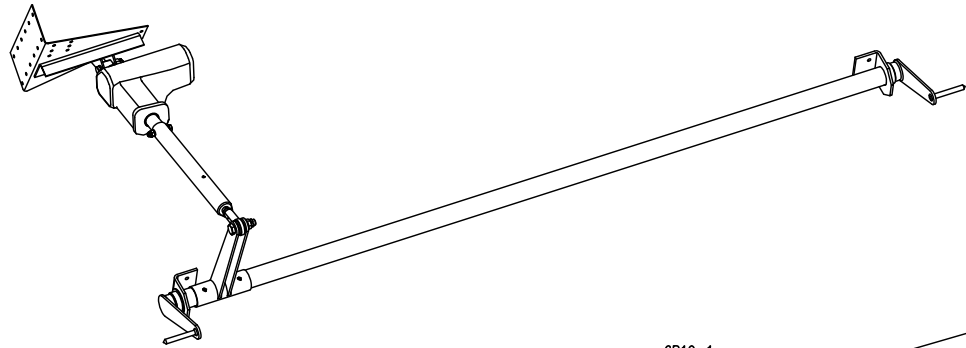
ZODIAC  
CH 650 B

CONTROL COLUMN & COVERS  
PARTS: 6-B-17 to 6-B-18

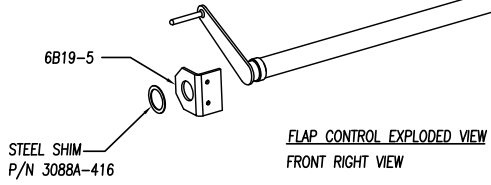
6-XB-17

Copyright© 2010 CHRIS HEINTZ

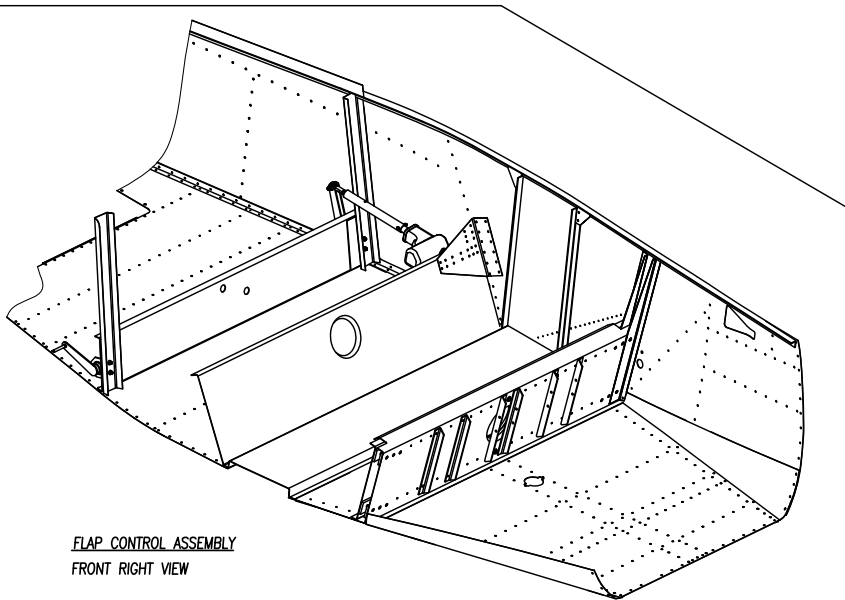
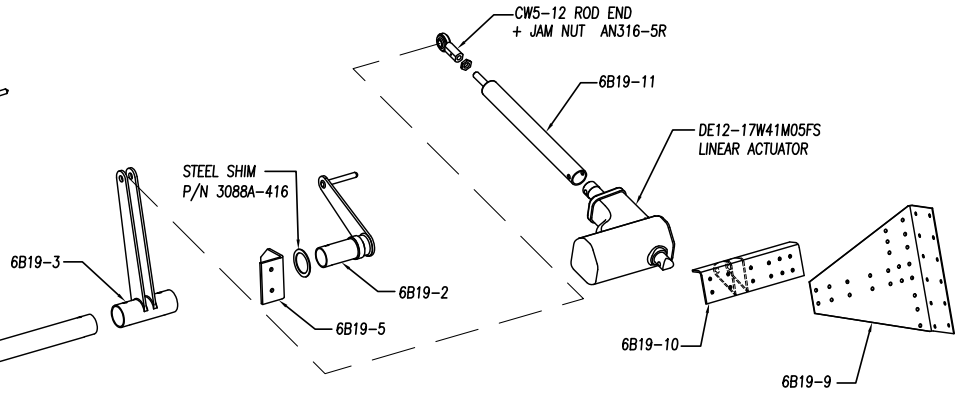
DATE: 09/2010



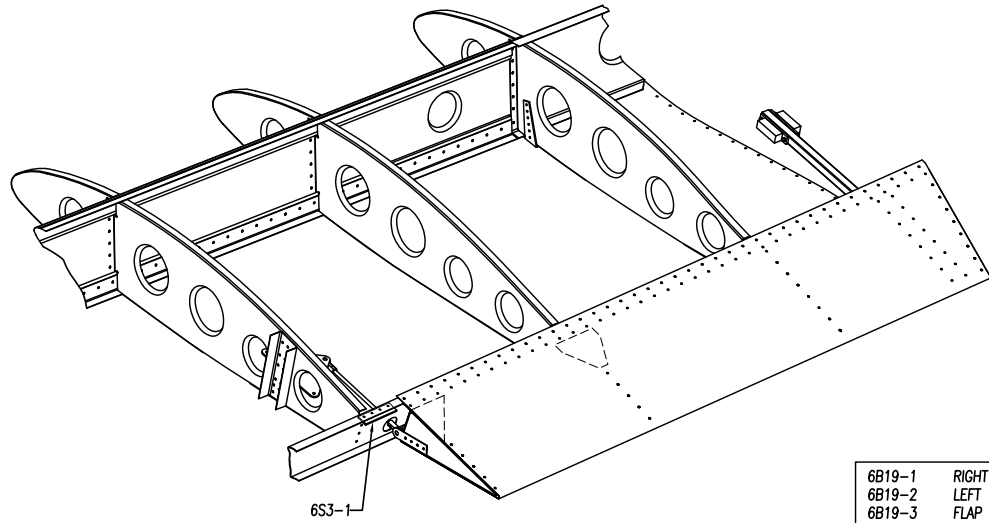
FLAP CONTROL ASSEMBLY  
REAR LEFT VIEW



FLAP CONTROL EXPLODED VIEW  
FRONT RIGHT VIEW



FLAP CONTROL ASSEMBLY  
FRONT RIGHT VIEW



6B19-1	RIGHT FLAP CONTROL TUBE
6B19-2	LEFT FLAP CONTROL TUBE
6B19-3	FLAP CONTROL ARM
6B19-5	FLAP CONTROL BEARING
6B19-9	FLAP MOUNT GUSSET
6B19-10	LINEAR ACTUATOR MOUNT
6B19-11	LINEAR ACTUATOR ROD
6S3-1	FLAP GAP STOP

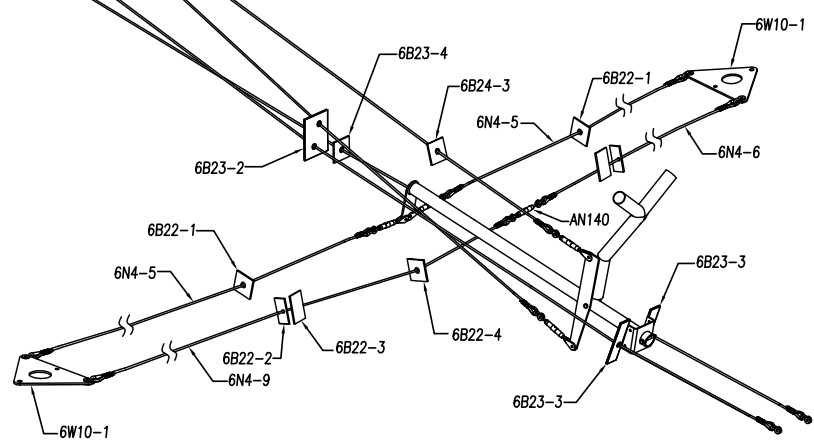
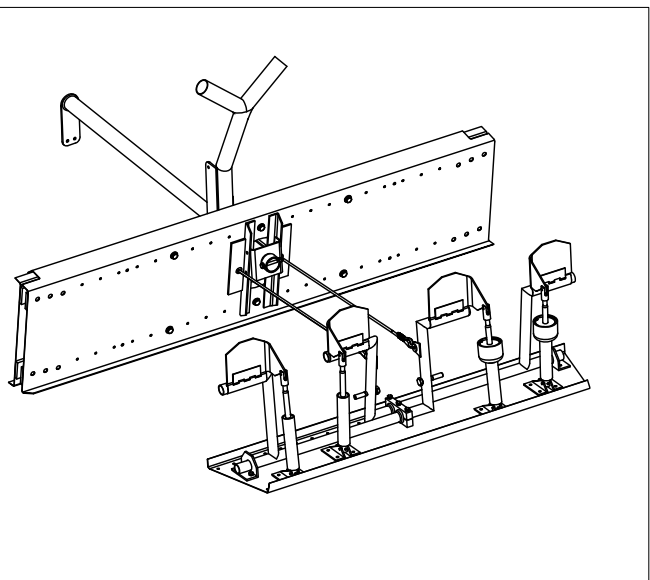
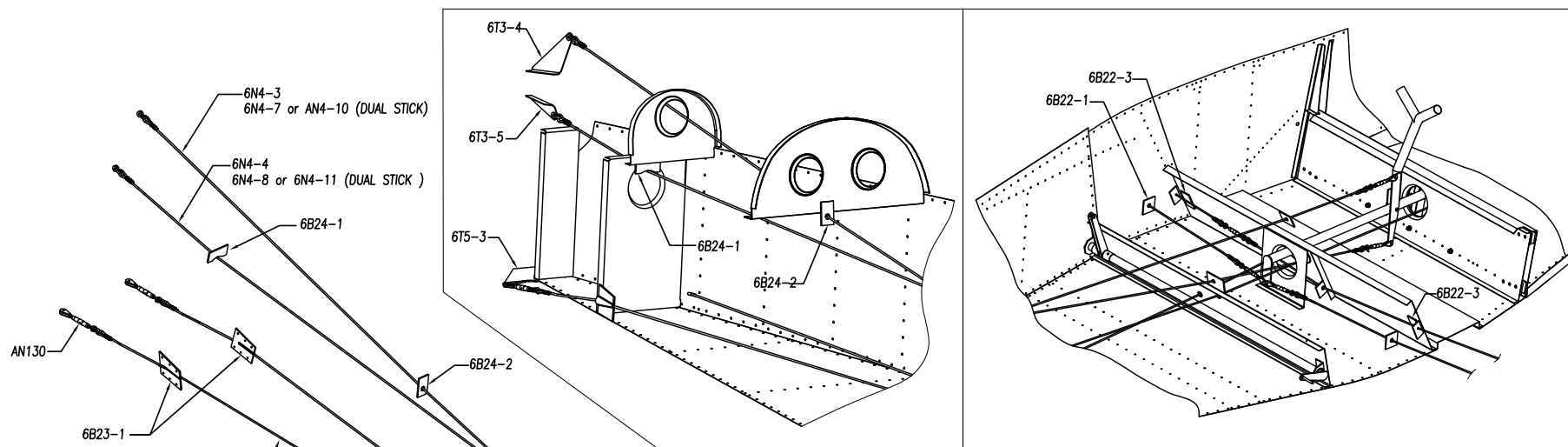
ZODIAC  
CH 650 B

FLAP CONTROL  
PARTS: 6-B-19

6-XB-18

Copyright© 2010 CHRIS HEINTZ

DATE: 09/2010



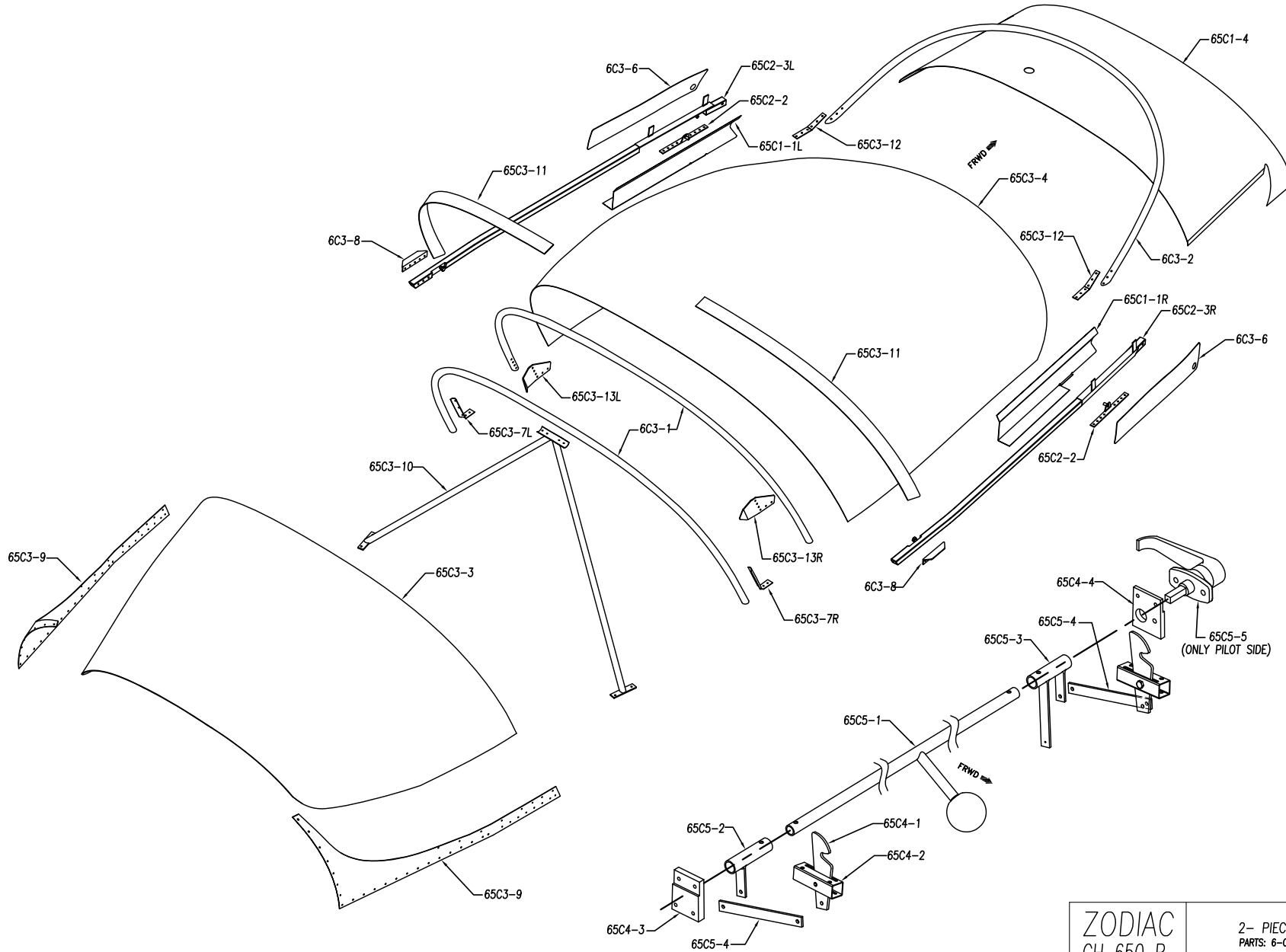
- SWAGED CABLE OPTION**
- 6N4-1 PILOT SIDE RUDDER CABLE
  - 6N4-2 PASSENGER SIDE RUDDER CABLE
  - 6N4-3 UPPER ELEVATOR CABLE
  - 6N4-4 LOWER ELEVATOR CABLE
  - 6N4-5AILERON CABLE
  
  - 6N4-6AILERON BALANCE CABLE
  - 6N4-7 UPPER ELEVATOR CABLE
  - 6N4-8 LOWER ELEVATOR CABLE
  - 6N4-9AILERON BALANCE CABLE
  

**FAIRLEADS**

    - 6B22-1AILERON FAIRLEAD
    - 6B22-2SIDE BALANCE FAIRLEAD
    - 6B22-4MIDDLE BALANCE FAIRLEAD
    - 6B23-1RUDDER CABLE OUTLET FAIRLEAD
    - 6B23-2RUDDER & UPPER ELE. FAIRLEAD
    - 6B23-3RUDDER C. F. ON CENTER SPAR
    - 6B23-4RIGHT RUDDER FAIRLEAD
    - 6B24-1LOWER ELEVATOR CABLE FAIRLEAD
    - 6B24-2UPPER ELEVATOR CABLE FAIRLEAD
    - 6B24-3FRONT LOWER ELEVATOR FAIRLEAD
  

**TURNBUCKEL ASS'Y**

      - AN140TURNBUCKLE (EYE-EYE)
      - AN130TURNBUCKLE (FORKEND-EYE)

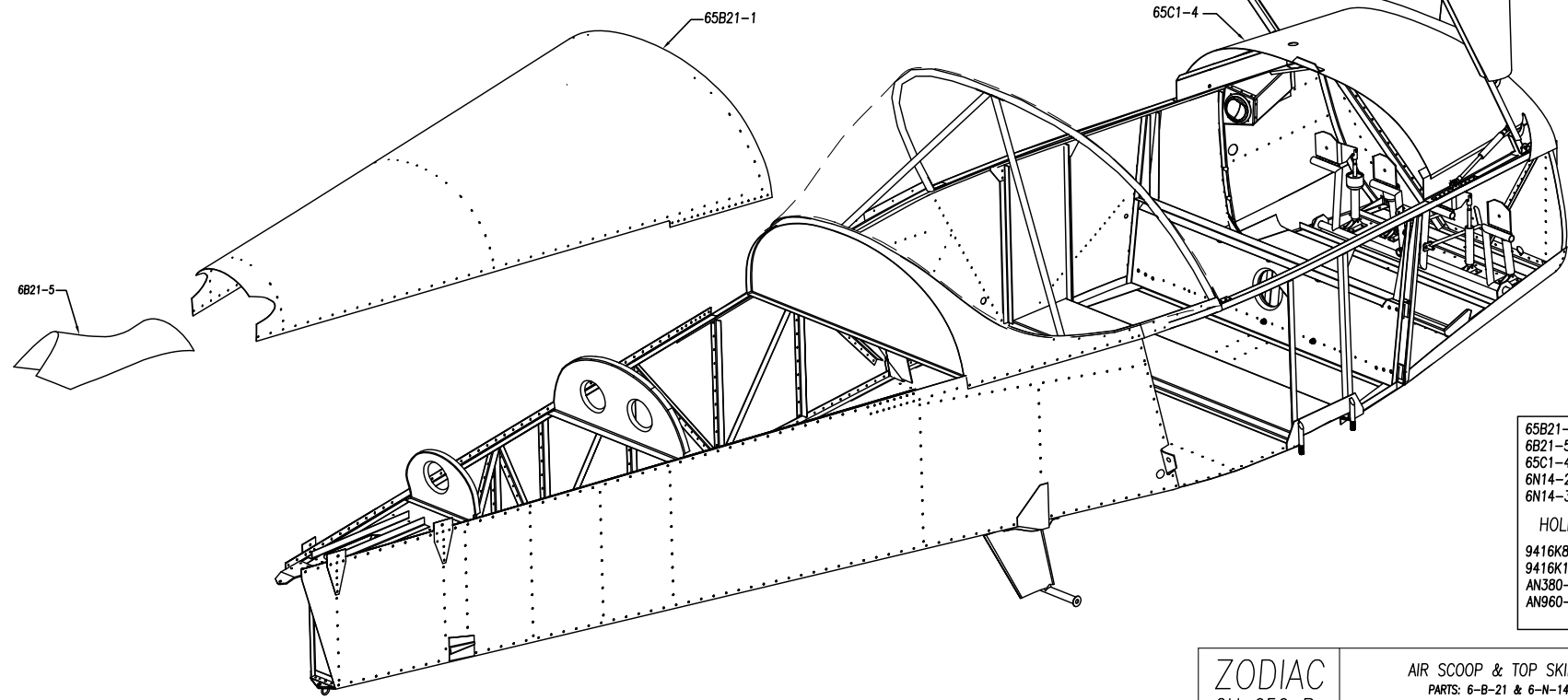
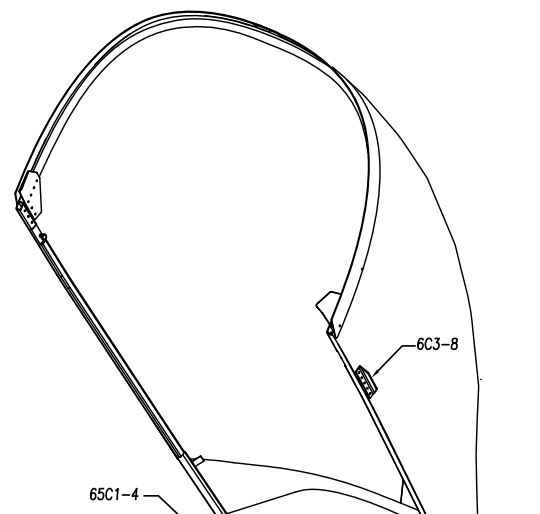
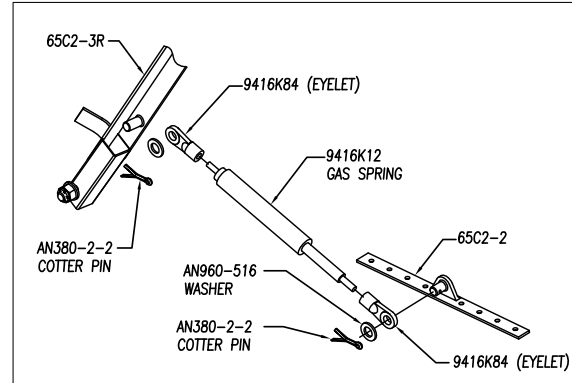
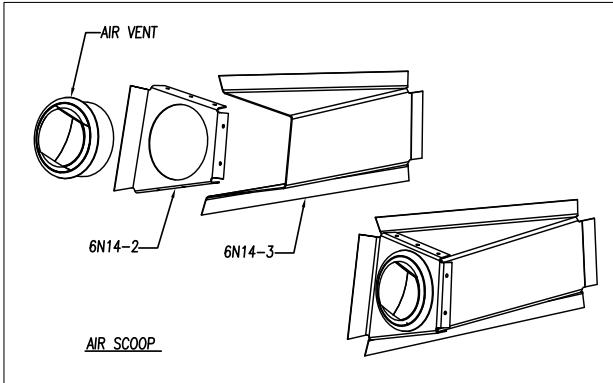


- 65C1-1 PANEL SIDE ANGLE
- 65C1-4 FORWARD TOP SKIN
- 65C2-2 BOTTOM BRACKET
- 65C2-3 CANOPY SIDE FRAME
- 6C3-1 REAR CANOPY FRAME
- 6C3-2 FRONT CANOPY FRAME
- 65C3-3 REAR CANOPY
- 65C3-4 FRONT CANOPY
  
- 6C3-6 SIDE COVER
- 65C3-7 REAR CANOPY GUSSET
- 6C3-8 EXTRUSION HANDLE
- 65C3-9 REAR CANOPY SKIN
- 65C3-10 ROLL BAR
- 65C3-11 FRONT CANOPY STRIP
- 65C3-12 FRONT CANOPY FRAME GUSSET
- 65C3-13 FRONT CANOPY BRACKET
  
- 65C4-1 CANOPY LATCH
- 65C4-2 EXTRUSION LATCH HINGE
- 65C4-3 ROD BEARING (RIGHT)
- 65C4-4 ROD BEARING (LEFT)
  
- 65C5-1 MIDDLE CANOPY LOCK TUBE
- 65C5-2 OUTBOARD TUBE (RIGHT)
- 65C5-3 OUTBOARD TUBE (LEFT)
- 65C5-4 ARM
- 65C5-5 HANDLE

ZODIAC  
CH 650 B

2-PIECE CANOPY  
PARTS: 6-C-1 TO 6-C-5

6-XC-20



65B21-1	REAR TOP SKIN
6B21-5	SADDLE
65C1-4	FORWARD TOP SKIN
6N14-2	END CAP
6N14-3	SCOOP BODY
HOLD OPEN CYLINDER	
9416K84	EYELET
9416K12	GAS SPRING
AN380-2-2	COTTER PIN
AN960-516	WASHER

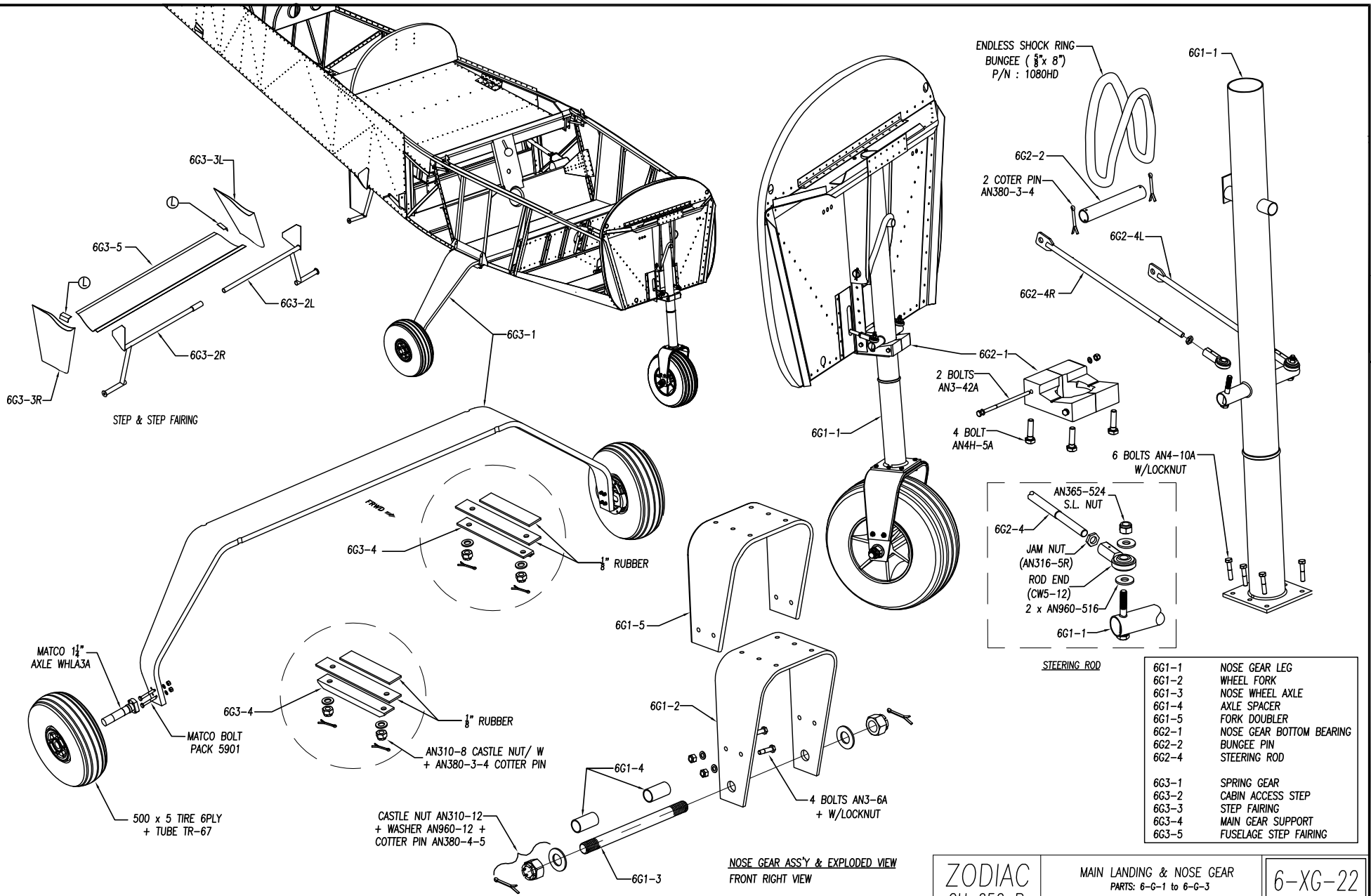
ZODIAC  
CH 650 B

AIR SCOOP & TOP SKINS  
PARTS: 6-B-21 & 6-N-14

6-XC-21

Copyright© 2010 CHRIS HEINTZ

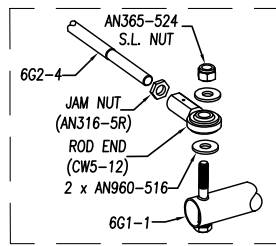
DATE: 09/2010



ENDLESS SHOCK RING  
BUNGEE (3/8" x 8")  
P/N : 1080HD

STEP & STEP FAIRING

Nose Gear Ass'y & Exploded View  
FRONT RIGHT VIEW



STEERING ROD

- |       |                          |
|-------|--------------------------|
| 6G1-1 | Nose Gear Leg            |
| 6G1-2 | Wheel Fork               |
| 6G1-3 | Nose Wheel Axle          |
| 6G1-4 | Axle Spacer              |
| 6G1-5 | Fork Doubler             |
| 6G2-1 | Nose Gear Bottom Bearing |
| 6G2-2 | Bungee Pin               |
| 6G2-4 | Steering Rod             |
| 6G3-1 | Spring Gear              |
| 6G3-2 | Cabin Access Step        |
| 6G3-3 | Step Fairing             |
| 6G3-4 | Main Gear Support        |
| 6G3-5 | Fuselage Step Fairing    |

ZODIAC  
CH 650 B

MAIN LANDING & NOSE GEAR  
PARTS: 6-G-1 to 6-G-3

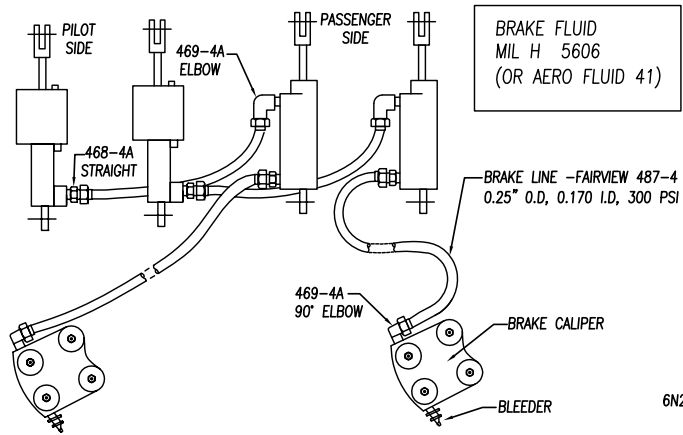
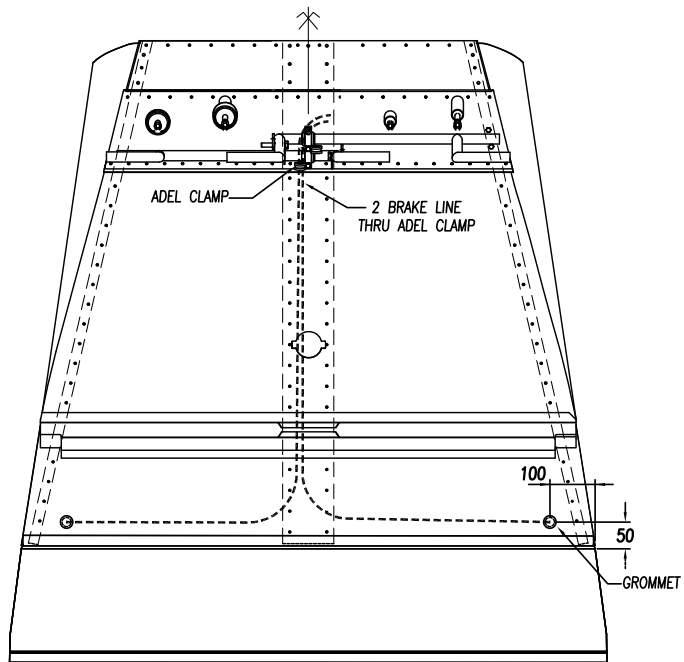
6-XG-22

Copyright© 2010 CHRIS HEINTZ

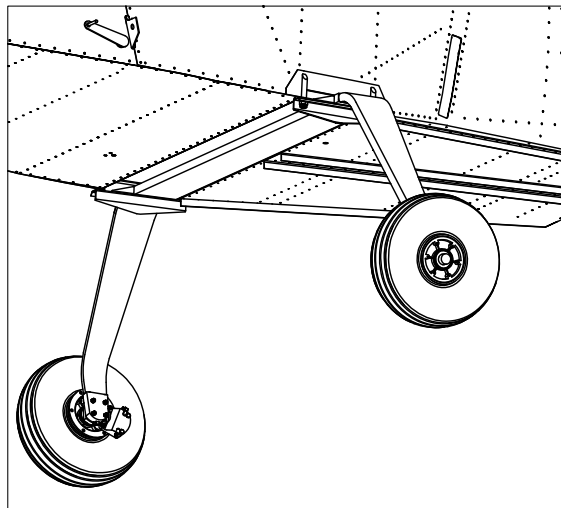
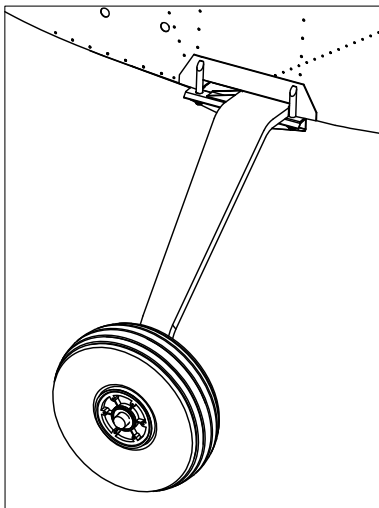
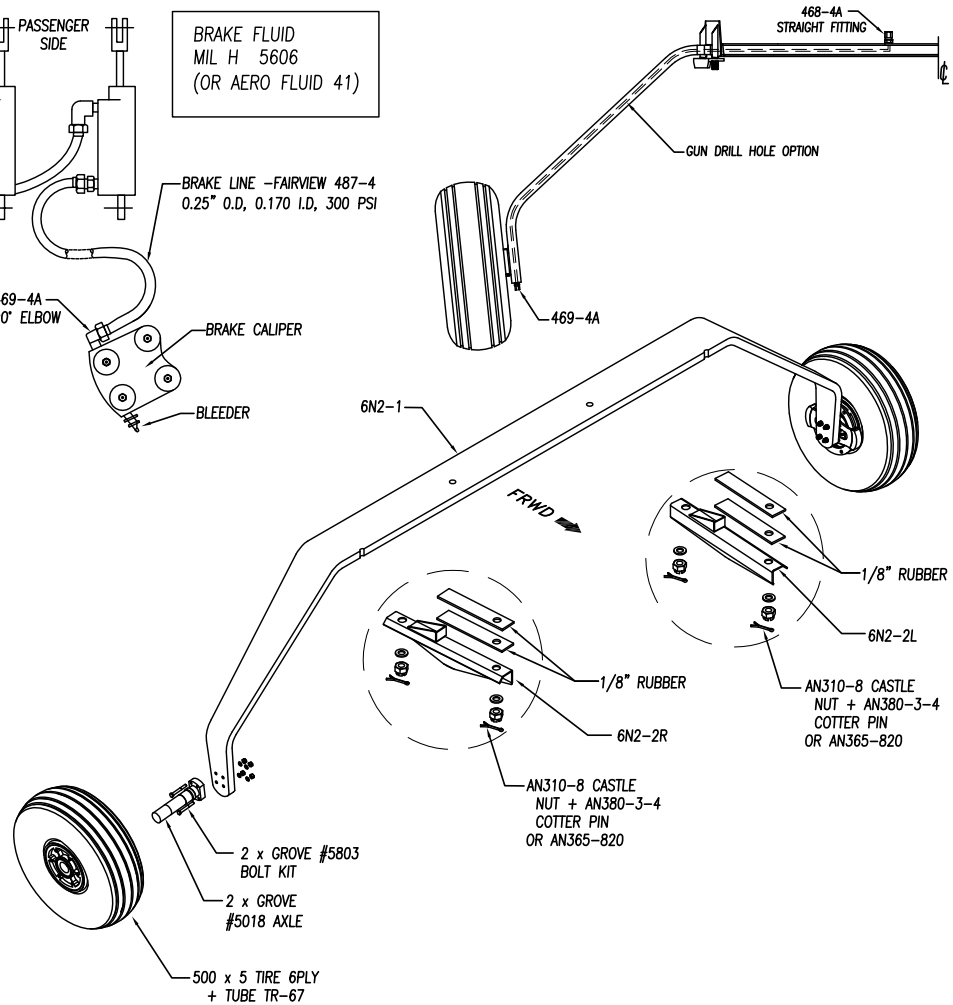
DATE: 09/2010







BRAKE FLUID  
MIL H 5606  
(OR AERO FLUID 41)



6N2-1 OPTIONAL GROVE MAIN GEAR SPRING  
6N2-2 GROVE MAIN GEAR SUPPORT

ZODIAC  
CH 650 B

GROVE GEAR & DUAL BRAKE OPTION  
PARTS: 6-N-2

6-XN-24

Copyright© 2010 CHRIS HEINTZ

DATE: 09/2010